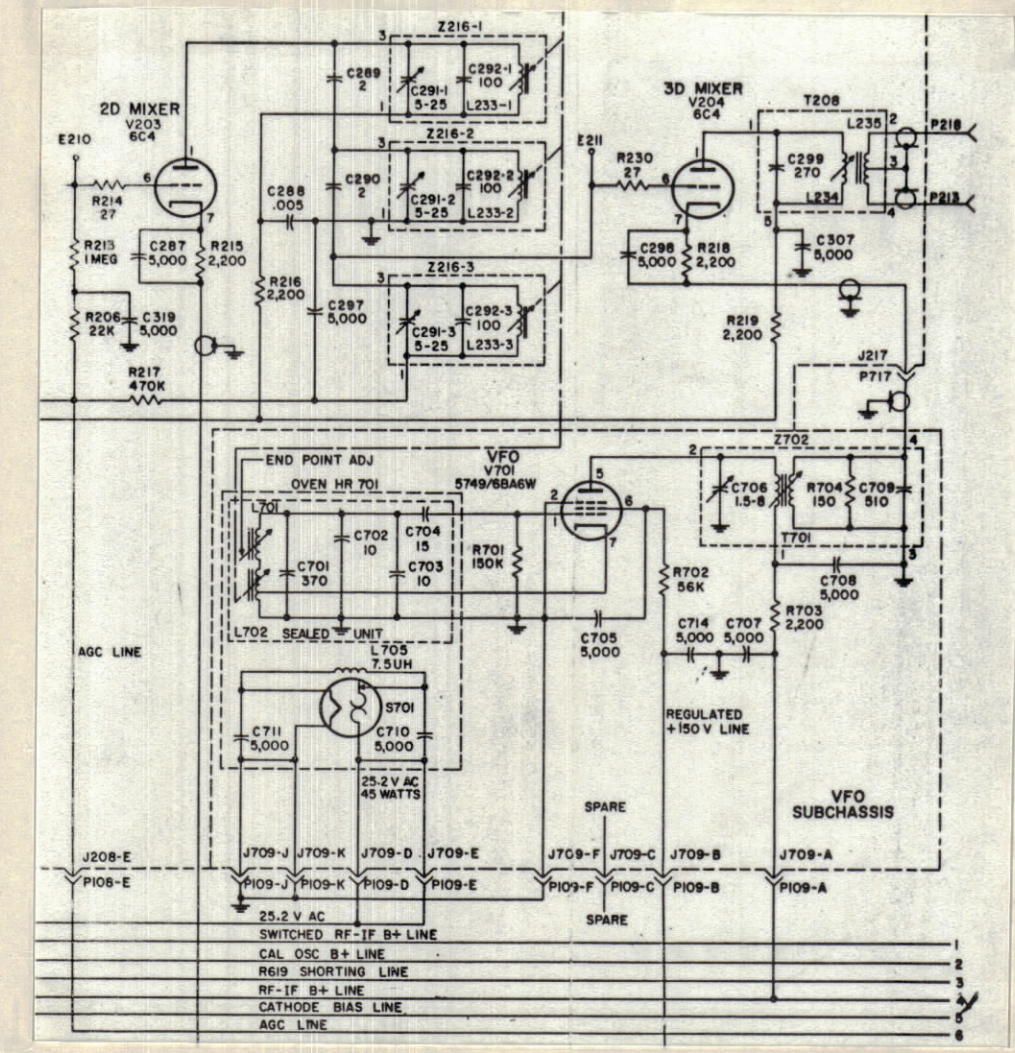


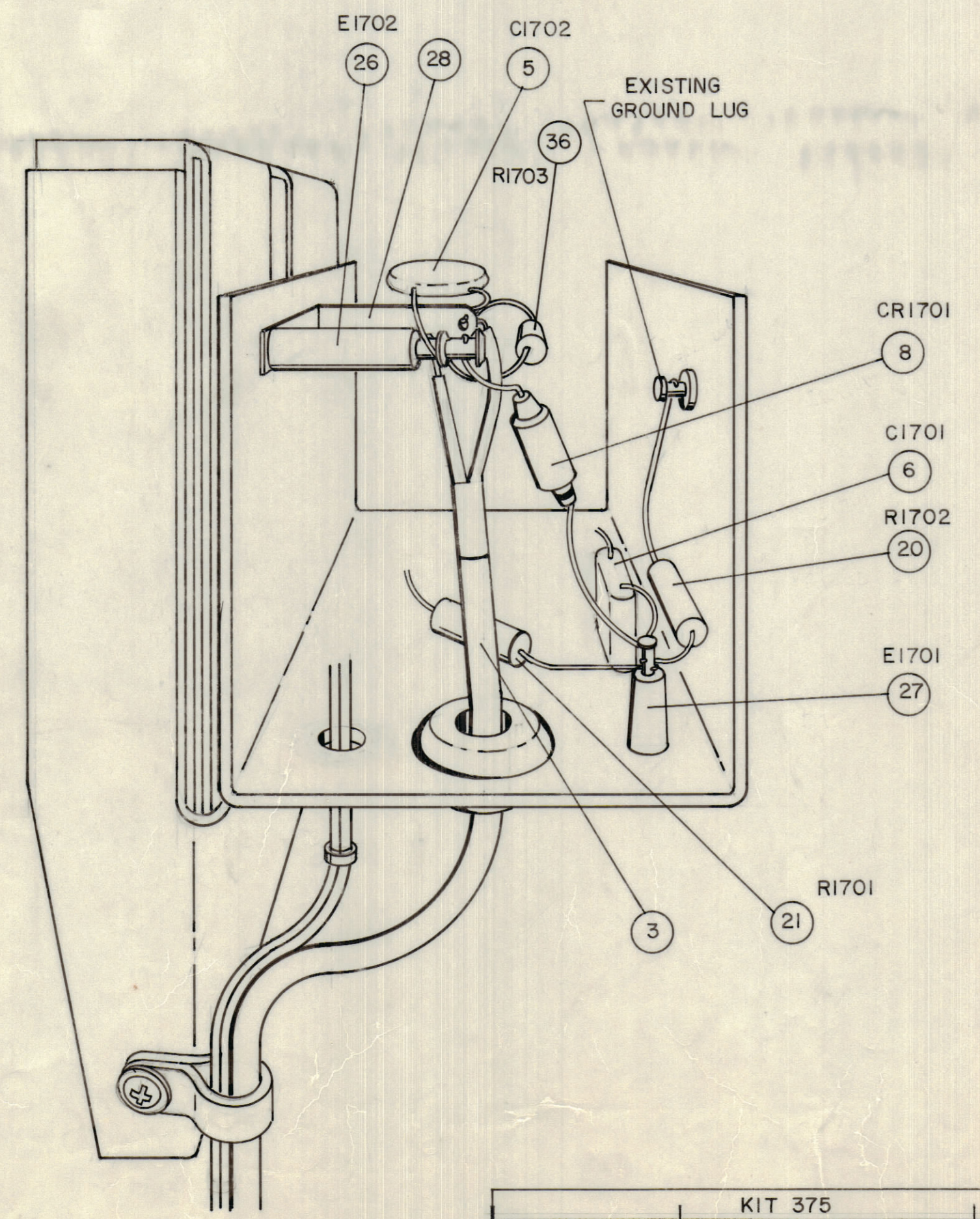
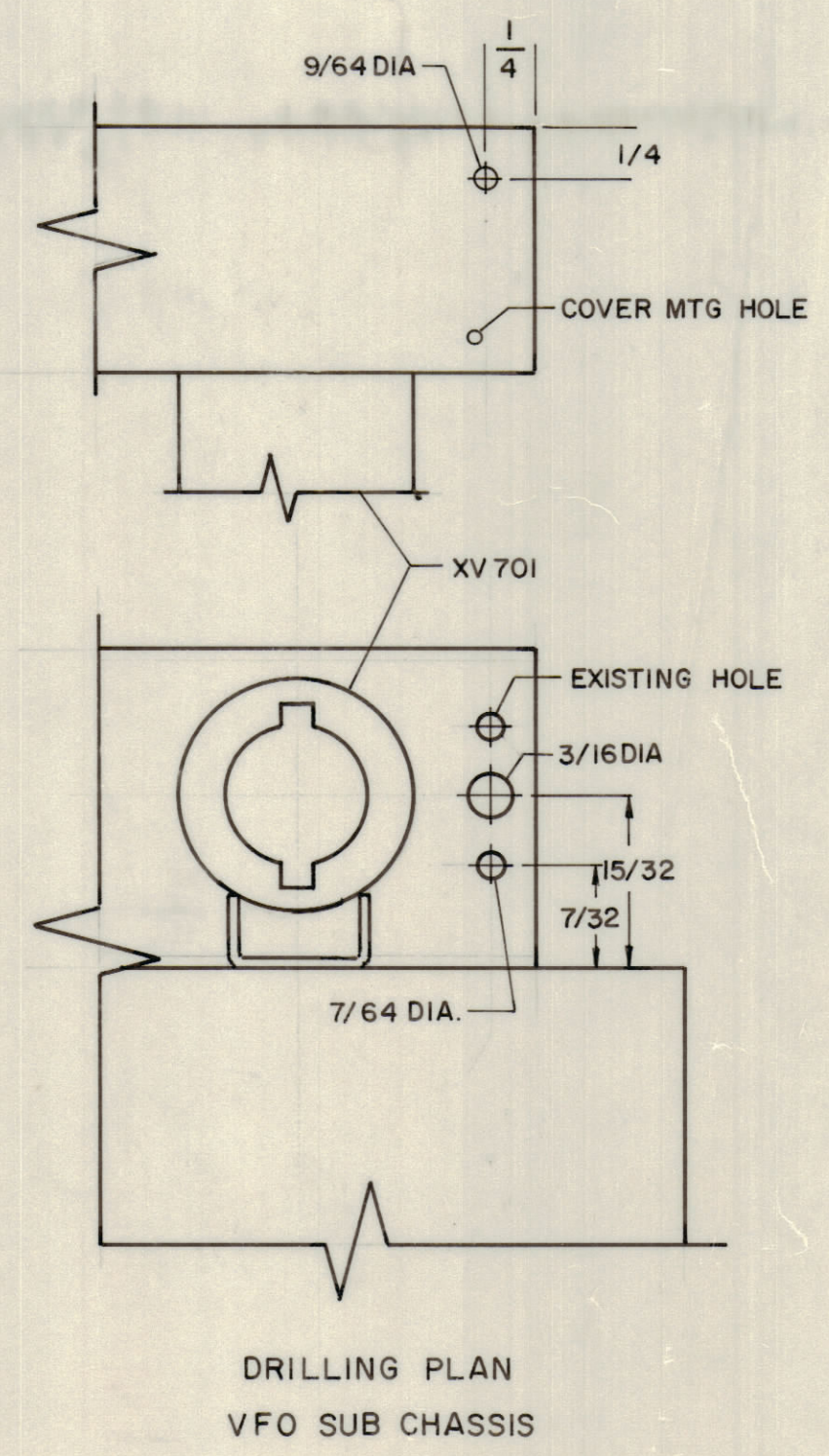
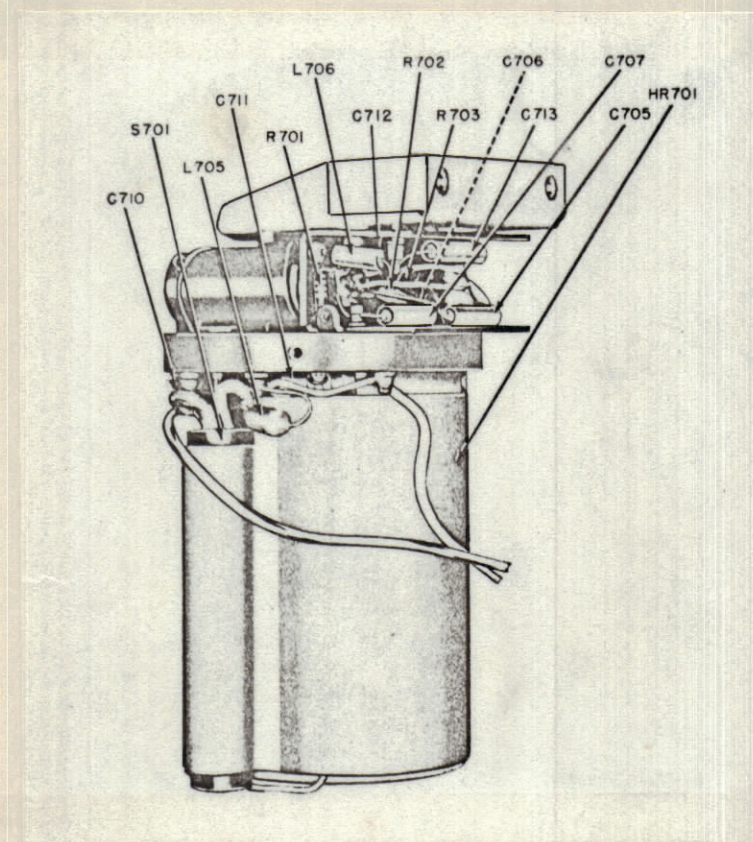
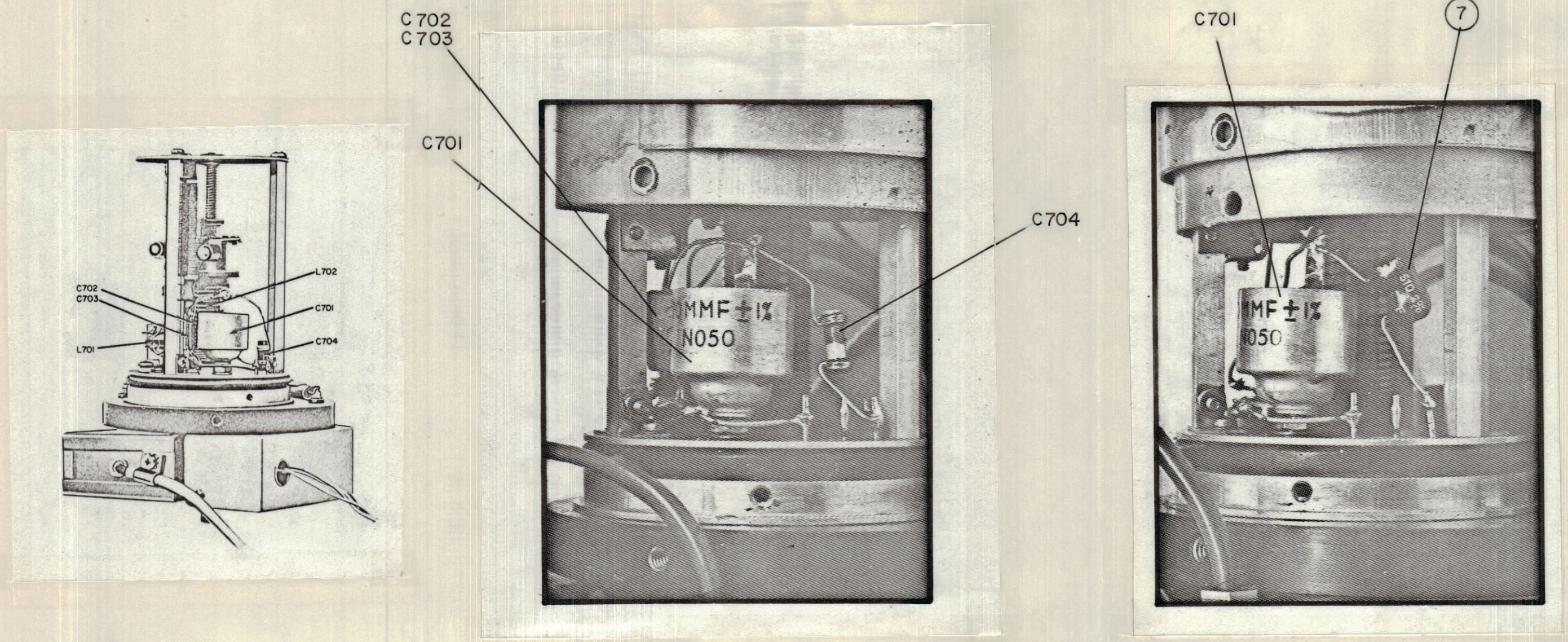
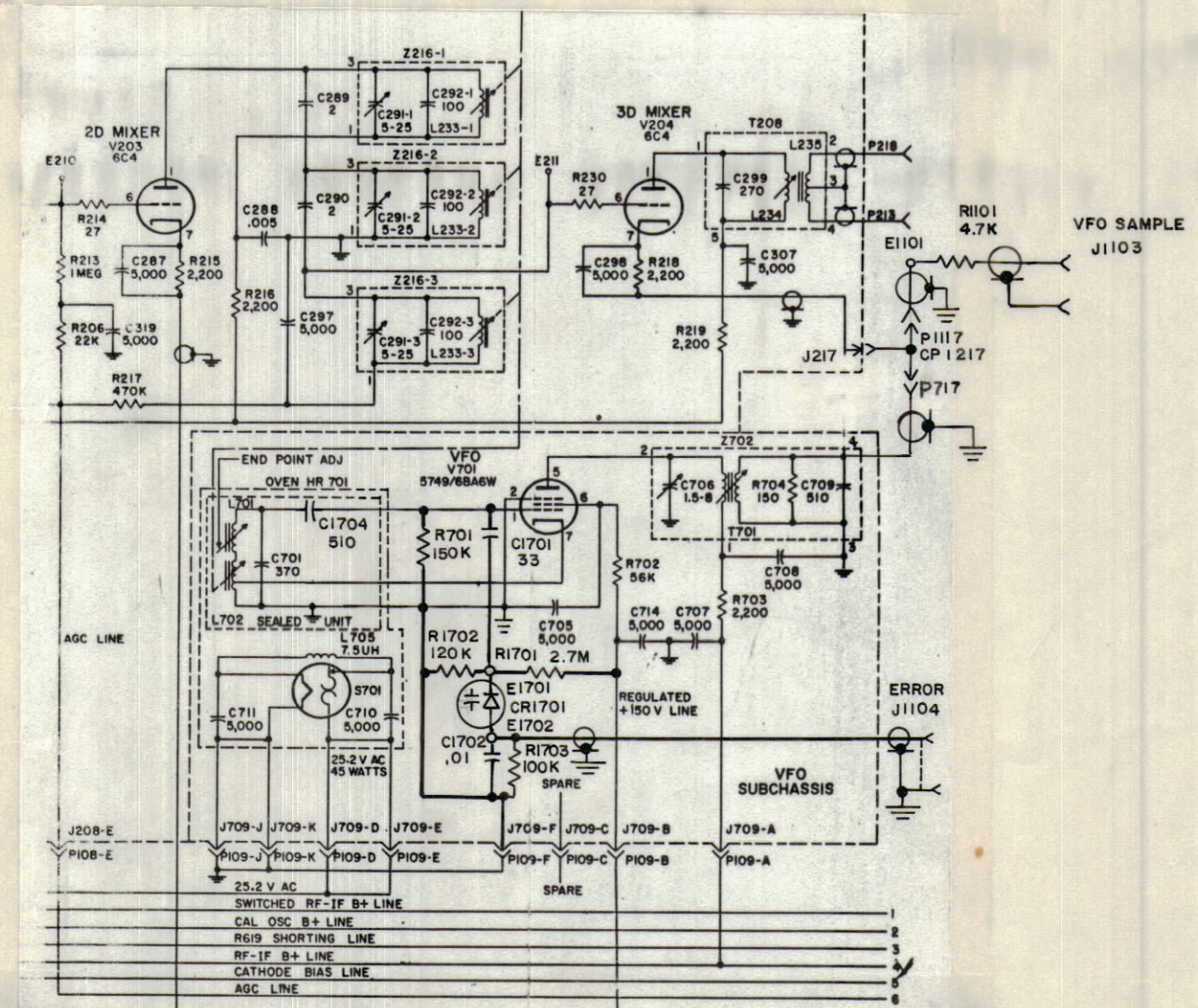
REVISIONS							
E.M.N.O	DRAFT	CHKD	ZONE	LTR	DESCRIPTION	DATE	APPROVED
	0			Ø	ORIGINAL RELEASE FOR PRODUCTION	3/29/73	
21069	CE	Ø		A	ADD R1703 IT 36 TO SCHEM. & PICT.	4/25/73	Ø

REFER TO TM11-856A FIG 106

BEFORE MODIFICATION



AFTER MODIFICATION



DRILLING PLAN
VFO SUB CHASSIS

KIT 375		
QTY / UNIT	MODEL USED ON	ASSY NO.
APPLICATION		
CODE		
<small>NOTICE TO PERSONS RECEIVING THIS DRAWING</small> <small>THE TECHNICAL MATERIEL CORPORATION claims proprietary right in the material disclosed hereon. This drawing is issued in confidence for engineering information only and may not be reproduced or used to manufacture anything shown hereon without permission from THE TECHNICAL MATERIEL CORPORATION to the user. This drawing is loaned for mutual assistance and is subject to recall at any time.</small>		

UNLESS OTHERWISE SPECIFIED DIMENSIONS ARE IN INCHES AND INCLUDE CHEMICALLY APPLIED OR PLATED FINISHES	FINAL APPROVAL	DATE
TOLERANCES ON	MECH. DES.	DATE
DECIMALS	ELECT. DES.	DATE
FRACTIONS	CHECKED	DATE
ANGLES	DRAWN	DATE
XXX ± .005	EVANGELIST	3/26/73
MATERIAL		
FINISH		

QTY. REQ.	ITEM	PART NO.	DESCRIPTION	SYMBOL
LIST OF MATERIAL				
THE TECHNICAL MATERIEL CORP. MAMARONECK, NEW YORK				
INSTALLATION DRAWING VFO MODIFICATION R390A/URR				
SIZE	CODE	IDENT NO.	DWG NO.	ISSUE
D		82679	ID 422	A
SCALE				SHEET OF