

8

7

6

5

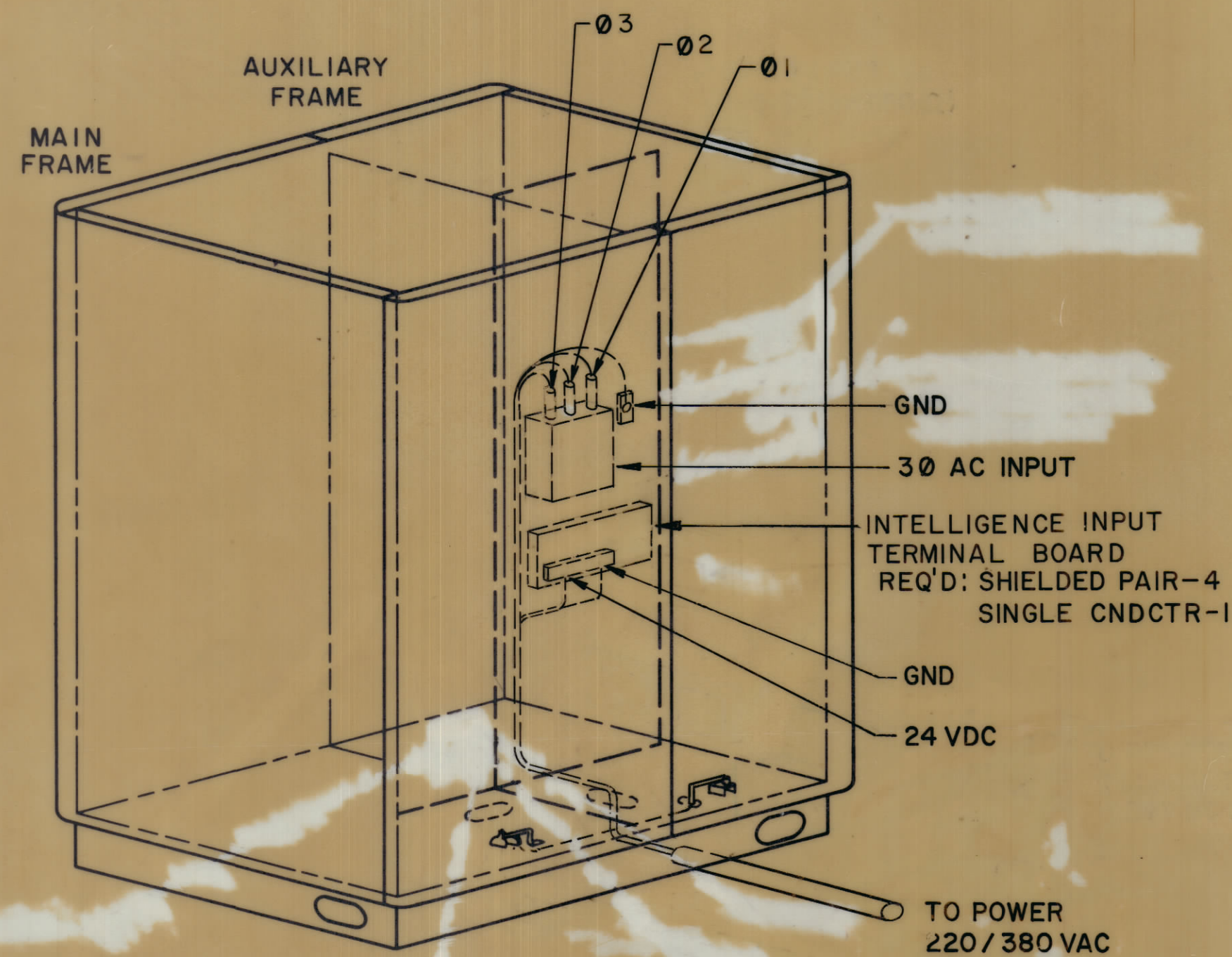
4

3

2

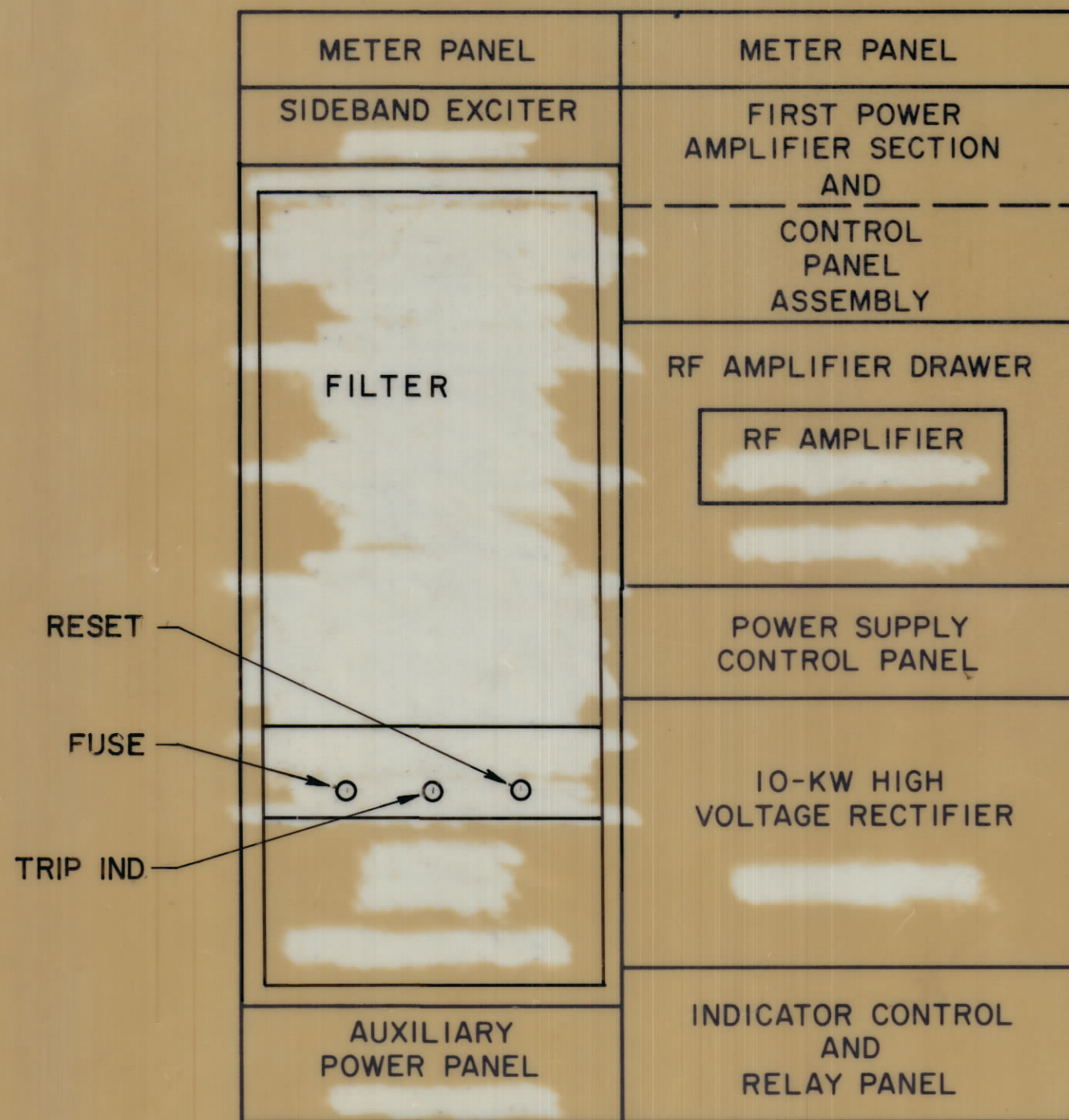
1

REVISIONS						
ZONE	LTR	DESCRIPTION	DATE	E.M.N. NO	DRAFT	CHKD APPD
	A	CHK. PHASES & IL. 3 & 4 ON CRATED DATA QUOTE PK	5/17/71	20352	R/T	W PEB



UNIT PHYSICAL DATA		
NOMENCLATURE	WEIGHT	DIMENSIONS INCHES
	lbs	L X W X H
AX5123 AUXILIARY FRAME	385	21 X 38-5/8 X 72
AX5124 MAIN FRAME	835	32 X 38-5/8 X 72
AX 103 HIGH VOLTAGE RECTIFIER DRAWER	76	28 3/4 X 16 3/4 X 10 3/4
SIDEBAND EXCITER	17	19 X 14 - 3/4 X 5 - 1/4

CRATED DATA				
CRATE NO.	NOMENCLATURE	WEIGHT	DIMENSIONS INCHES	CUBIC
		lbs	L X W X H	FEET
1	ASSORTED ITEMS	188	32 X 23-7/8 X 30-3/4	13.4
2	MOUNTING BASE WITH SHIELD	234	56-3/4 X 40-1/8 X 8	10.5
3	AX5123 AUXILIARY FRAME	768	82-1/8 X 50-1/4 X 32-1/4	77.0
4	AX5124 MAIN FRAME	1298	81-3/8 X 42 X 51-1/2	101.9
5	TF-203 POWER TRANSFORMER	536	28-3/4 X 19-3/4 X 24	7.9
6	AX 103 HIGH VOLTAGE RECTIFIER DRAWER	233	40 X 30 3/4 X 22	15.7
7	EXTERIOR COVERS & TRIM STRIPS	643	77 5/8 X 27 1/2 X 44 1/2	54.7



**POWER REQUIREMENTS**

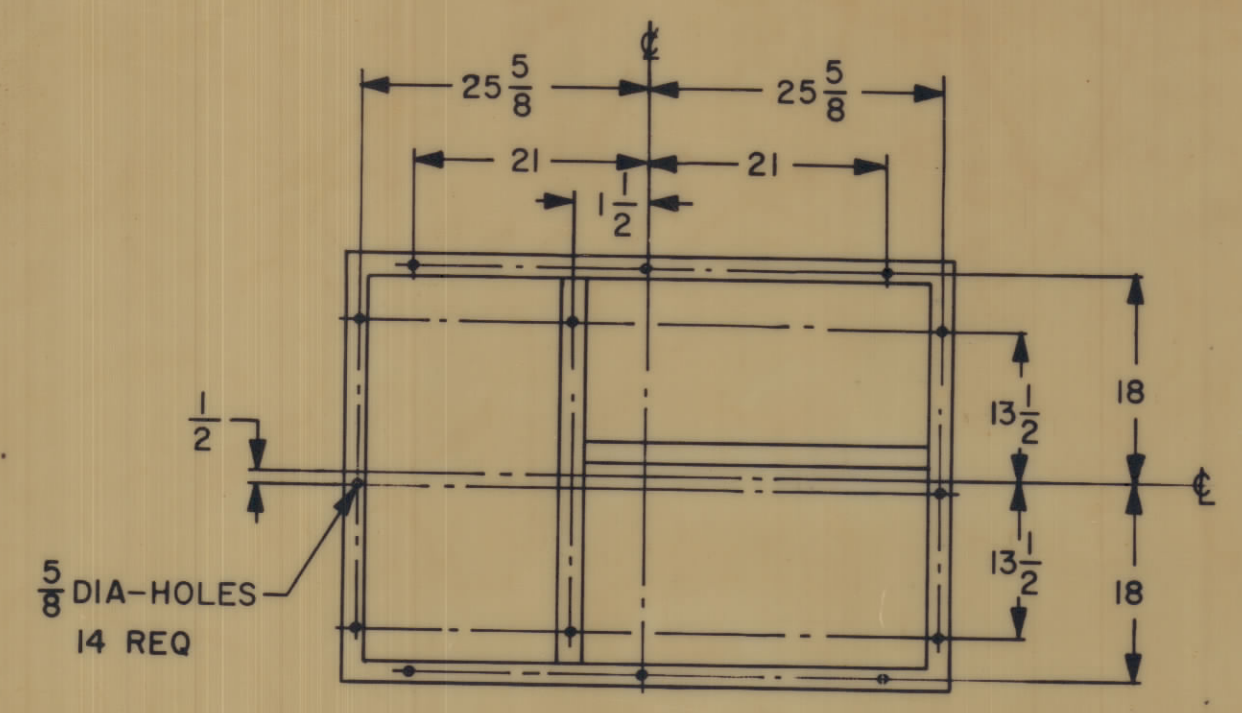
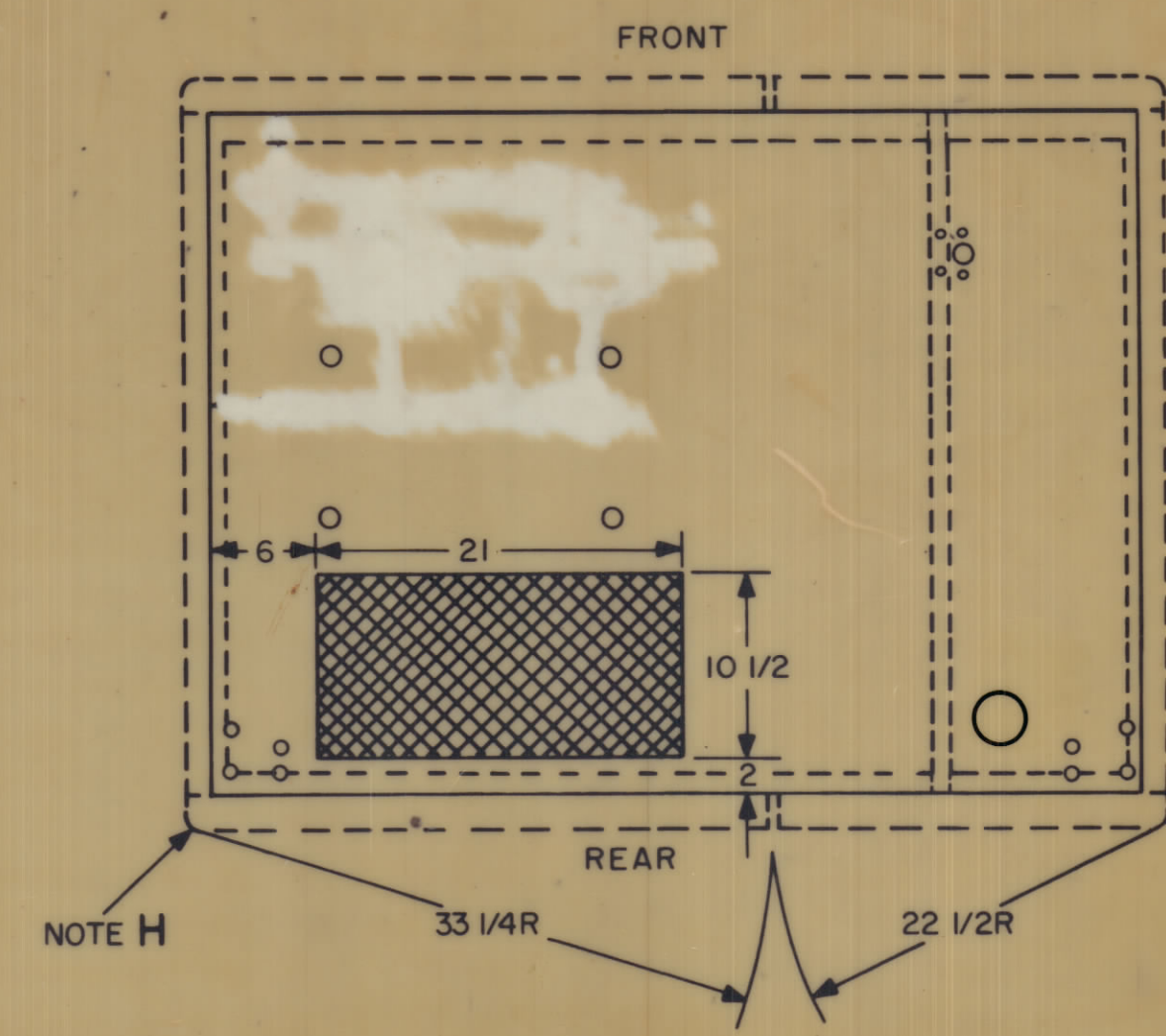
POWER INPUT - 100/60 A PER LEG  
 VOLTAGE - 220 / 380V AC  
 PHASE - 3 Ø  
 FREQUENCY - 50 Hz ± 5 %  
 HEAT DISSIPATION - 20 KW  
 AMBIENT TEMP RANGE - 0° TO 50° C  
 INTAKE AIR - 594 CFM  
 EXHAUST AIR - 587 CFM  
 WEIGHT - 2800 lbs

DRAWN <i>[Signature]</i>	TRACED <i>[Signature]</i>	CHECKED <i>[Signature]</i>	APPROVED ENG. R <i>[Signature]</i>	DATE / /	PROJ. APPROVED	DATE / /	REPLACE DRWG. N°	DATE	DRAWING NUMBER	REPLACED BY DRWG N°	DATE	SCALES	SHEET	OF	
PAGE EUROPA S.p.A. ROME ITALY		TRANSMITTING SET, RADIO GPTM-IOKLA INPUT POWER DETAILS													
								ID 383 A		NONE		1		3	
PORTUGAL NATO		SECRETARIADO DA DEFESA NACIONAL C.E.I.-OTAN				C.E.O.M.E.		ARQUIVO GEOME DES N°		FOLHA		DE		SUBSTITUE O N°	
VIII-IX-XI SLICES		IBERLANT						SUBSTITUIDO PELO N°							
CONFERIDO		/ /												CLASSIF. DE SEGURANÇA	
APROVADO		/ /													

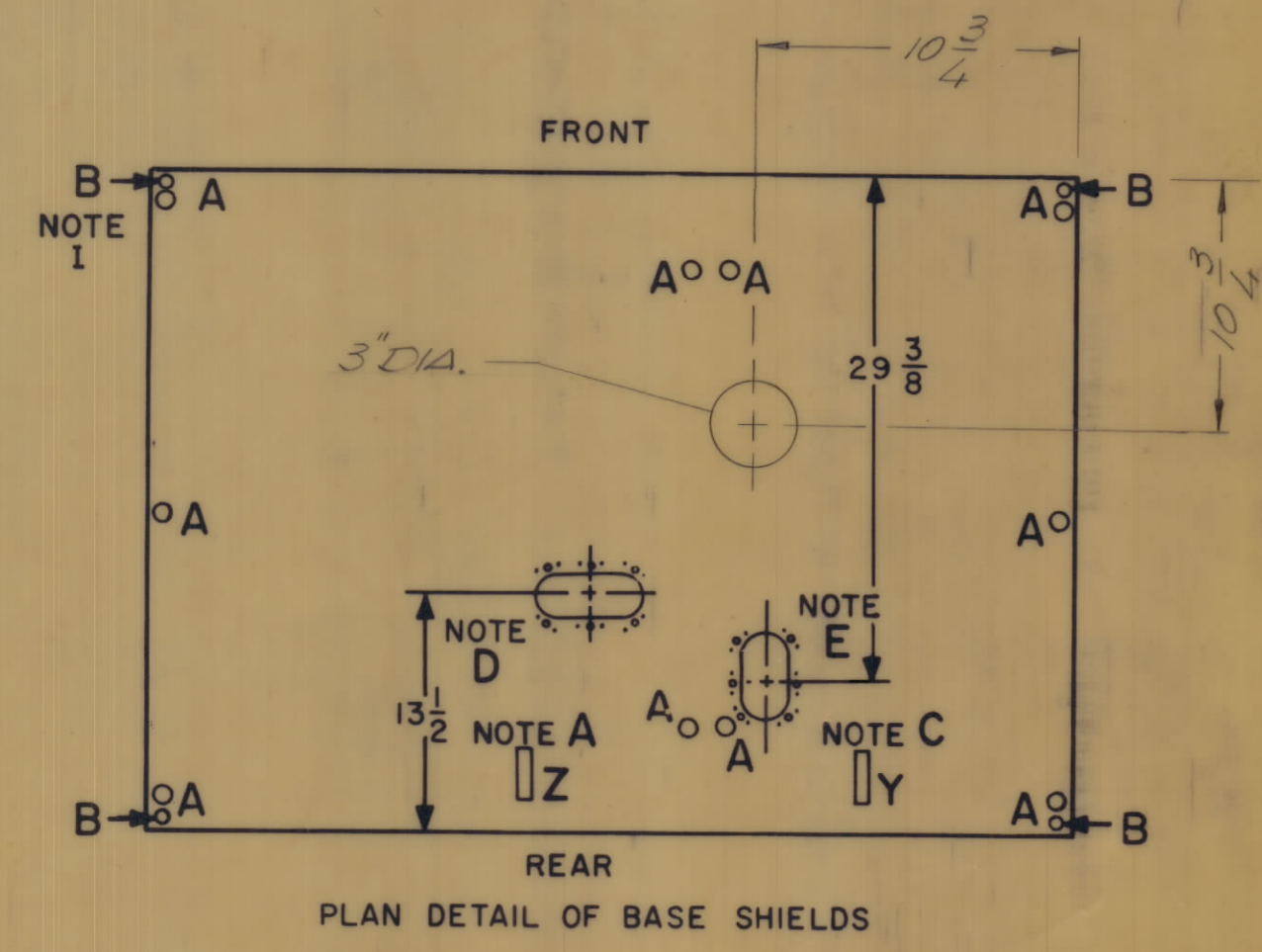
8 7 6 5 4 3 2 1

REVISIONS							
ZONE	LTR	DESCRIPTION	DATE	E. M. N. NO	DRAFT	CHKD	APPD
	A	CHG. DIM. ON RF OUT PUT CQNN.	5/17/71	20352	RZ	U	PJL

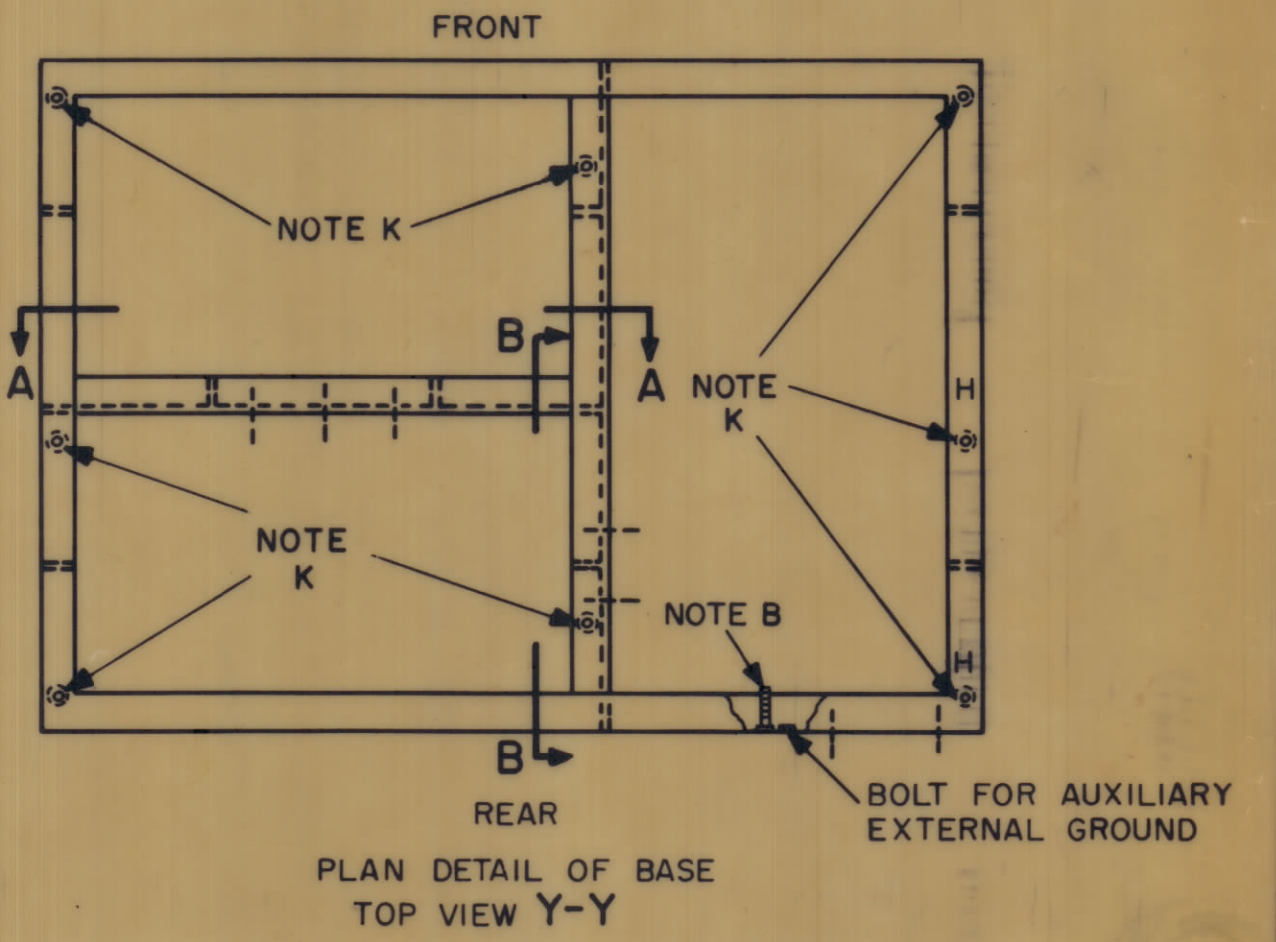
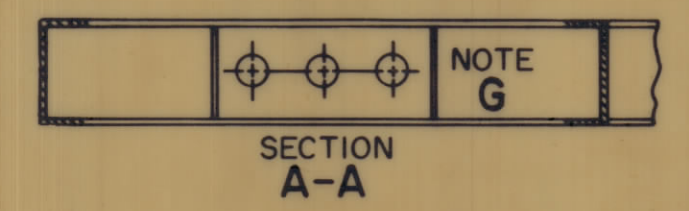
PLAN DETAIL OF TOP COVER  
VIEW X-X



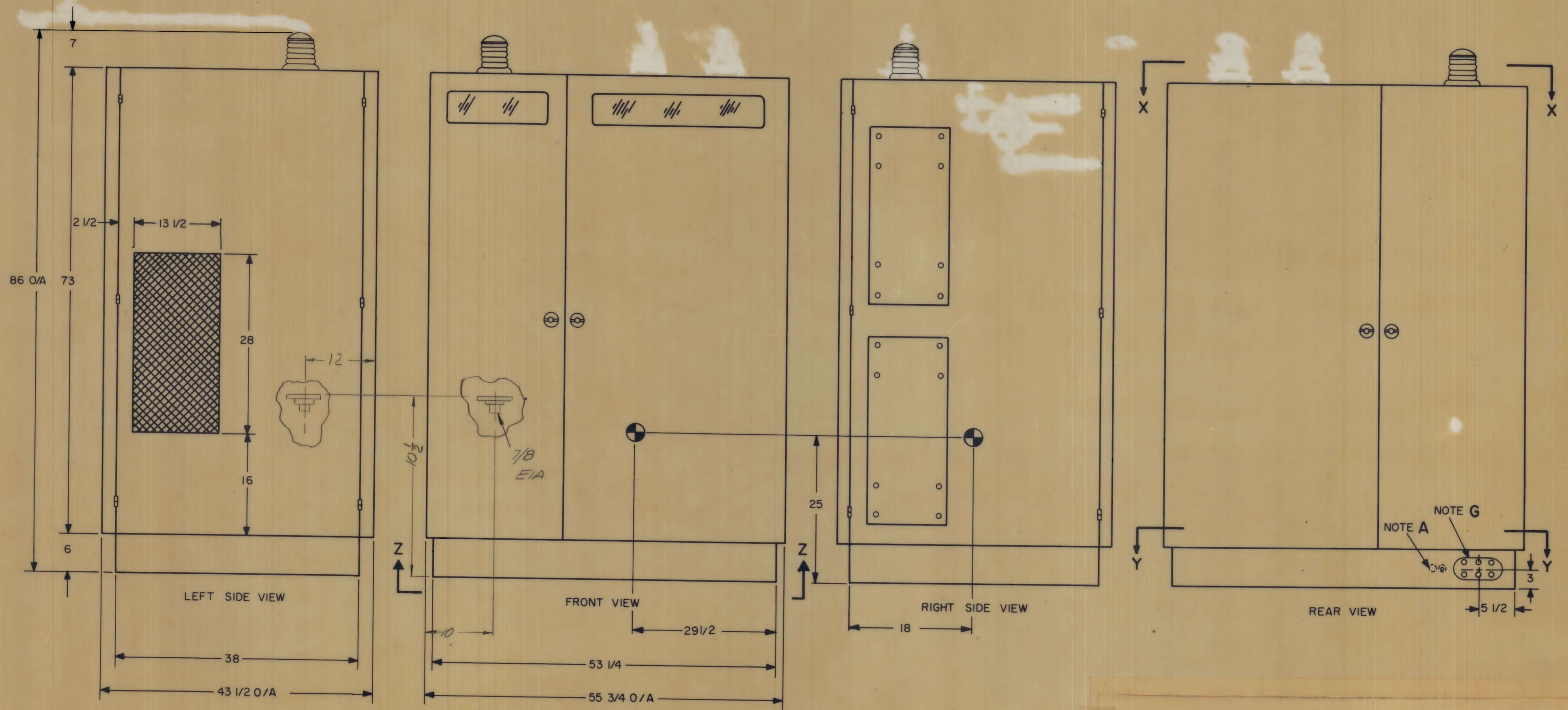
PLAN DETAIL OF BASE  
BOTTOM VIEW Z-Z



PLAN DETAIL OF BASE SHIELDS



PLAN DETAIL OF BASE  
TOP VIEW Y-Y



- NOTES:
- A- ACCESS HOLE FOR GROUND LEAD TO MAIN FRAME CHASSIS.
  - B- BOLT FOR TRANSMITTER GROUND.
  - C- ACCESS HOLE FOR GROUND LEAD TO AUXILIARY FRAME CHASSIS.
  - D- ACCESS HOLE FOR 220V 3-PHASE 60 CYCLE POWER INPUT TO MAIN FRAME.
  - E- ACCESS HOLE FOR SIGNAL CONDUCTORS INTERCONNECTING TEST EQUIPMENT ON AUXILIARY FRAME TO CIRCUITS EXTERNAL TO TRANSMITTER.
  - F- ACCESS HOLE FOR SIGNAL CONDUCTORS INTERCONNECTING TEST EQUIPMENT ON AUXILIARY FRAME TO CIRCUITS EXTERNAL TO TRANSMITTER.
  - G- ACCESS HOLE AUXILIARY TO D AND E.
  - H- FRONT AND REAR DOOR SWINGS ARE IDENTICAL.
  - I- B HOLES FOR MOUNTING BASE SHIELD TO BASE.
  - J- ACCESS HOLE FOR GROUND LEAD TO MAIN FRAME CHASSIS.
  - K- A HOLES FOR MOUNTING FRAMES TO BASE.

DRAWN <i>[Signature]</i>	PAGE EUROPA S.p.A. ROME ITALY	
CHECKED <i>[Signature]</i>	TRANSMITTING SET, RADIO GPTM-10KLA ELEVATION AND DETAILS	
APPROVED ENG. R <i>[Signature]</i>	DATE	DRAWING NUMBER ID 383 A
DATE	REPLACE DRWG. N°	REPLACED BY DRWG N°
DATE	DATE	SCALES
DATE	DATE	NO. OF SHEETS 2 OF 3
DATE	DATE	CLASSIF. DE SEGURANCA
DATE	DATE	CLASSIF. DE SEGURANCA

D

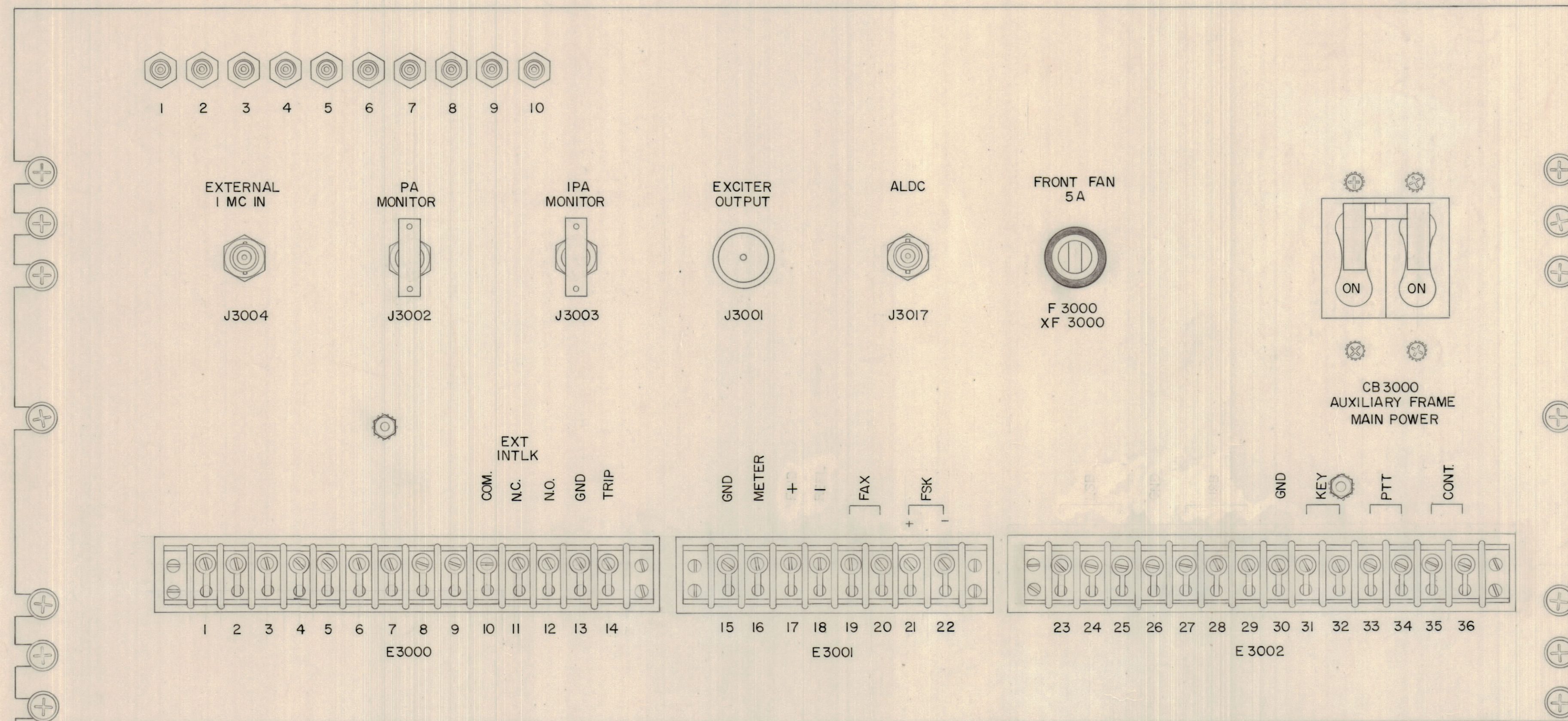
C

B

A

8 7 6 5 4 3 2 1

REVISIONS							
E.M.N.O.	DRAFT	CHKD	ZONE	LTR	DESCRIPTION	DATE	APPROVED
20352	RZ	U		A	CHG. TERM. TO +- 0NÉ 3001, DELE. LSB, USB 16RQON E3002	5-19-71	



INTELLIGENCE INPUT TERMINAL BOARD

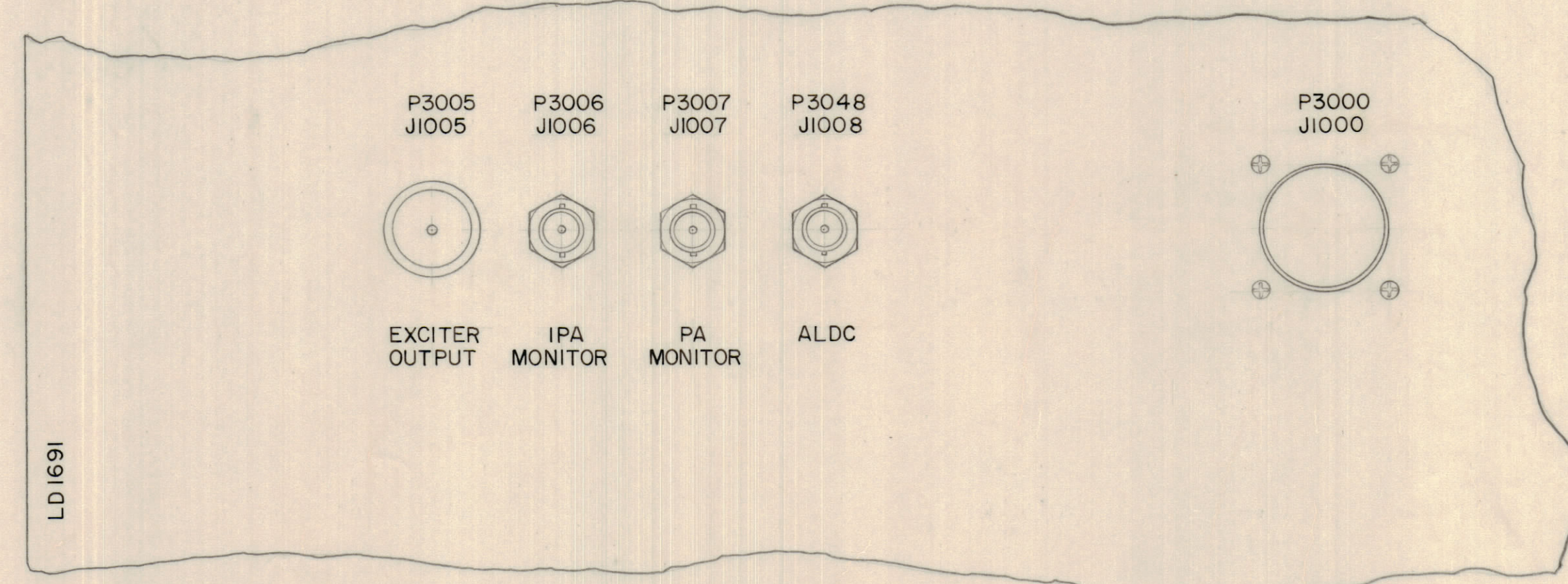
TRANSMITTER TO PATCH PANEL

NOMENCLATURE	JACK NO.	PLUG TYPE	VOLTAGE LEVEL
* EXT. IMC IN	J3004	BNC	1 VRMS
PA MONITOR	J3002	BNC	
IPA MONITOR	J3003	BNC	
EXCITER OUT.	J3001	TYPE N	100 MILLIWATT (MIN)
ALDC	J3017	BNC	0-II VDC

PATCH PANEL TO TRANSMITTER

NOMENCLATURE	JACK NO.	PLUG TYPE	VOLTAGE LEVEL
EXCITER OUT.	J1005	TYPE N	100 MILLIWATT (MIN)
IPA MONITOR	J1006	BNC	
PA MONITOR	J1007	BNC	
ALDC	J1008	BNC	0-II VDC

\* EXCITER IMC INTERNAL / EXTERNAL SWITCH MUST BE IN EXTERNAL POSITION FOR EXTERNAL IMC INPUT



LEFT SIDE SHIELD

DRAWN <i>G. EVANGELIST</i> TRACED CHECKED APPROVED ENG R DATE PROJ. APPROVED DATE REPLACE DRWG. N° REPLACED BY DRWG N°	PAGE EUROPA S.p.A. ROME ITALY <b>TRANSMITTING SET, RADIO GPTM-IOKLA</b> <b>SIGNAL INPUT CONNECTIONS</b> DATE DRAWING NUMBER <b>ID383 A</b> DATE SCALES SHEET <b>3</b> OF <b>3</b>
PORTUGAL NATO VIII-XXI SLICES CONFERIDO APROVADO	SECRETARIADO DA DEFESA NACIONAL C.E.I.-OTAN IBERLANT C.E.O.M.E. ARQUIVO GEOME DES N° FOLHA DE SUBSTITUICAO N° SUBSTITUICAO PELO N° CLASSIF DE SEGURANCA