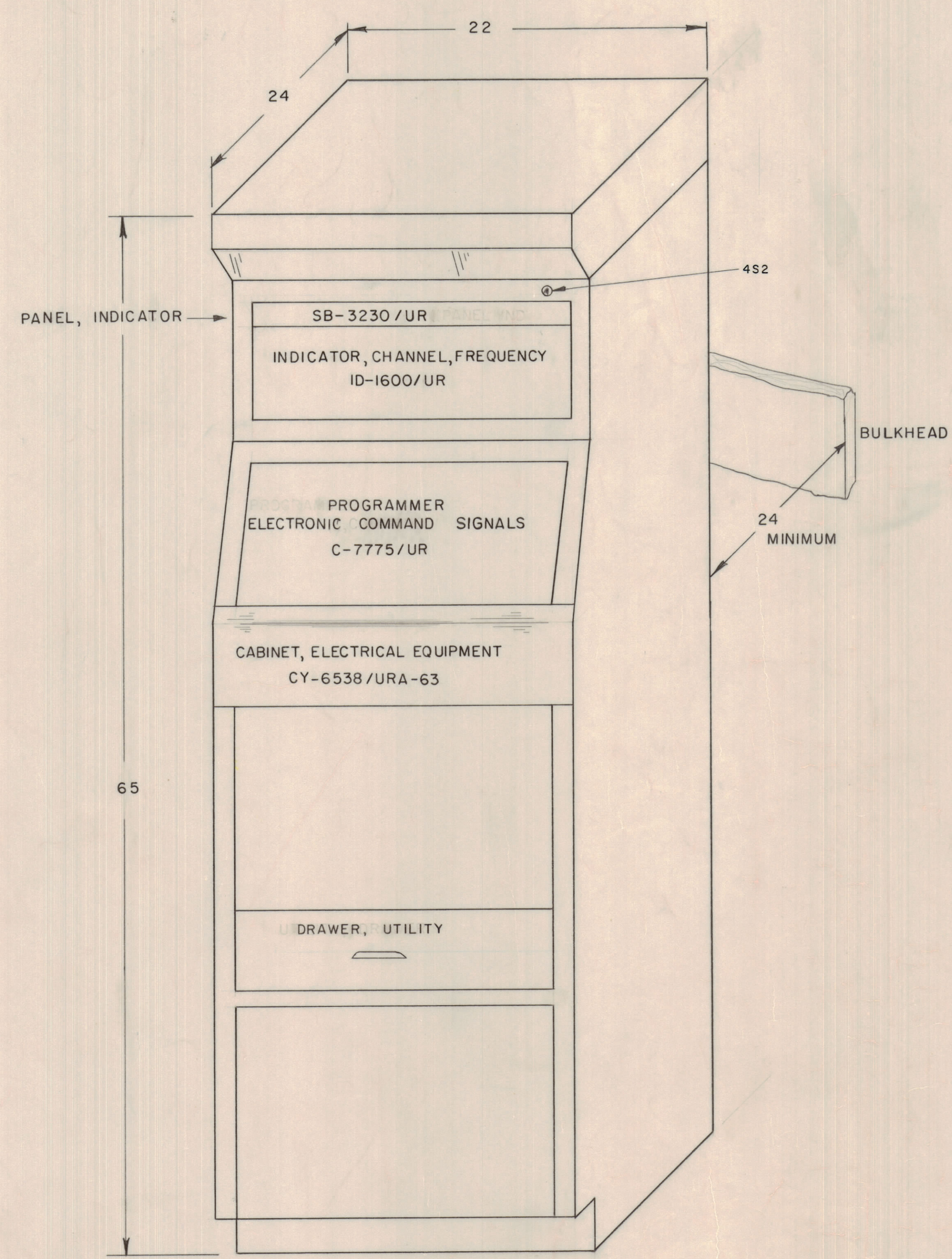
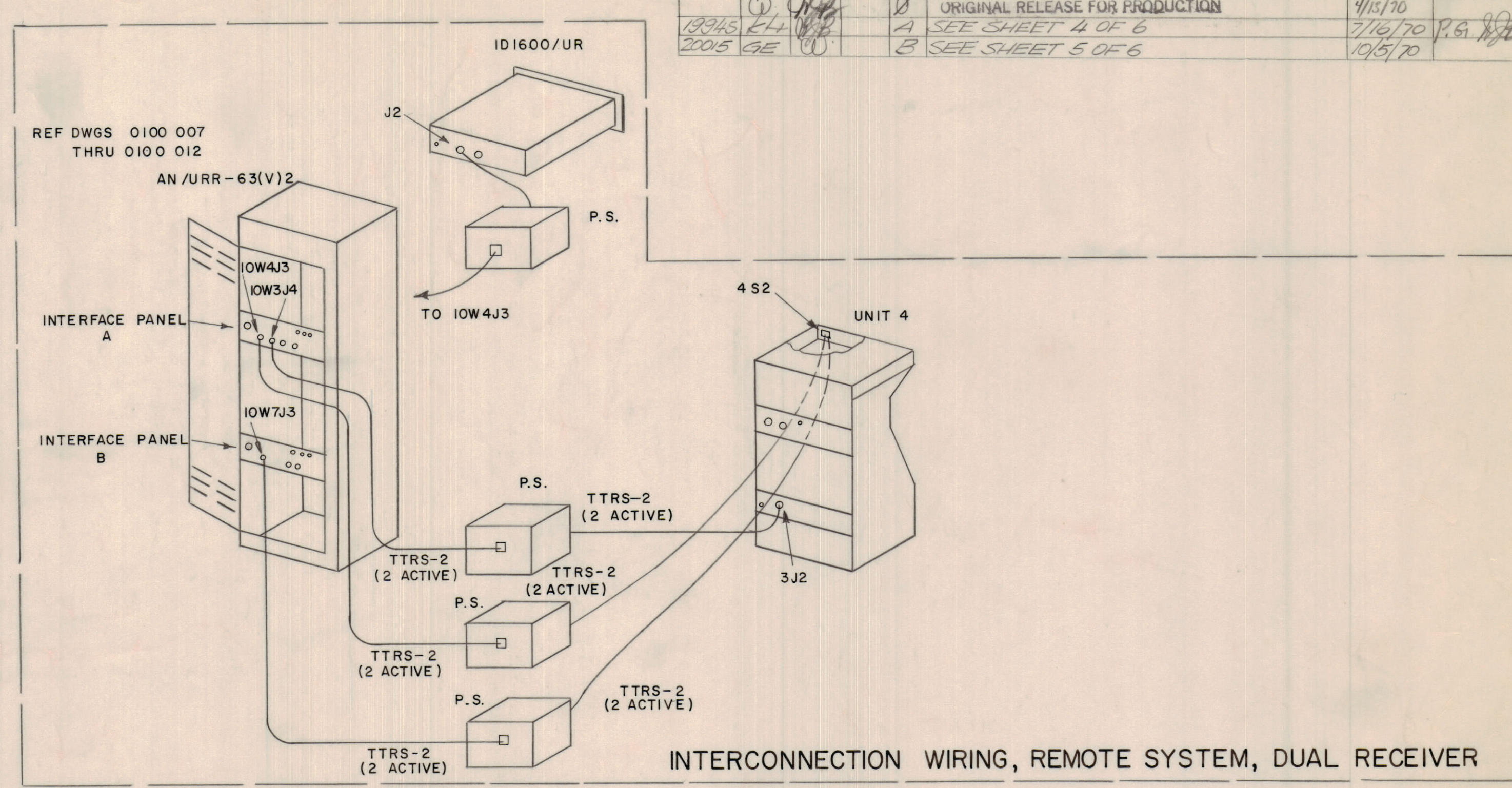


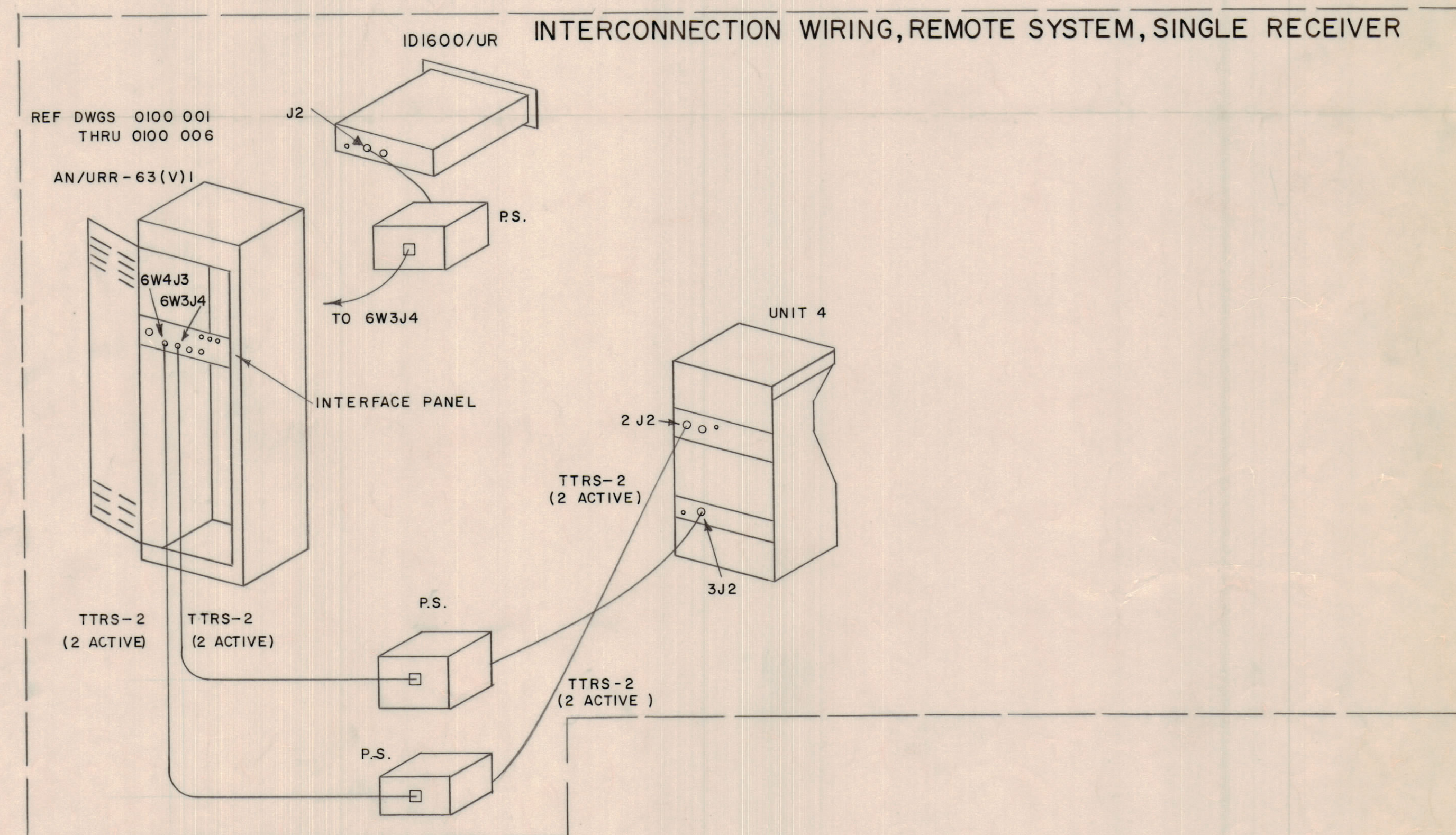
REVISIONS							
E.M.N.O	DRAFT	CHKD	ZONE	LTR	DESCRIPTION	DATE	APPROVED
	KD			X1	UPDATED TO 2-18-70 SUBMISSION	2-20-70	
					ORIGINAL RELEASE FOR PRODUCTION	4/15/70	
1994S	ELH			A	SEE SHEET 4 OF 6	7/16/70	P.G. [Signature]
2005	GE			B	SEE SHEET 5 OF 6	10/5/70	



POWER REQUIREMENTS
 VOLTAGE — 115 OR 230 ± 10%
 PHASE — SINGLE
 FREQUENCY — 50/60 ± 5%
 WATTS — 168 MAX



INTERCONNECTION WIRING, REMOTE SYSTEM, DUAL RECEIVER



INTERCONNECTION WIRING, REMOTE SYSTEM, SINGLE RECEIVER

CONTRACT NO: N600(63133)65805
 NOTE: DRAWING IN ACCORDANCE WITH
 MIL-D-23410 (SHIPS) 17 JAN 1962

QTY / UNIT	MODEL USED ON	ASSY NO.
	COPB-2	0100 031
APPLICATION		
	CODE	
NOTICE TO PERSONS RECEIVING THIS DRAWING <small>THE TECHNICAL MATERIEL CORPORATION claims proprietary right in the material disclosed herein. This drawing is issued in confidence for engineering information only and may not be reproduced or used to manufacture anything shown hereon without permission from THE TECHNICAL MATERIEL CORPORATION to the user. This drawing is loaned for mutual assistance and is subject to recall at any time.</small>		

UNLESS OTHERWISE SPECIFIED DIMENSIONS ARE IN INCHES AND INCLUDE CHEMICALLY APPLIED OR PLATED FINISHES

TOLERANCES ON
 DECIMALS X ± .05
 XX ± .01
 .XXX ± .005

FRACTIONS ± 1/64
 ANGLES ± 0°-30'

MATERIAL

FINISH

QTY. REQ.	ITEM	PART NO.	DESCRIPTION	SYMBOL
LIST OF MATERIAL				
FINAL APPROVAL: [Signature] DATE: 4/13/70				
MECH. DES. DATE: 4-13-70				
ELECT. DES. DATE:				
CHECKED DATE:				
DRAWN: [Signature] DATE: 10/19/69				
THE TECHNICAL MATERIEL CORP. MAMARONECK, NEW YORK				
RECEIVING SET, RADIO AN/URA-63 PICTORIAL SYSTEM DIAGRAM				
SIZE	CODE	IDENT NO.	DWG NO.	ISSUE
D	82679	ID	377	B
SCALE				SHEET 1 OF 6