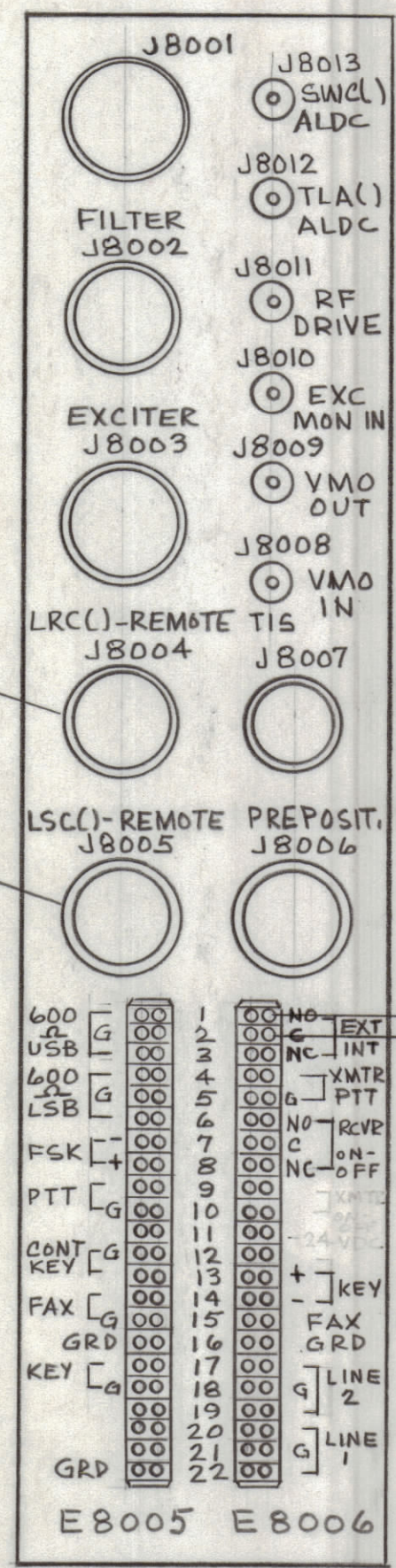


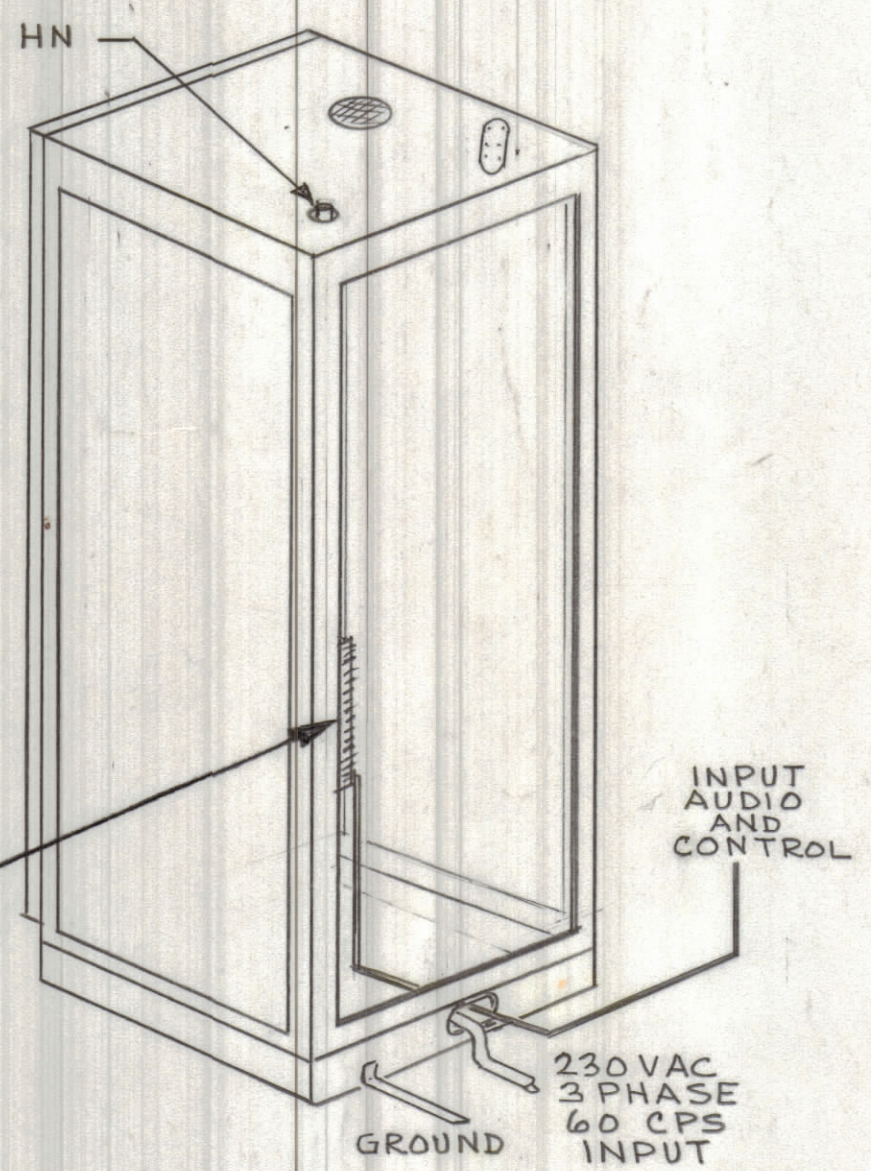
REVISIONS						
ZONE	LTR	DESCRIPTION	DATE	E.M.N.NO	DRAFT	CHKD APPD
	Ø	ORIGINAL RELEASE FOR PROD.	11-8-68		R.G.	



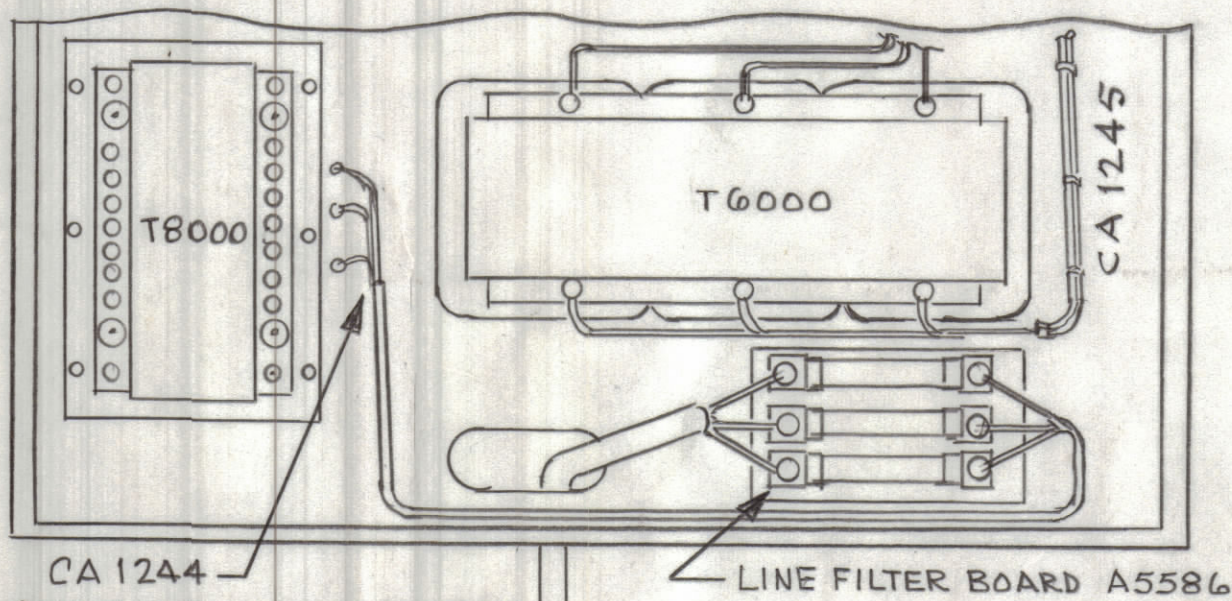
NOTE 1

NOTE 2

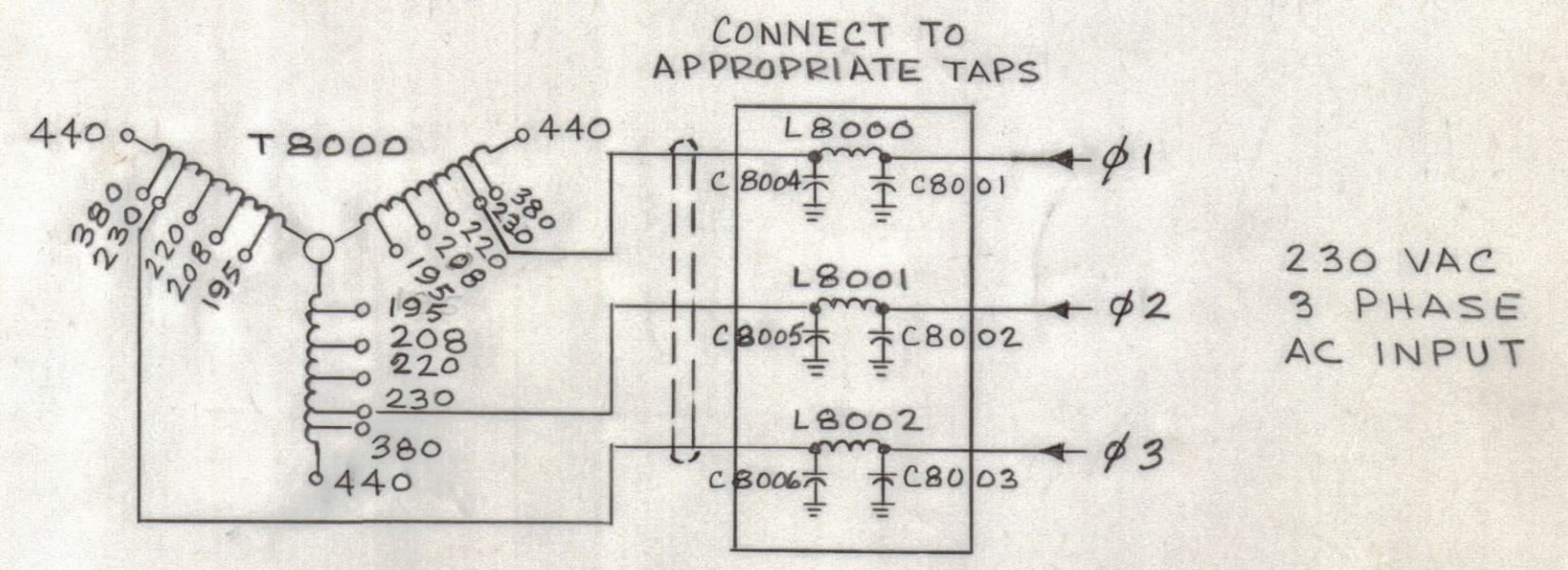
INPUT AUDIO AND KEYLINE



EXTERNAL CABLE CONNECTIONS

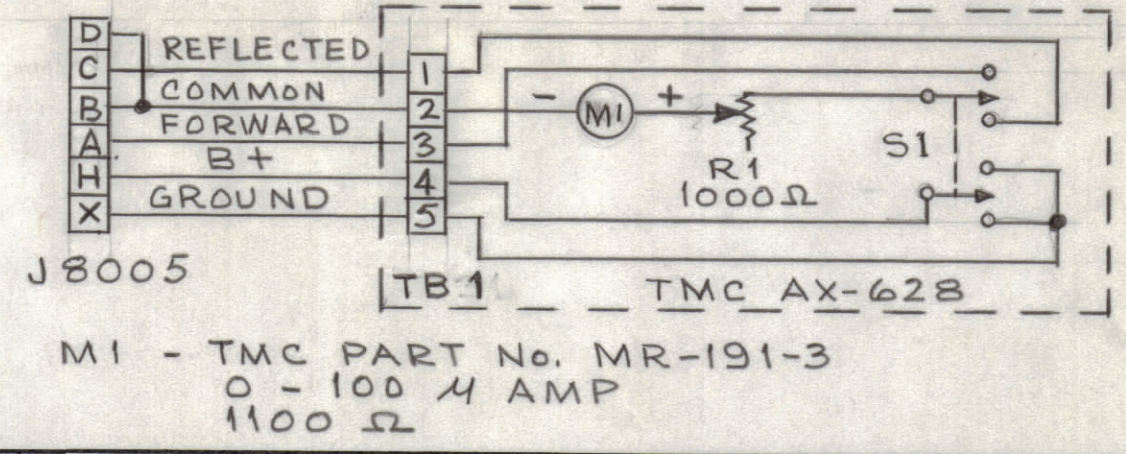


JUNCTION BOX CONNECTIONS



INPUT POWER CONNECTIONS

- NOTE-1. REMOTE OVERLOAD RESET MAY BE ACCOMPLISHED BY PROVIDING A MOMENTARY SWITCH CLOSURE OF PINS C AND V OF J8004.
- 2.1 -24VDC IS AVAILABLE BETWEEN PINS L AND X OF J8005 FOR REMOTE FAULT INDICATOR.
- 2.2 REMOTE POWER METER CIRCUIT



QTY. REQ.	ITEM	PART NO.	DESCRIPTION	SYMBOL
LIST OF MATERIAL SK				
THE TECHNICAL MATERIEL CORP. MAMARONECK, NEW YORK				
GPTA - 2.5JE INPUT POWER INSTALLATION				
MATERIAL		SIZE	CODE IDENT.NO.	DWG NO.
FINISH		C	82679	ID371-001
		SCALE		SHEET OF
				Ø

QTY / UNIT	MODEL USED ON	ASS'Y NO.
APPLICATION		
CODE		
<p>NOTICE TO PERSONS RECEIVING THIS DRAWING</p> <p>THE TECHNICAL MATERIEL CORPORATION claims proprietary right in the material disclosed herein. This drawing is issued in confidence for engineering information only and may not be reproduced or used to manufacture anything shown herein without permission from THE TECHNICAL MATERIEL CORPORATION to the user. This drawing is loaned for mutual assistance and is subject to recall at any time.</p>		

UNLESS OTHERWISE SPECIFIED DIMENSIONS ARE IN INCHES AND INCLUDE CHEMICALLY APPLIED OR PLATED FINISHES

TOLERANCES ON

DECIMALS	FRACTIONS
.X ± .05	± 1/64
.XX ± .01	ANGLES
.XXX ± .005	± 0° -30'

ID 371