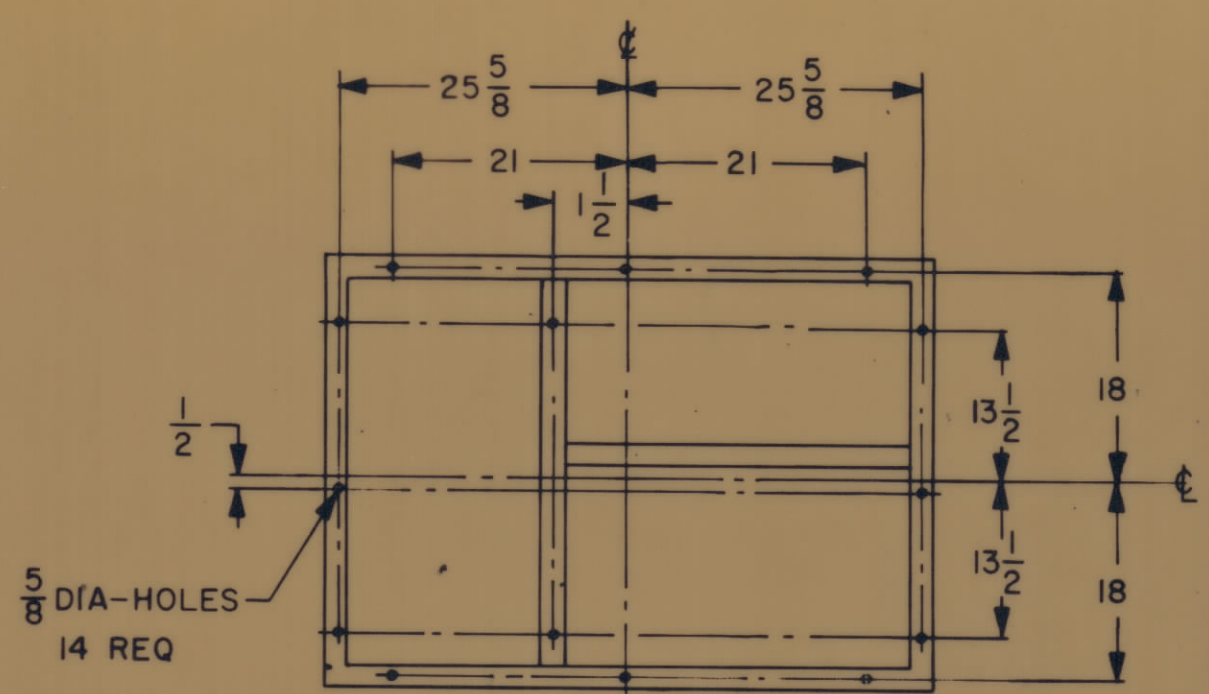
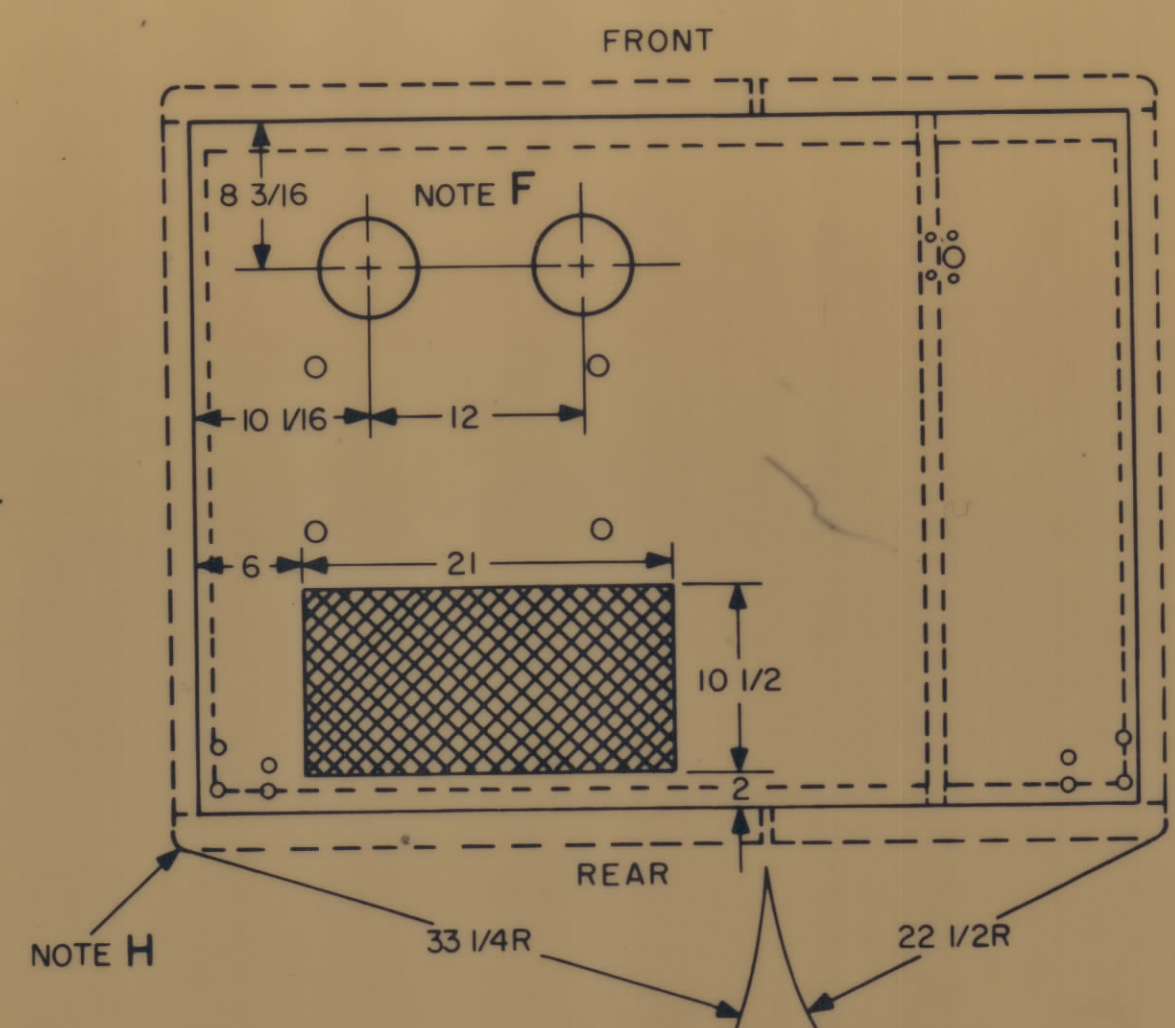
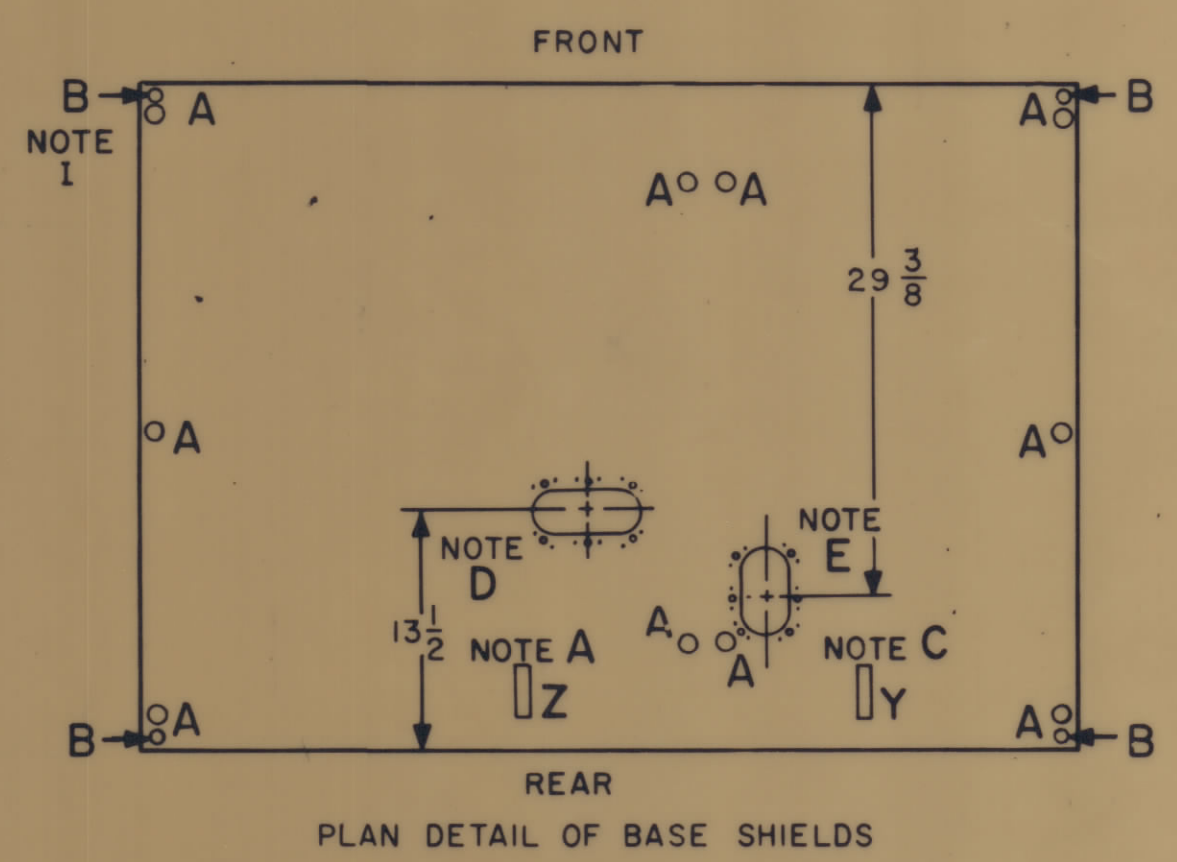


REVISIONS						
ZONE	LTR	DESCRIPTION	DATE	E. M. N.	DRAFT	CHKD APPD

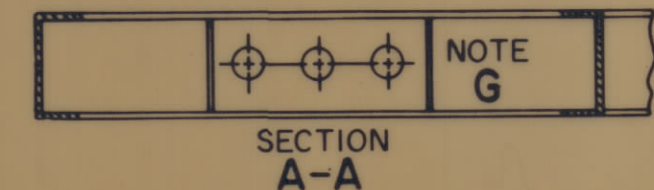
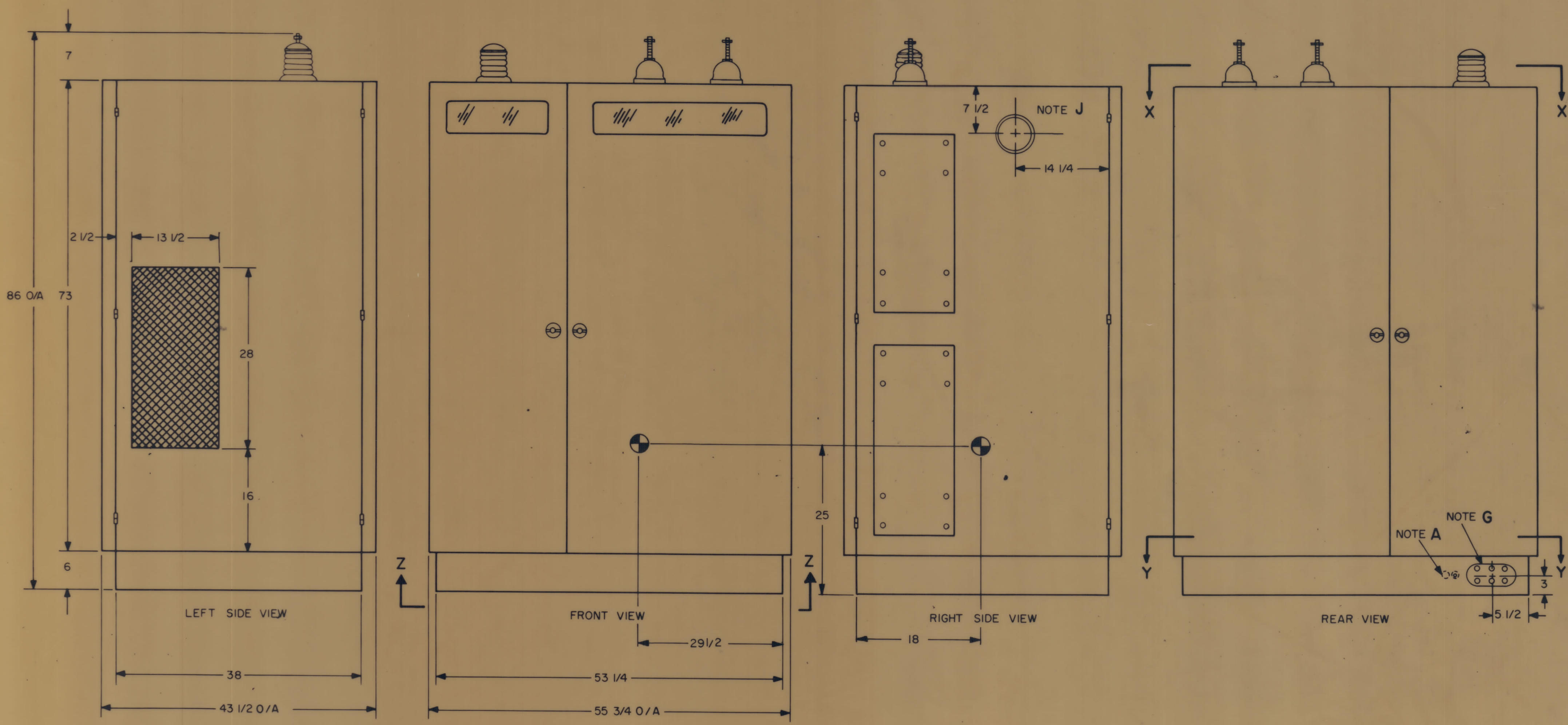
PLAN DETAIL OF TOP COVER
VIEW X-X



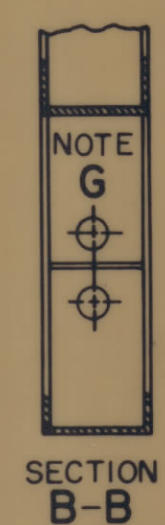
PLAN DETAIL OF BASE
BOTTOM VIEW Z-Z



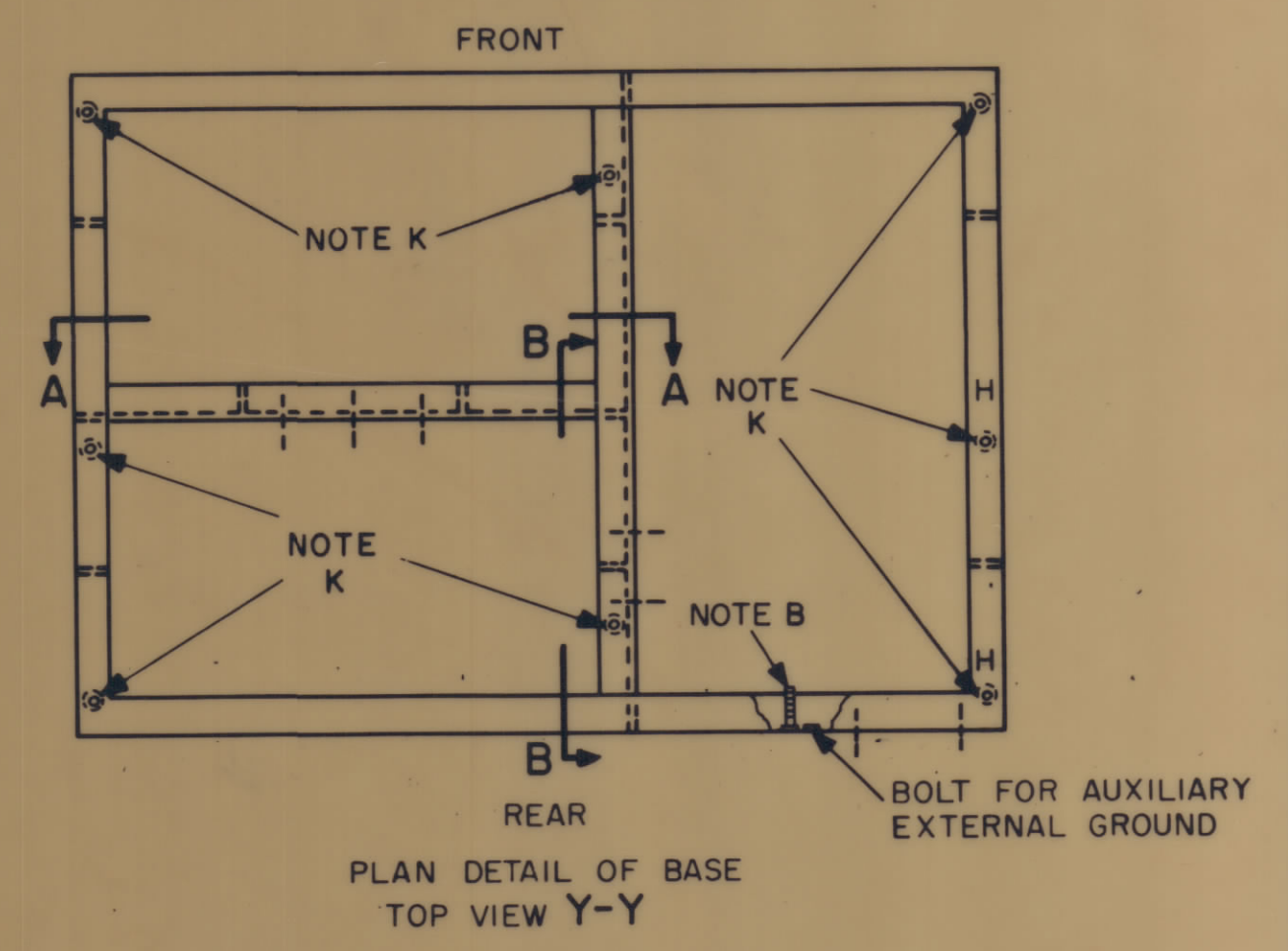
PLAN DETAIL OF BASE SHIELDS



SECTION A-A



SECTION B-B



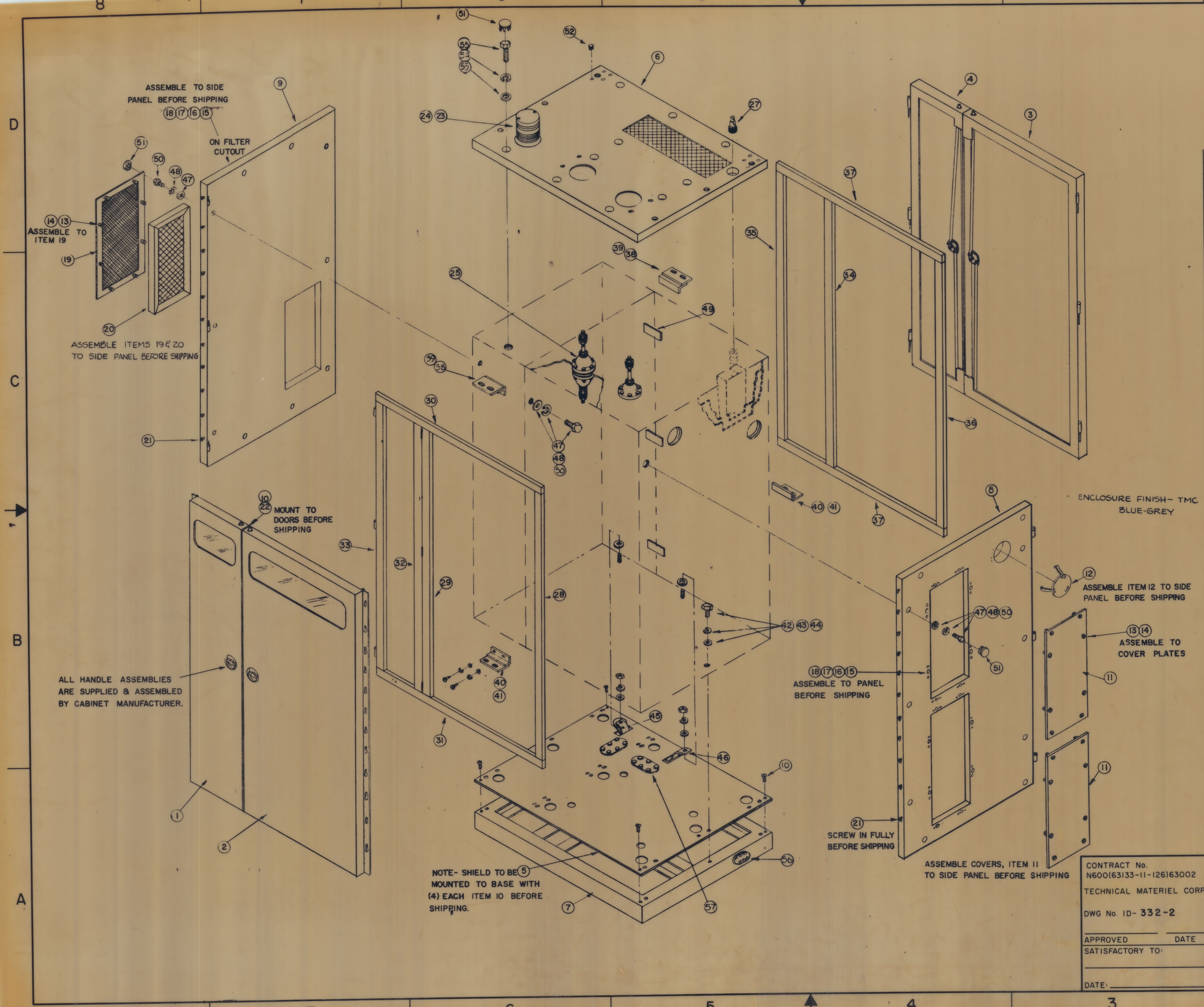
PLAN DETAIL OF BASE
TOP VIEW Y-Y

- NOTES:
- A- ACCESS HOLE FOR GROUND LEAD TO MAIN FRAME CHASSIS.
 - B- BOLT FOR TRANSMITTER GROUND.
 - C- ACCESS HOLE FOR GROUND LEAD TO AUXILIARY FRAME CHASSIS.
 - D- ACCESS HOLE FOR 220V 3-PHASE 60 CYCLE POWER INPUT TO MAIN FRAME.
 - E- ACCESS HOLE FOR SIGNAL CONDUCTORS INTERCONNECTING TEST EQUIPMENT ON AUXILIARY FRAME TO CIRCUITS EXTERNAL TO TRANSMITTER.
 - F- ACCESS HOLES FOR INSULATORS FOR BALANCED ANTENNA.
 - G- ACCESS HOLE AUXILIARY TO D AND E.
 - H- FRONT AND REAR DOOR SWINGS ARE IDENTICAL.
 - I- B HOLES FOR MOUNTING BASE SHIELD TO BASE.
 - J- ACCESS HOLE FOR CONNECTIONS BETWEEN UNBALANCED OUTPUT CONNECTOR (OR OUTPUT CIRCUIT OF TRANSMITTER) TO 70-OHM ANTENNA.
 - K- A HOLES FOR MOUNTING FRAMES TO BASE.

CONTRACT No.
N600(63133-1)-126)63002
TECHNICAL MATERIEL CORP
DWG No. ID- 332-1
APPROVED _____ DATE _____
SATISFACTORY TO: _____
DATE: _____

QTY REQ	ITEM	PART NO.	DESCRIPTION	SYMBOL
LIST OF MATERIAL				
EXAMINED		NAVAL SHORE ELECTRONICS ENGINEERING CENTER WASHINGTON, D C		
OFFICIAL	SIGNATURE	TRANSMITTING SET, RADIO AN/FRT-39H ELEVATION AND DETAILS		
BR HEAD	<i>[Signature]</i>			
PROJ ENG	<i>[Signature]</i>			
DIV DIR				
PROJ DIR				
DRAFT SEC	<i>[Signature]</i>			
DRAWN	<i>[Signature]</i>			
FEDERAL SUPPLY CODE 82679		RW 52	CODE IDENT 82679	SIZE D
CONTR DRAWING NO. ID-332-1		SCALE NONE		268

REVISIONS						
ZONE	LTR	DESCRIPTION	DATE	E.M.N.	DRAFT	CHKD APPD



2	57	MS-1850-A	PLATE, ACCESS, ALUMINUM	CFM
2	56	MS-1850-S	PLATE, ACCESS, STEEL	CFM
12	55	FW25HBN	WASHER, FLAT	CFM
12	54	LWS25MRN	LOCKWASHER, SPLIT	CFM
12	53	SCHH2520BN10	BOLT, HEX HEAD 1/4-20	CFM
8	52	HB-101-3	PLUG, BUTTON 1/2	CFM
36	51	HB-101-6	PLUG, BUTTON 7/8	CFM
30	50	FW31HBN	WASHER, FLAT	CFM
3	49	MS-1698	BRACKET, TRIM STRIP	CFM
30	48	LWS31MSN	LOCKWASHER, SPLIT 5/16	CFM
30	47	SCHH3118SN16	BOLT, HEX HEAD 5/16-18 x 1 lg	CFM
1	46	MS-1753-2-30	GROUND STRAP 30 lg	CFM
1	45	MS-1753-2-18	GROUND STRAP 18 lg	CFM
10	44	FW37HSN	WASHER, FLAT 3/8	CFM
10	43	LWS37MSN	LOCKWASHER, SPLIT 3/8	CFM
10	42	SCHH3716SN24	BOLT, HEX HEAD 3/8-16 x 1-1/2 lg	CFM
2	41	MS-2123	DOOR LATCH MTG BRACKET	CFM
2	40	MS-2122	DOOR LATCH, STOP, BOTTOM	CFM
2	39	MS-1661	DOOR LATCH, MTG BRACKET, TOP	CFM
2	38	MS-1660	DOOR LATCH STOP, TOP	CFM
2	37	MS-1672	TRIM, REAR TOP & BOTTOM	CFM
1	36	MS-1671	TRIM, REAR, MAIN FRAME	CFM
1	35	MS-1670	TRIM, REAR, AUX FRAME	CFM
1	34	MS-1669	TRIM, REAR, CENTER	CFM
1	33	MS-1920	TRIM, HINGED, LEFT, AUX	CFM
1	32	MS-1637	TRIM, HINGED, RIGHT SIDE AUX	CFM
1	31	MS-1636	TRIM, FRONT, BOTTOM	CFM
1	30	MS-1635	TRIM, FRONT, TOP	CFM
1	29	MS-1634	TRIM, FRONT LEFT SIDE, MAIN	CFM
1	28	MS-1633	TRIM, FRONT RIGHT SIDE, MAIN	CFM
1	27	PL-149	CONNECTOR, PLUG, QDS	CFM
-	26		DELETED	
2	25	AX-159	INSULATOR BOWL ASSEMBLY	CFM
1	24	BI-106-1	LAMP, INCANDESCENT	CFM
1	23	AX-124	HV LAMP SOCKET ASSEMBLY	CFM
2	22	MS-2257	SPACER, DOOR	CFM
22	21	SCFS1032BN8	SCREW, MACHINE	CFM
1	20	AD-103-1	FILTER, AIR	CFM
1	19	MS-2255	COVER, FILTER, PERFORATED	CFM
48	18	NTH0348BN6	NUT, HEX	CFM
48	17	LWS03MRN	LOCKWASHER, SPLIT	CFM
48	16	SCFS0348BN6	SCREW, MACHINE	CFM
24	15	FS-102-1	SPRING, 'S' TYPE	CFM
24	14	FS-110-1	STUD, SLOTTED HEAD	CFM
24	13	FS-109-3	RING, STUD RETAINING	CFM
1	12	MS-2258	COVER, UNBAL OUTPUT	CFM
2	11	MS-2256	COVER, FILTER, BLANK	CFM
26	10	SCFS1032BN6	SCREW, MACHINE, FH, 1032 x 3/8 lg	CFM
1	9	MS-2117	PANEL, LEFT SIDE, AUX FRAME	CFM
1	8	MS-2116	PANEL, RIGHT SIDE, MAIN FRAME	CFM
1	7	MS-1458	BASE	CFM
1	6	MS-1699	PANEL, TOP	CFM
1	5	MS-2175	SHIELD, BASE	CFM
1	4	MS-1648	DOOR, REAR, AUX FRAME	CFM
1	3	MS-1647	DOOR, REAR, MAIN FRAME	CFM
1	2	MS-2118	DOOR, FRONT, MAIN FRAME	CFM
1	1	MS-2119	DOOR, FRONT, AUX FRAME	CFM

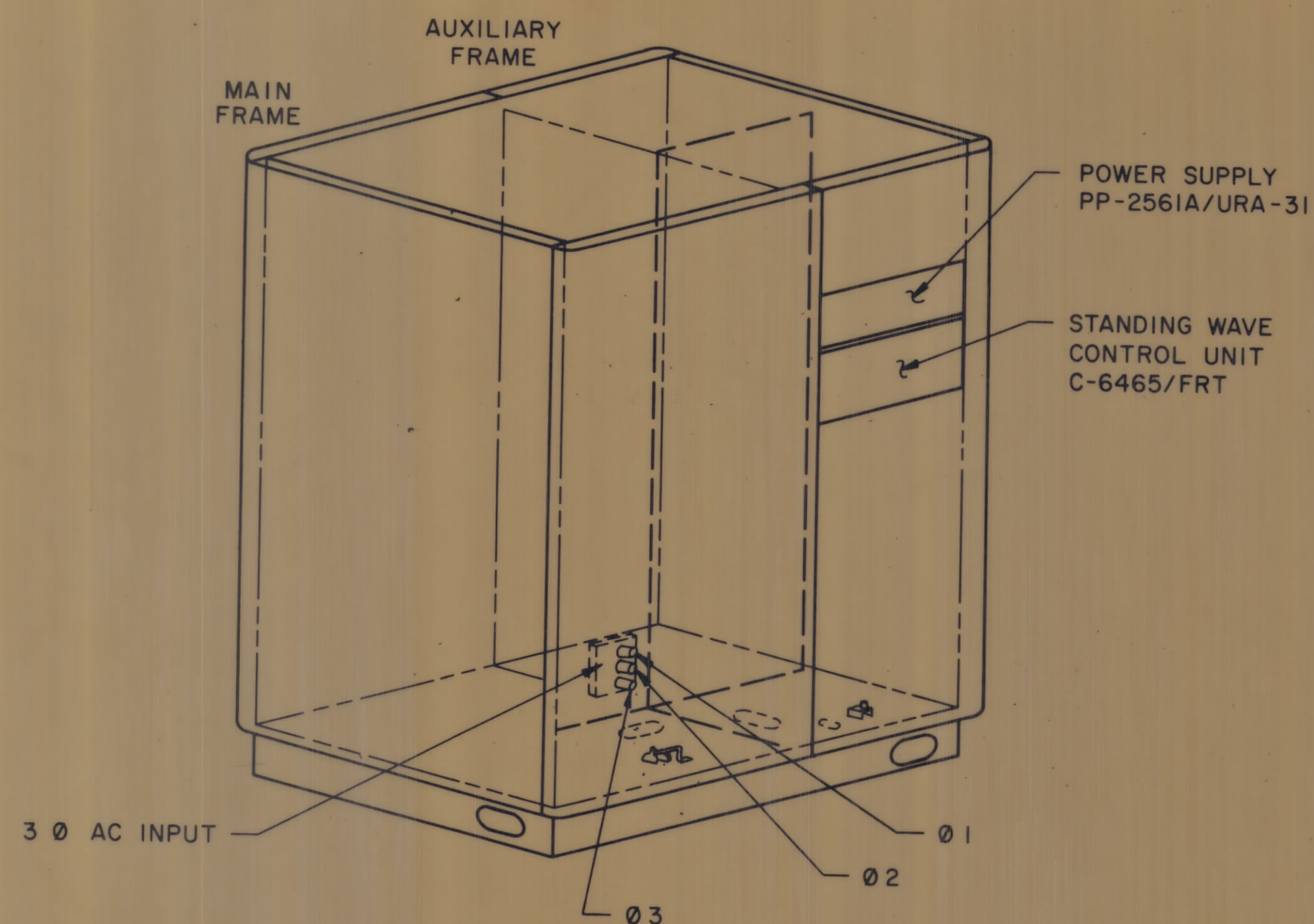
QTY REQ	ITEM	PART NO.	DESCRIPTION	SYMBOL
LIST OF MATERIAL				
EXAMINED				
OFFICIAL	SIGNATURE			
BR HEAD	<i>S. Miller</i>			
PROJ ENG	<i>D. B. Smith</i>			
DIV DIR				
PROJ DIR				
DRAFT SEC	<i>J. A. De Gooz</i>			
DRAWN	<i>DEIERLEIN</i>			
FEDERAL SUPPLY CODE	82679	SIZE	D	268
CONTR DRAWING NO.	ID-332-2	SCALE	NONE	SHEET 2 OF 5

CONTRACT No. N600(63133-11-126)63002
 TECHNICAL MATERIEL CORP
 DWG No. ID-332-2
 APPROVED _____ DATE _____
 SATISFACTORY TO: _____
 DATE: _____

NAVAL SHORE ELECTRONICS
 ENGINEERING CENTER
 WASHINGTON, D C
**TRANSMITTING SET, RADIO
 AN/FRT-39H**
 EXPLODED ASSEMBLY DRAWING

REVISIONS					
ZONE	LTR	DESCRIPTION	DATE	E.M.N. NO.	DRAFT

UNIT PHYSICAL DATA		
NOMENCLATURE	WEIGHT	DIMENSIONS INCHES
	lbs	L X W X H
AX 558 AUXILIARY FRAME	385	21 X 38-5/8 X 72
AX 505 MAIN FRAME	835	32 X 38-5/8 X 72
PP-2561A/URA-31	50	19 X 16-1/2 X 5-1/4
CV-928/URA-31	10	19 X 15 X 5-1/4
O-715B/URA-31	17	19 X 14-3/4 X 5-1/4
O-717/URA-31	25	19 X 19-1/2 X 5-1/4
O-714/UR	17	19 X 12-7/8 X 5-1/4
O-716/URA-31	45	19 X 18 X 10-1/2
AM-2505B/URA-31	40	19 X 19-1/4 X 10-1/2
PP-2562/URA-31	67	19 X 16 X 12-1/4
AX-103 HIGH VOLTAGE RECTIFIER DRAWER	76	28-3/4 X 16-3/4 X 10-3/4
AM-2103B/URT WITH	100	28-3/4 X 16-3/4 X 10-3/4
PP-3362/FRT		
C-6465/FRT	15	19 X 9-1/2 X 3-1/2



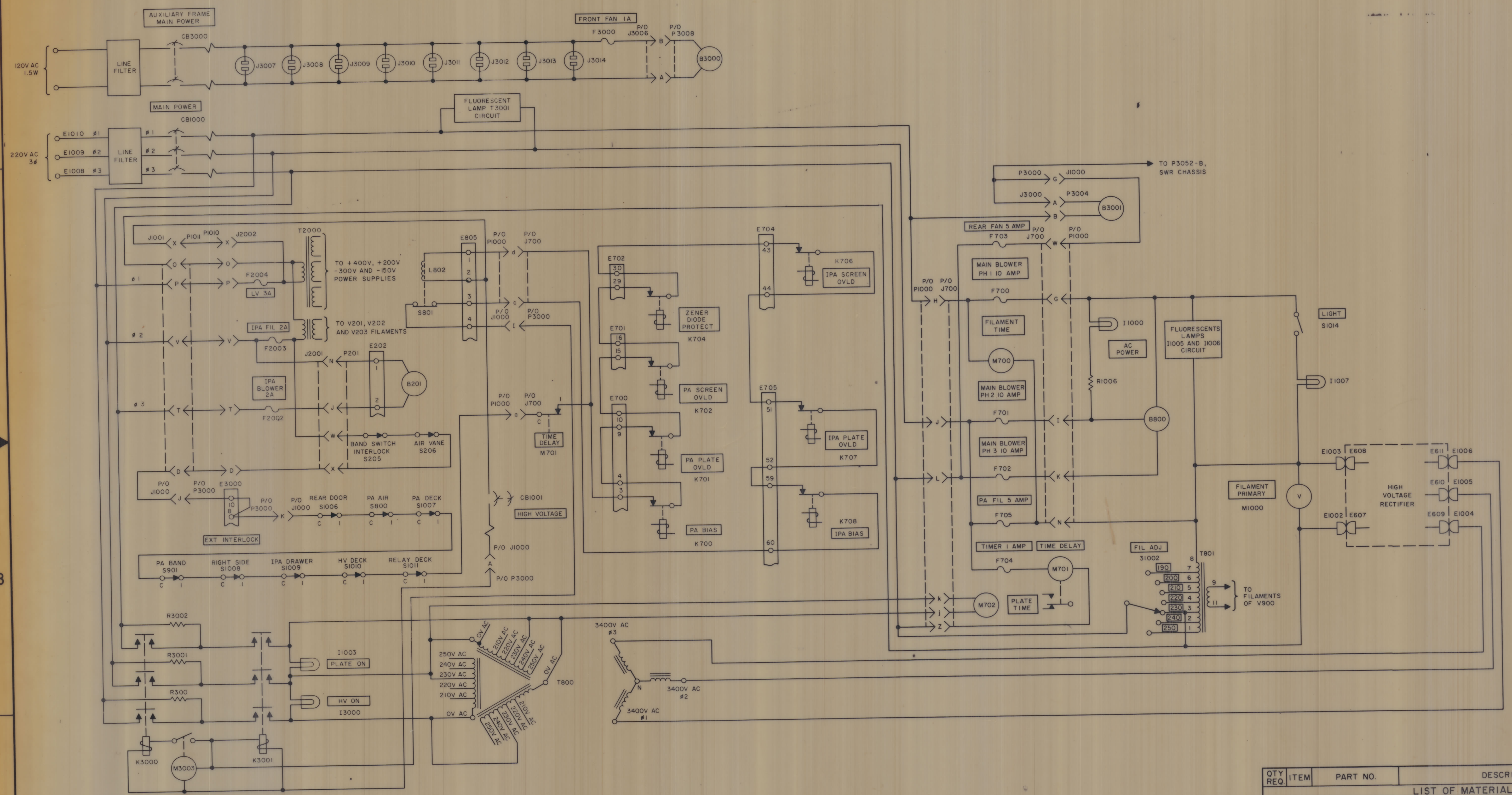
CRATED DATA				
CRATE NO.	NOMENCLATURE	WEIGHT	DIMENSIONS INCHES	CUBIC
		lbs	L X W X H	FEET
1	ASSORTED ITEMS	188	32 X 23-7/8 X 30-3/4	13.4
2	MOUNTING BASE WITH SHIELD	234	56-3/4 X 40-1/8 X 8	10.5
3	AX 558 AUXILIARY FRAME	768	82-1/8 X 50-1/4 X 32-1/4	77.0
4	AX 505 MAIN FRAME	1298	81-3/8 X 42 X 51-1/2	101.9
5	TF-203 POWER TRANSFORMER	536	28-3/4 X 19-3/4 X 24	7.9
6	PP-2561A/URA-31 CV-928/URA-31 O-715B/URA-31	212	32 X 23-7/8 X 30-3/4	13.4
7	O-717/URA-31 O-714/UR	135	31 X 23 X 22-1/4	9.2
8	O-716/URA-31 AM-2505B/URA-31	214	32 X 23-7/8 X 30-3/4	13.4
9	PP-2562/URA-31	143	27-1/4 X 21-5/8 X 17-1/4	5.9
10	AX-103 HIGH VOLTAGE RECTIFIER DRAWER	233	40 X 30-3/4 X 22	15.7
11	AM-2103B/URT PP-3362/FRT	240	40 X 30-3/4 X 22	15.7
12	EXTERIOR COVERS & TRIM STRIPS	643	77-5/8 X 27-1/2 X 44-1/2	54.7

METER PANEL	METER PANEL
SIDEBAND EXCITER O-714/UR	FIRST POWER AMPLIFIER SECTION AND
FREQUENCY AMPLIFIER AM-2505B/URA-31	CONTROL PANEL ASSEMBLY
CONTROLLED MASTER OSCILLATOR O-716/URA-31	RF AMPLIFIER DRAWER
CONTROLLED OSCILLATOR O-717/URA-31	RF AMPLIFIER AM-2103B/URT
FREQUENCY STANDARD O-715B/URA-31	PP-3362/FRT
TONE INTELLIGENCE UNIT TH-39B/UGT OR KEYER MONITOR CONTROL UNIT C-7384/URT	POWER SUPPLY CONTROL PANEL
FREQUENCY DIVIDER CV-928/URA-31	10-KW HIGH VOLTAGE RECTIFIER
POWER SUPPLY PP-2562/URA-31	PP-3363/FRT
AUXILIARY POWER PANEL SB-2809/UR	INDICATOR CONTROL AND RELAY PANEL

POWER REQUIREMENTS

POWER INPUT - 50 A/LEG
 VOLTAGE - 190 - 250 V AC
 PHASE - 3 0
 FREQUENCY - 50 / 60 CPS
 HEAT DISSIPATION - 10 KW
 AMBIENT TEMP RANGE - 0° TO 50° C
 INTAKE AIR - 594 CFM
 EXHAUST AIR - 587 CFM
 WEIGHT - 2753 lbs

QTY REQ	ITEM	PART NO.	DESCRIPTION	SYMBOL
LIST OF MATERIAL				
CONTRACT No. N600(63133-11-126)63002		EXAMINED		
TECHNICAL MATERIEL CORP		OFFICIAL SIGNATURE		
DWG No. ID- 332-4		BR HEAD <i>[Signature]</i>		
APPROVED _____ DATE _____		PROJ ENG <i>[Signature]</i>		
SATISFACTORY TO:		DIV DIR		
		PROJ DIR		
		DRAFT SEC <i>[Signature]</i>		
		DRAWN <i>[Signature]</i>		
DATE: _____		FEDERAL SUPPLY CODE 82679		
		CONTR DRAWING NO ID- 332-4		
		NAVAL SHORE ELECTRONICS ENGINEERING CENTER WASHINGTON, D C		
		TRANSMITTING SET, RADIO AN/FRT-39H INPUT POWER DETAILS		
		RW 52	CODE IDENT 82679	SIZE D
		SCALE NONE		268



QTY REQ.	ITEM	PART NO.	DESCRIPTION	SYMBOL
LIST OF MATERIAL				
CONTRACT No. N600(63133-11-126)63002			NAVAL SHORE ELECTRONICS ENGINEERING CENTER WASHINGTON, D C	
TECHNICAL MATERIEL CORP			TRANSMITTING SET, RADIO AN/FRT-39H	
DWG No. ID- 332-5			AC POWER DISTRIBUTION	
APPROVED	DATE	DRAFT SEC		
SATISFACTORY TO:		DRAWN		
			RW 52	CODE IDENT 82679
			FEDERAL SUPPLY CODE 82679	SIZE D
			CONTR DRAWING NO. ID-332-5	SCALE NONE
				268
				SHEET 5 OF 5

EXAMINED
 OFFICIAL SIGNATURE
 BR HEAD
 PROJ ENG
 DIV DIR
 PROJ DIR
 DRAFT SEC
 DRAWN
 DATE: _____

A

A