

7

6

5

4

3

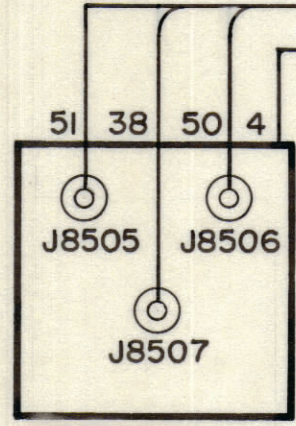
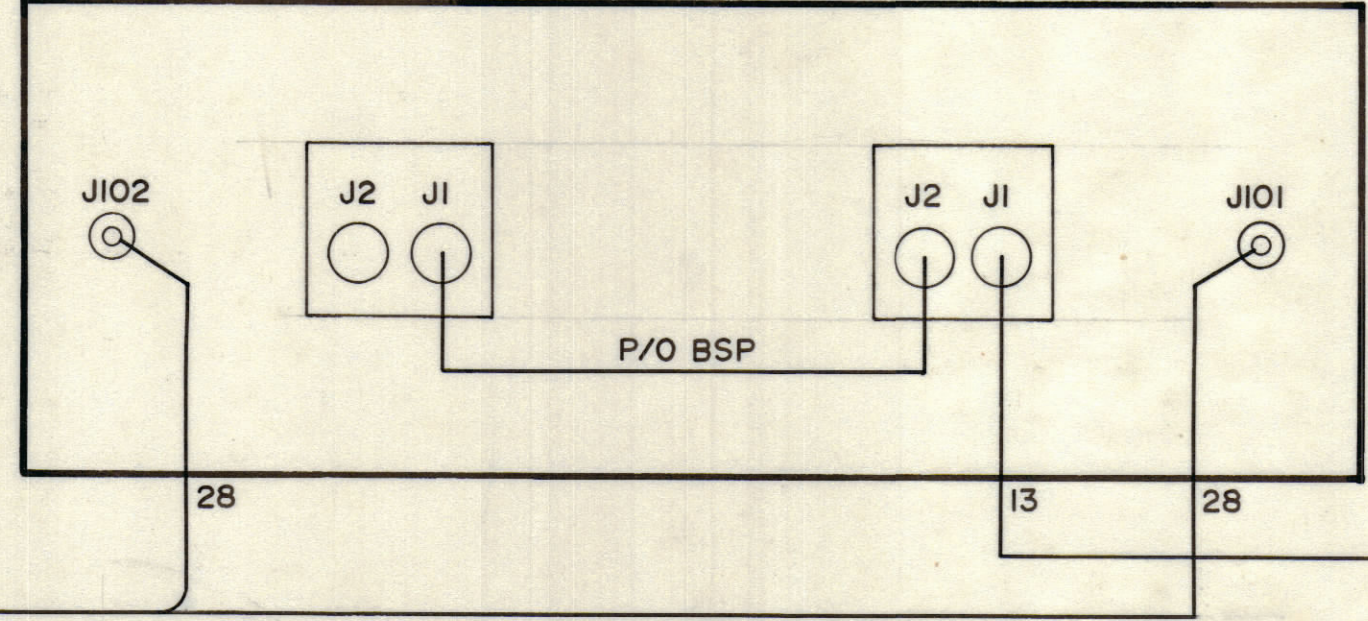
2

1

FOR CONTINUATION OF CABLES
SEE SHEET 7 OF 9

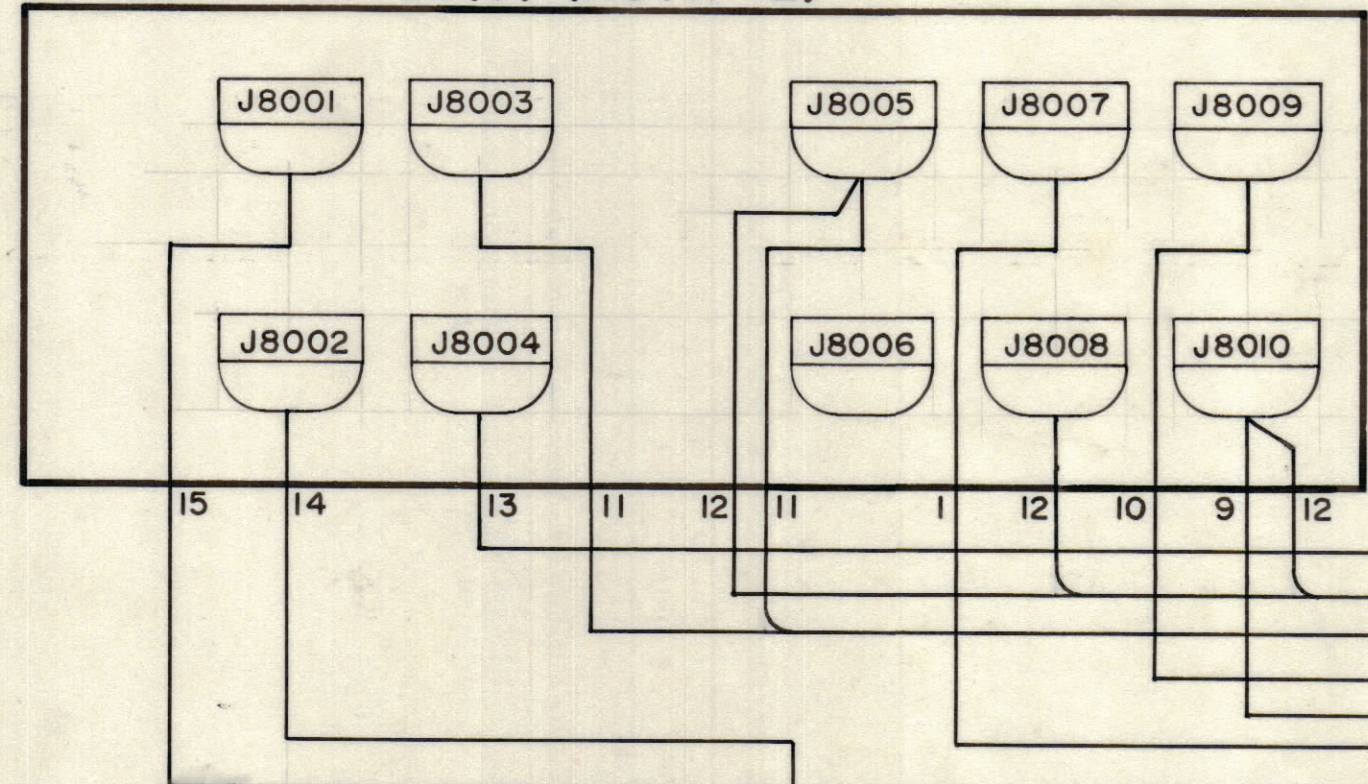
REVISIONS						
SYM	ZONE	DESCRIPTION	DATE	E.M.N.NO.	DRAFT	CHKD APPD

BSP-6B

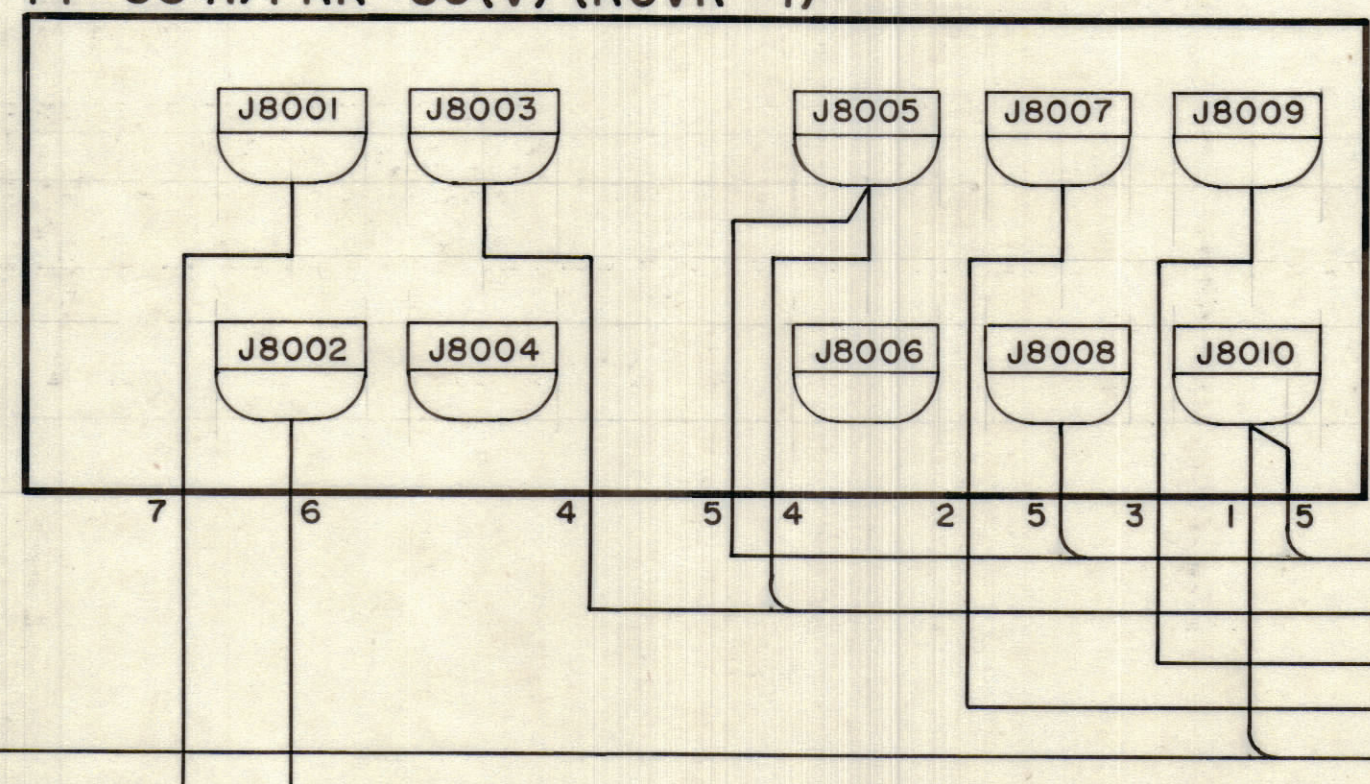


SYNC TONE RELAY
A4084

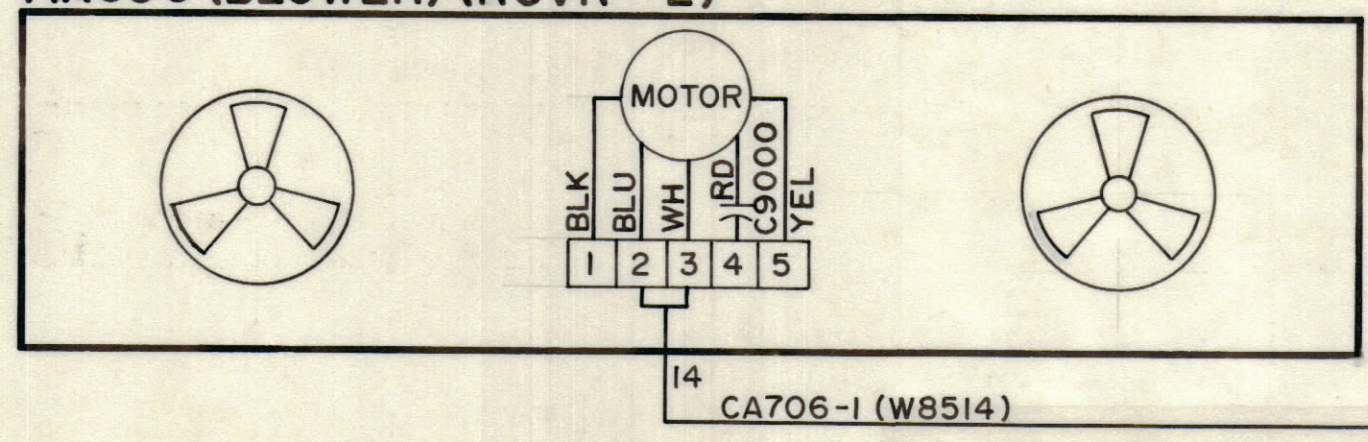
PP-334I/FRR-60(V) (RCVR #2)



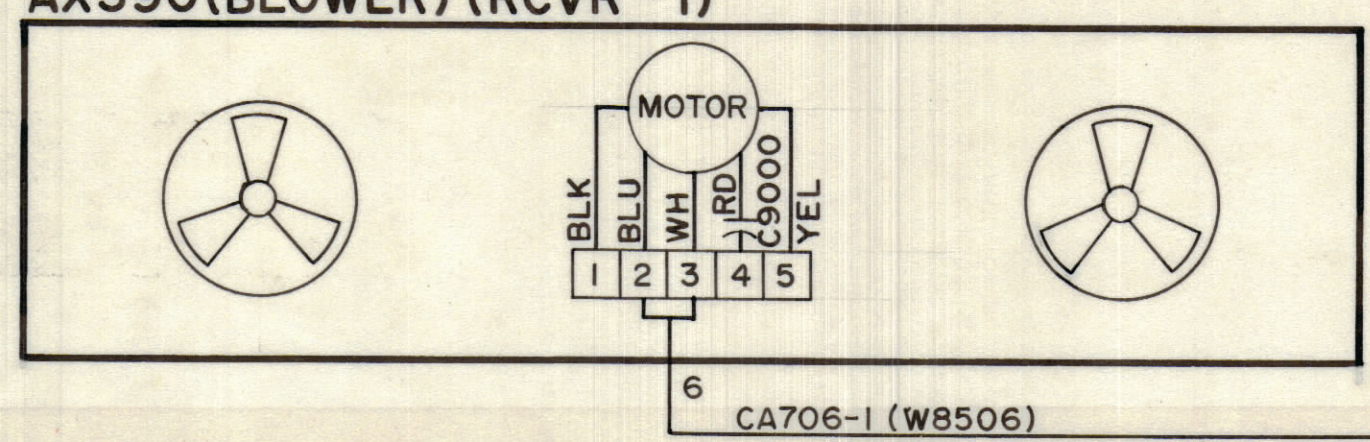
PP-334I/FRR-60(V) (RCVR #1)



AX390 (BLOWER) (RCVR #2)



AX390 (BLOWER) (RCVR #1)



FOR CONTINUATION OF CABLES
SEE SHEET 9 OF 9

CONTRACT NO. N600 (63133-11-126) 63002	EXAMINED		NAVAL SHORE ELECTRONICS ENGINEERING CENTER WASHINGTON, D.C.	
	TECHNICAL MATERIEL CORP.	OFFICIAL		
DWG. NO. ID-326-8	BR. HEAD	PROJ. ENG.	RECEIVING SET, RADIO, MODEL DDR-5L	
APPROVED _____ DATE _____	DIV. DIR.	PROJ. DIR.		
SATISFACTORY TO: _____	DRAFT SEC.	DRAWN		
DATE _____	FEDERAL SUPPLY CODE 82679	CONTR DRAWING NO. ID-326-8		
	RW 23	CODE IDENT 82679	SIZE C	563
	SCALE _____			SHEET 8 OF 9