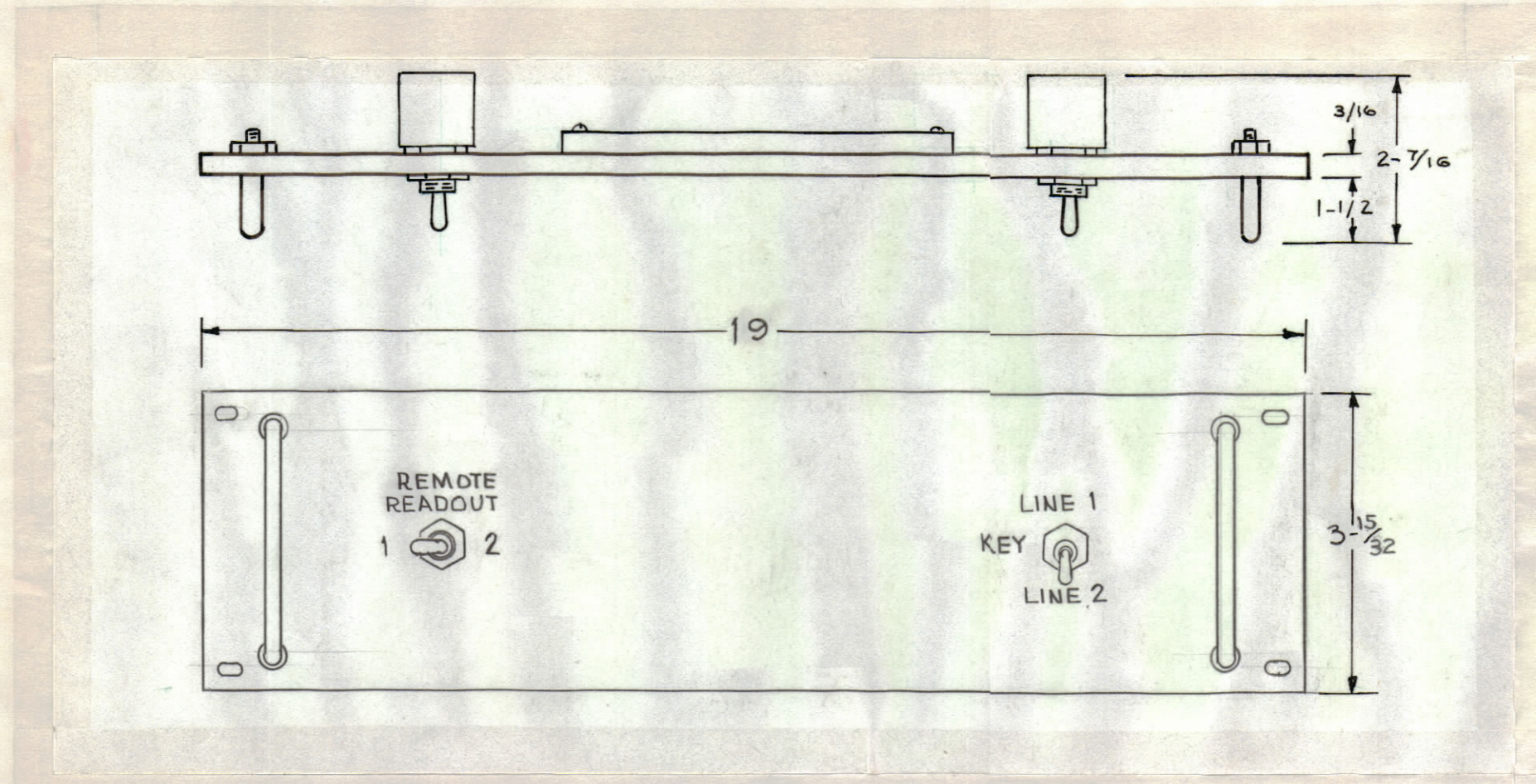
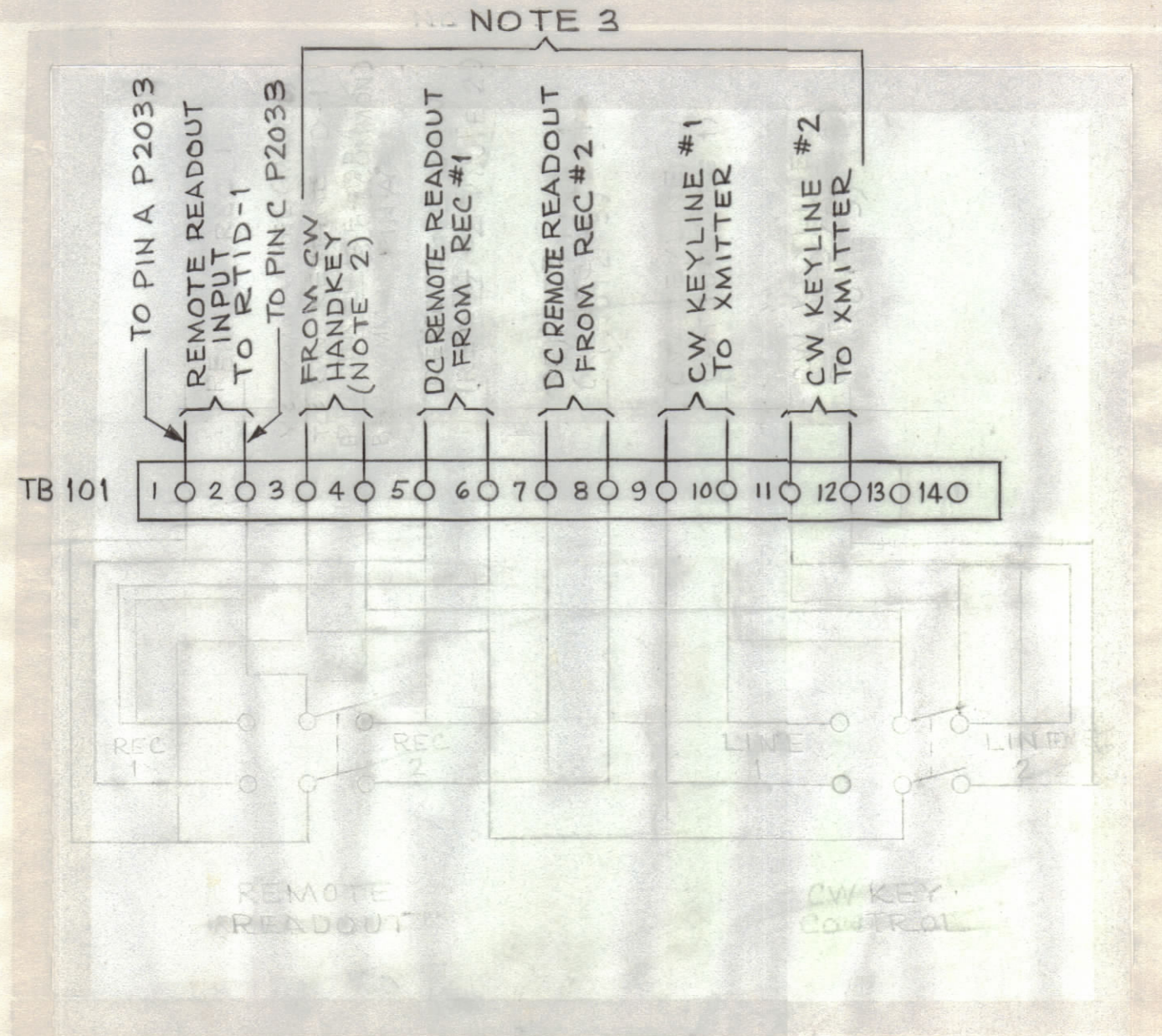


REVISIONS						
SYM	ZONE	DESCRIPTION	DATE	E.M.N. NO.	DRAFT	CHKD APPD
A		REVISED	9/27/65		MJT	
B		3 15/32 DIM. WAS 3 1/2. SEE SHIP 5	6/1/66	16315	C.H.	<i>[Signature]</i>



TECHNICAL DATA

POWER INPUT: PASSIVE DEVICE
NO POWER REQUIRED
WEIGHT: 5 lbs.



- NOTE 1. THE RRCA-1 AND RTID-1 MUST BE COLLOCATED WITH THE RRCA-1 DIRECTLY BELOW THE RTID-1, DUE TO CABLE LENGTH.
2. CUSTOMER KEYING CIRCUIT
3. GFE CABLE CIRCUITS.

MAXIMUM ALLOWABLE TOLERANCES HAVE BEEN DETERMINED AND ANY DEVIATIONS WILL BE CAUSE FOR REJECTION.

QTY REQ	ITEM	PART NO.	DESCRIPTION	SYMBOL
BILL OF MATERIAL				
THE TECHNICAL MATERIEL CORP. MAMARONECK, NEW YORK				
CONTROL MONITOR GROUP, MODEL RCWB-1 CONTROL UNIT, MODEL RRCA-1				
WINDING MADE IN JAPAN, REMOTE CONTROLER IN U.S.A. DIMENSIONS				
UNLESS OTHERWISE SPECIFIED DIMENSIONS ARE IN INCHES TOLERANCES ON FRACTIONS DECIMALS ANGLES ±1/64 ±.005 ±1/2°		FINAL APPROVAL <i>[Signature]</i> DATE 5/19/65		
MATERIAL		MECH. DES. W. JORDAN DATE 5/14/65		
FINISH		ELECT. DES. <i>[Signature]</i> DATE 5/19/65		
		CHECKED <i>[Signature]</i> DATE 5-13-65		
		DRAWN Jayness DATE 5-1-65		
		APPROVED FOR BUSHIPS	CODE 82679	SIZE C
		CONTRACT NO. N600(63132-11-126)63002	DWG. NO. ID-325	ISSUE B
			SCALE NONE	SHEET 4 OF 6