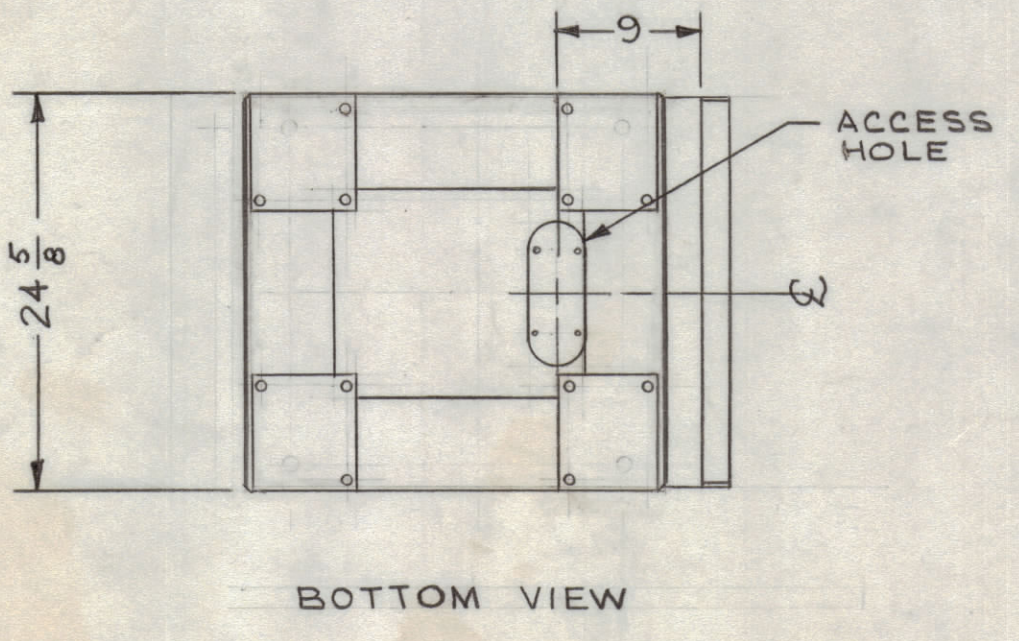
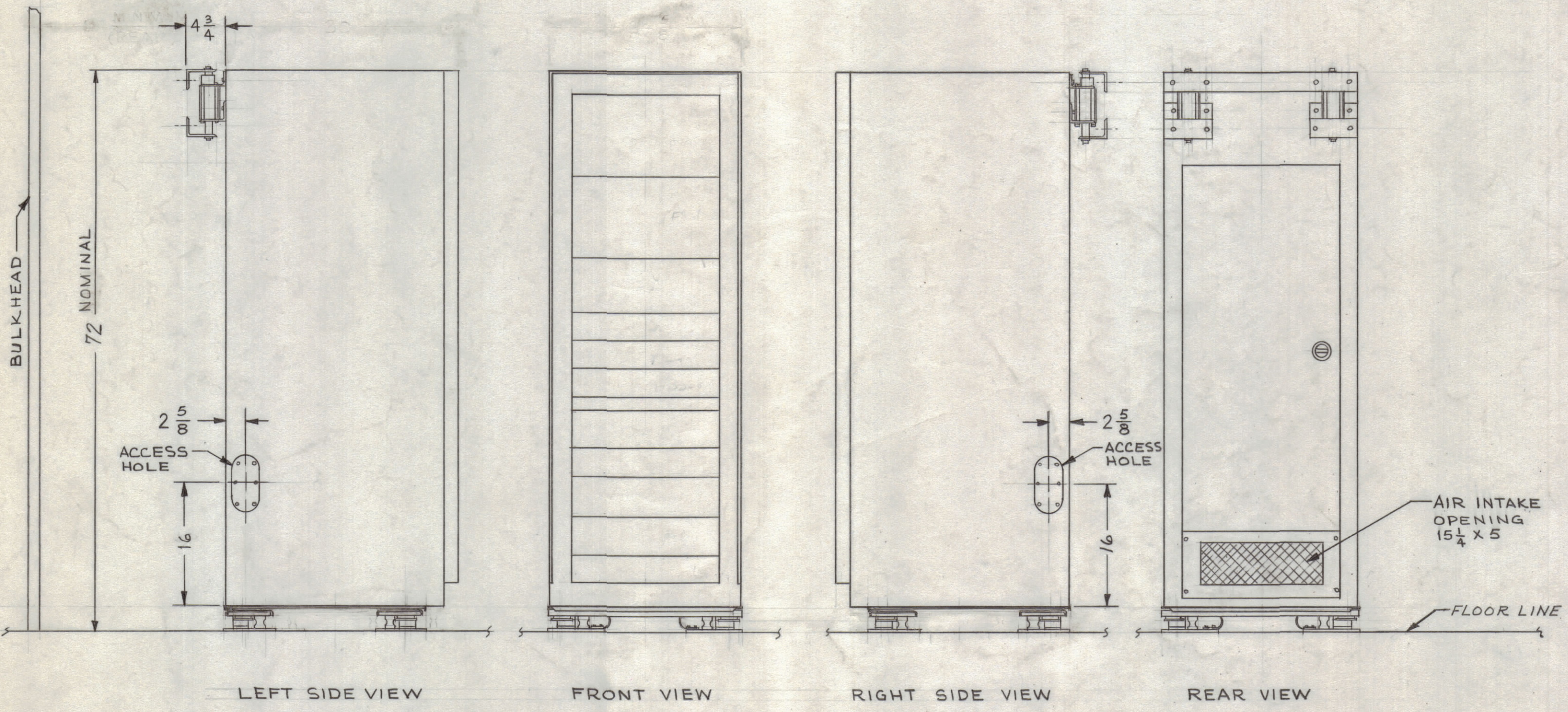
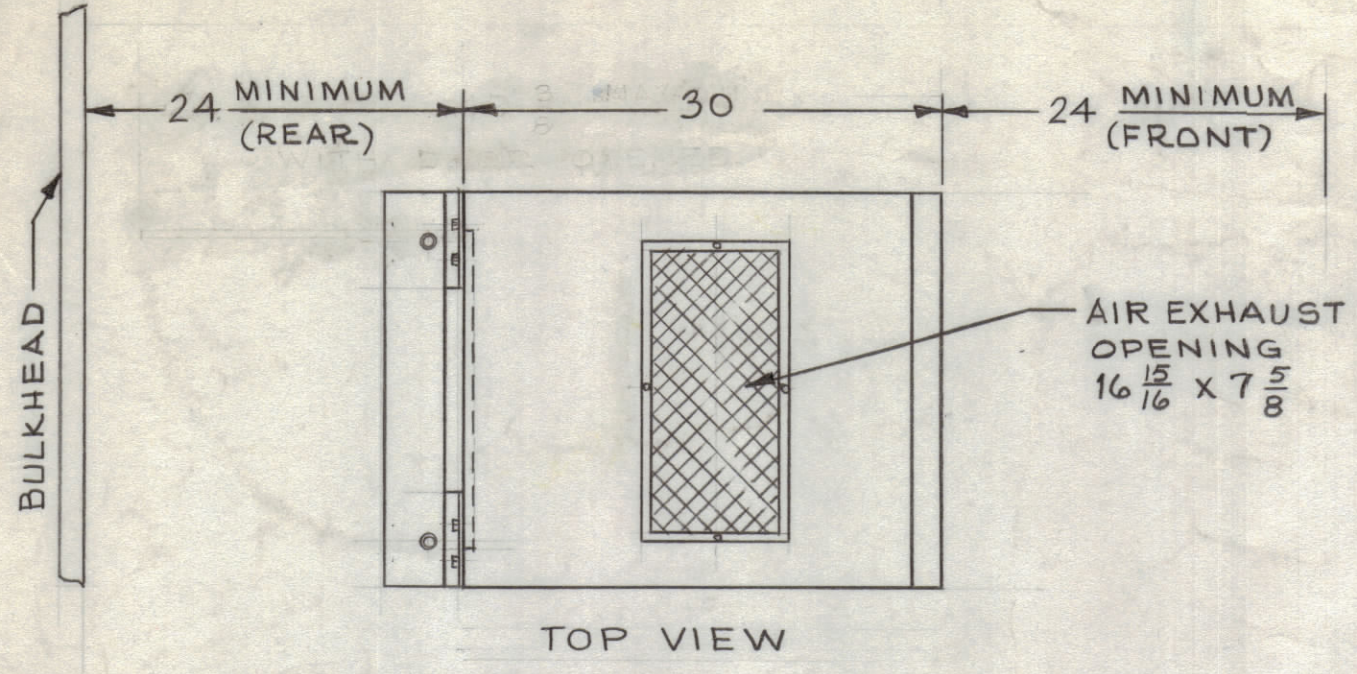


REVISIONS						
ZONE	SYM	DESCRIPTION	DATE	E.M.N. NO.	DRAFT	CHKD
	Ø	ORIGINAL RELEASED FOR PRODUCTION	4-15-65		MJT	
	A	RELOCATED 24 5/8 DIM	4-20-65	13901	MJT	
	B	SEE SHEET NO. 1	7-27-65	14476	DVV	
	C	SEE SHEET 4 OF 4	8/2/65	14633	DVV	



NOTES

Q'TY./UNIT	MODEL USED ON	ASS'Y. NO.
SCALE 1 IN. = 1 FT.	CODE RAK-76-2 (AL)	

THE CONTENTS OF THIS DRAWING ARE THE EXCLUSIVE PROPERTY OF THE TECHNICAL MATERIEL CORP. ITS UNAUTHORIZED USE OR REPRODUCTION IN WHOLE OR IN PART IS STRICTLY FORBIDDEN.

REQ'D.	ITEM	PART NUMBER	DESCRIPTION	SYMBOL
LIST OF MATERIAL				
MATERIAL		THE TECHNICAL MATERIEL CORP. MAMARONECK, NEW YORK		
FINISH		TITLE INSTALLATION DRAWING-MODEL DDR-SK OUTLINE & DIMENSIONAL DATA		
UNLESS OTHERWISE SPECIFIED DIMENSIONS ARE IN INCHES AND INCLUDE CHEMICALLY APPLIED OR PLATED FINISHES		DRAWN M TANTILLO	DATE 4-7-65	FINAL APPROVAL
DECIMALS .X ± .05 .XX ± .01 .XXX ± .005		CHECKED	DATE	DATE
FRACTIONS ± 1/64 ANGLES ± 0° 30'		ELECT. DES.	DATE	DATE
TOLERANCES		MECH. DES.	DATE	DATE
ID-323				C
SHEET 2 OF 4				REV. LTR.

ID-323
SHEET 2 OF 4