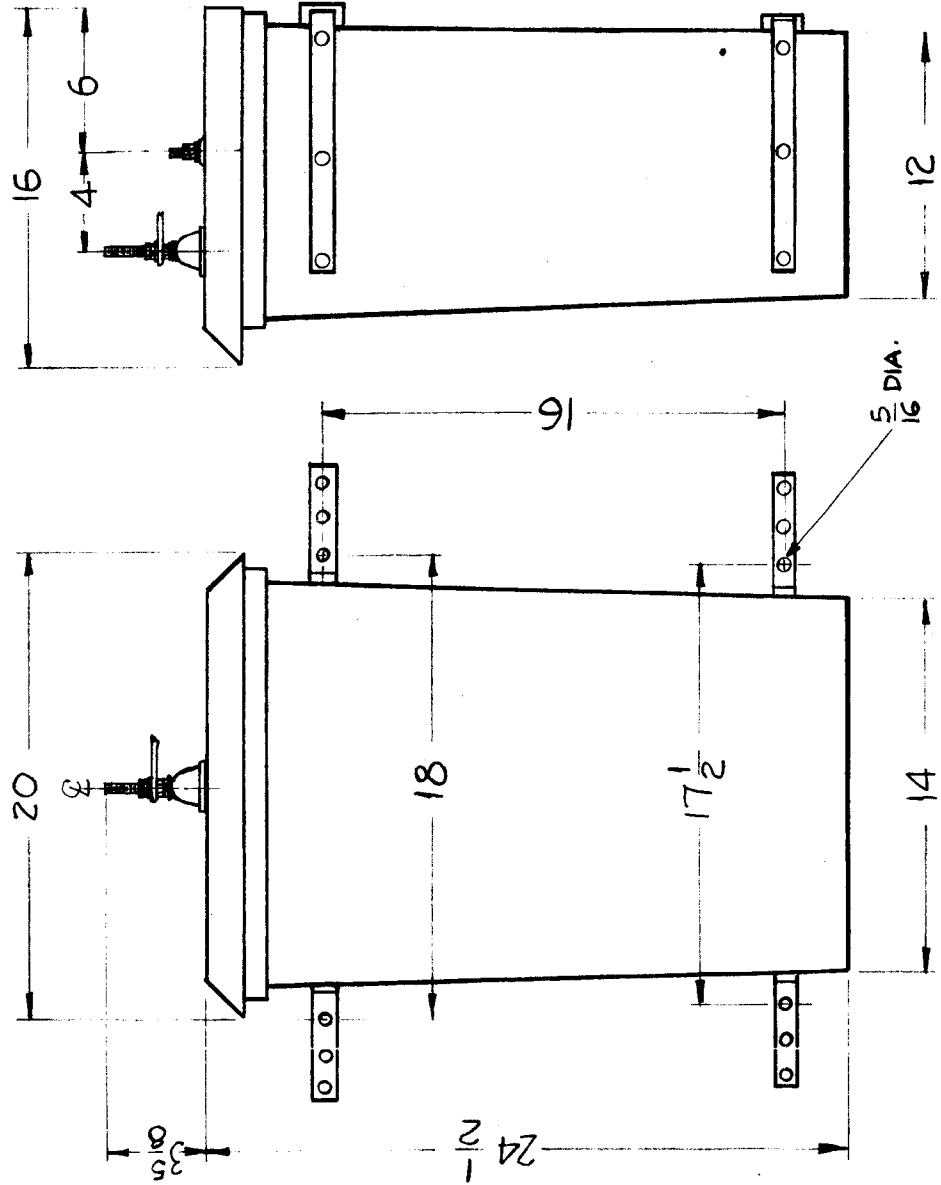


ISS. PER. UNIT	MODEL	USED ON	DATE
1	TER-1800-300U	ASSY. NO.	2-6-61
ID-243			A



**ELECTRICAL SPECIFICATIONS**

RESISTANCES - TER-1800-300  
 NOMINALLY 300Ω  
 DISSIPATION RATING - UP TO  
 1750 WATTS AT 30 MCS

**MECHANICAL SPECIFICATIONS**

CASE - FIBREGLASS REINFORCED  
 PLASTIC.

REQ. ITEM	PART NO.	DESCRIPTION	SYMBOL
		THE TECHNICAL MATERIEL CORP.	
		MAMARONECK, NEW YORK	
		MODEL TER-1800-300U	
		D.J. MAMM	2-B
		CHECKED	FINAL APPROVAL
		DRAWN	ID-243
		ELEC. DES. APP. MECH. DES. APP.	A
<p>SCALE:</p> <p>MAXIMUM ALLOWABLE TOLERANCES HAVE BEEN DETERMINED AND ANY DEVIATIONS WILL BE CAUSE FOR REJECTION. REMOVE ALL BURRS AND SHARP EDGES</p>			
ISSUE ITEM	CHANGED FROM	DATE	CH. NO.
A 1	TITLE WAS - MODEL TER-3500-300	9-25-62	7261
		DRAFTS	CHECKER
		ENG. APP.	
<p>TOLERANCES</p> <p>DEC. DIM. ±</p> <p>FRAC. DIM. ±</p> <p>ANGULAR DIM. ±</p>			