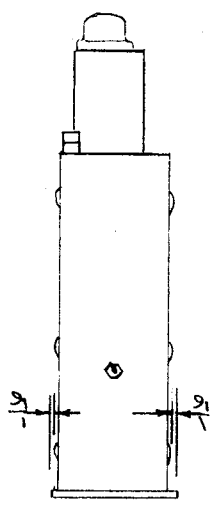
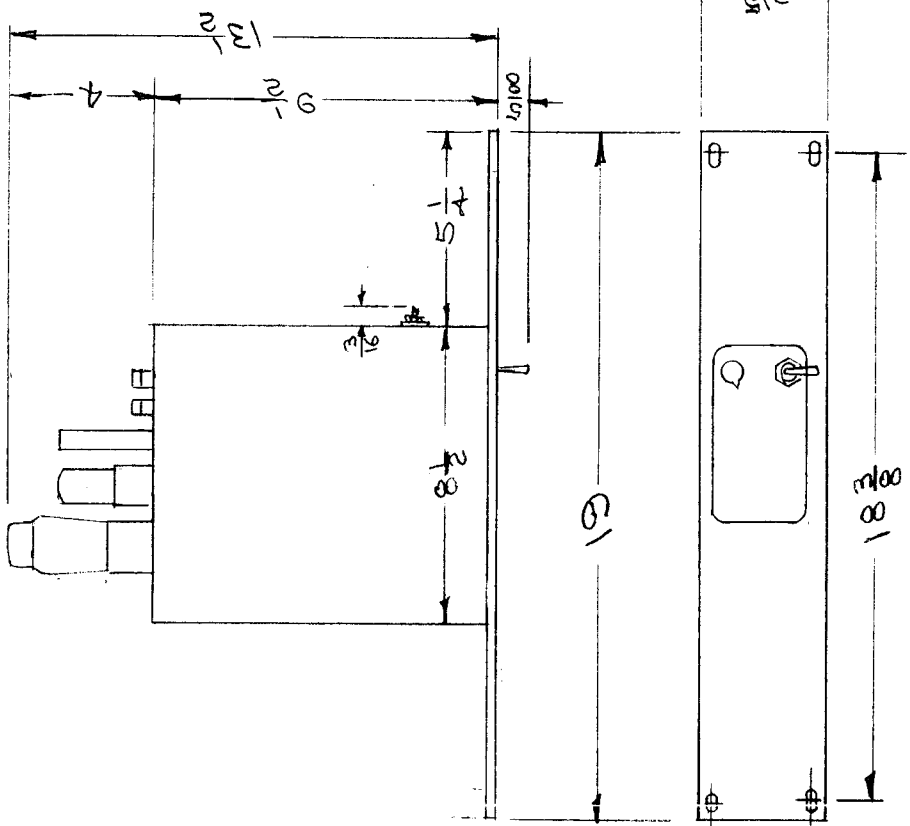
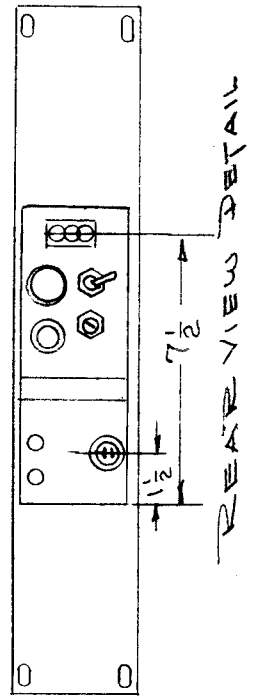
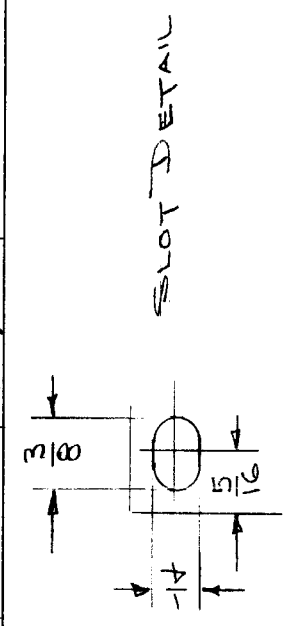


| | | |
|---------------|-------|------------|
| REQ. PER UNIT | MODEL | USED ON |
| | PSP-1 | ASS'Y. NO. |
| | | DATE |
| | | 4/18/57 |
| | | ID-200 A |



| REQ. ITEM | PART NO. | DESCRIPTION | SYMBOL |
|-----------|--------------------|---|----------|
| | | THE TECHNICAL MATERIEL CORP. MAMARONECK. NEW YORK | |
| | STOCK SIZE | | |
| | MATERIAL | | |
| | HEAT TREAT. SPEC. | | |
| | TYPE & TEMPER | | |
| | DRAWN | 4/18/57 | |
| | CHECKED | | |
| | FINAL APPROVAL | A.J.J. | |
| | FINISH & SPEC. NO. | | ID-200 A |
| | ELEC. DES. APP. | | |
| | MECH. DES. APP. | | |

| ISSUE ITEM | CHANGED FROM | DATE | CH. NO. | DRAFTS | CHECKER | ENG. APP. |
|------------|-----------------|--------|---------|---------|---------|-----------|
| A | REAR VIEW ADDED | 5/1/57 | 1 | 4/18/57 | A.J.J. | |

| TOLERANCES | |
|----------------|---|
| DEC. DIM. ± | MAXIMUM ALLOWABLE TOLERANCES HAVE BEEN DETERMINED AND ANY DEVIATIONS WILL BE CAUSE FOR REJECTION. |
| FRAC. DIM. ± | REMOVE ALL BURRS AND SHARP EDGES |
| ANGULAR DIM. ± | |