

**NOTICE TO PERSONS RECEIVING THIS DRAWING**  
 THE TECHNICAL MATERIEL CORPORATION claims proprietary right in the material disclosed hereon. This drawing is issued in confidence for engineering information only and may not be reproduced or used to manufacture anything shown hereon without permission from THE TECHNICAL MATERIEL CORPORATION to the user. This drawing is loaned for mutual assistance and is subject to recall at any time.

Property of:  
 THE TECHNICAL MATERIEL CORPORATION  
 MAMARONECK, NEW YORK

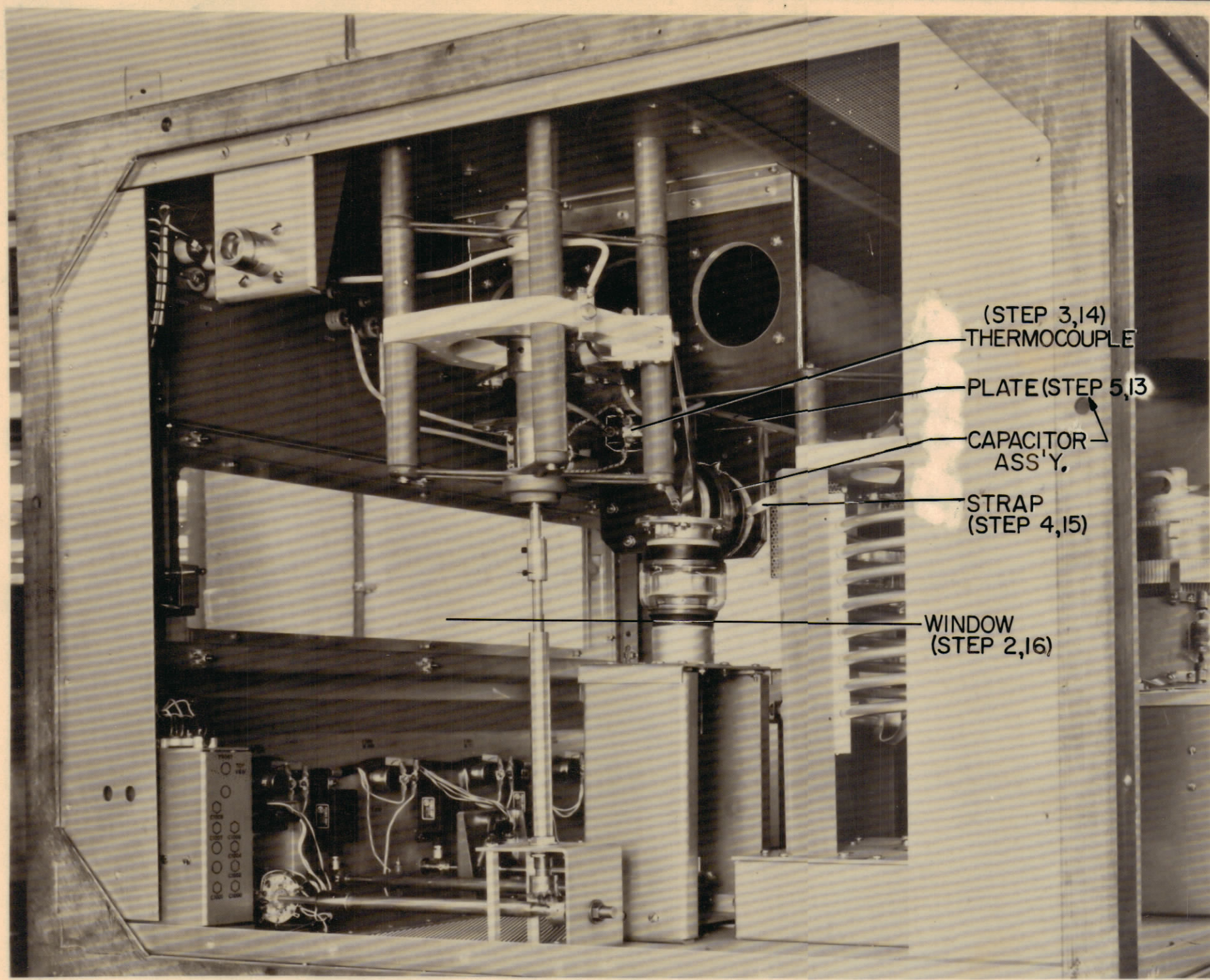


FIG 1

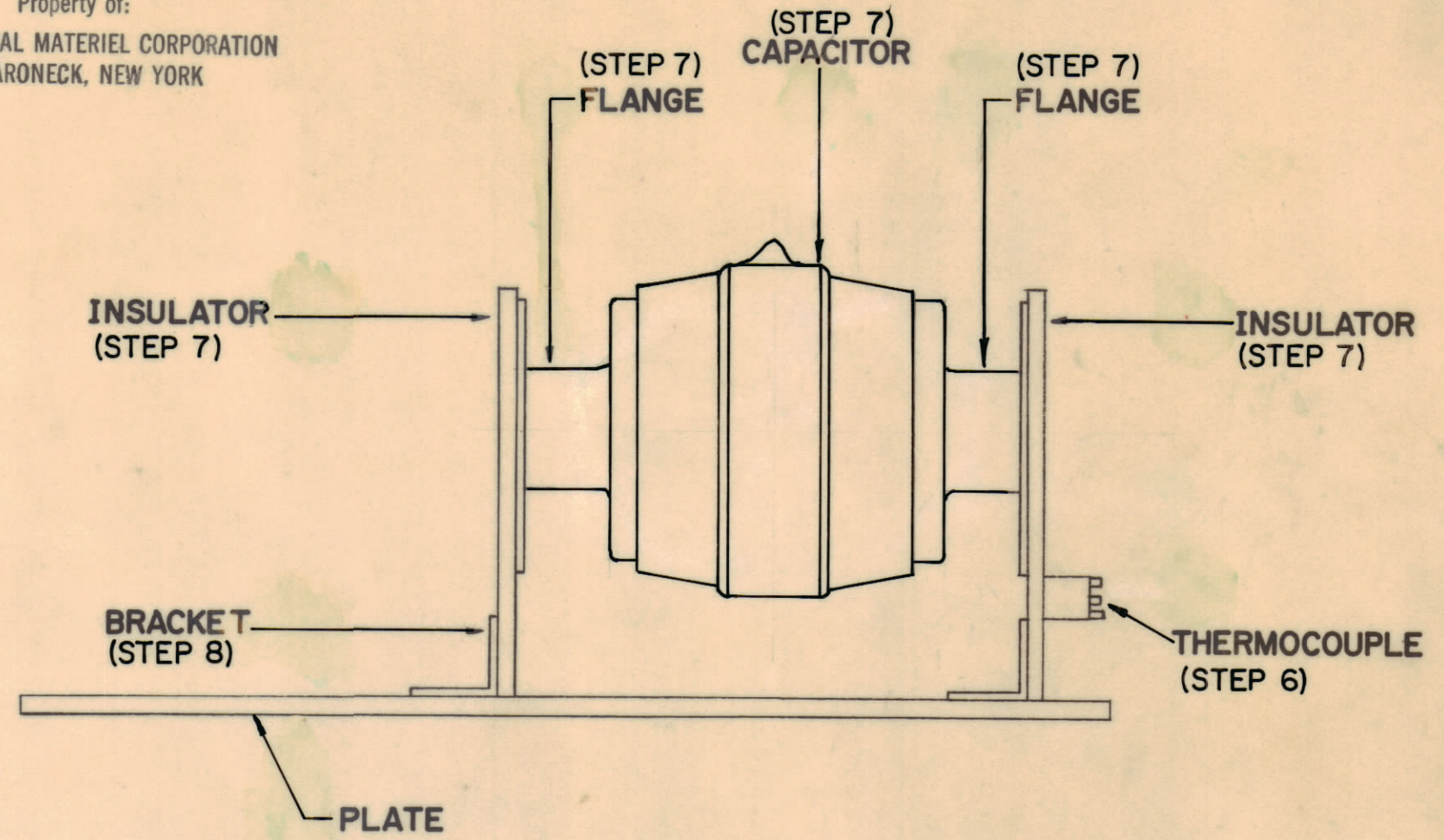


FIG 2

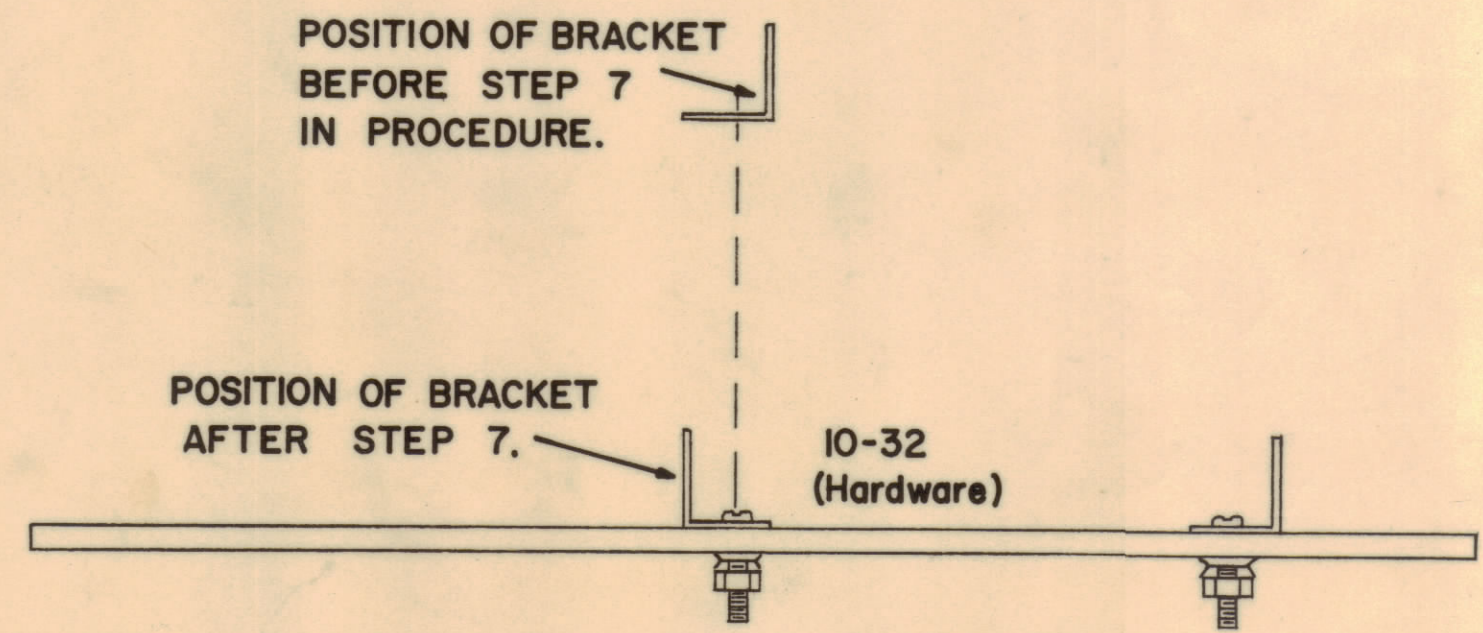


FIG 3

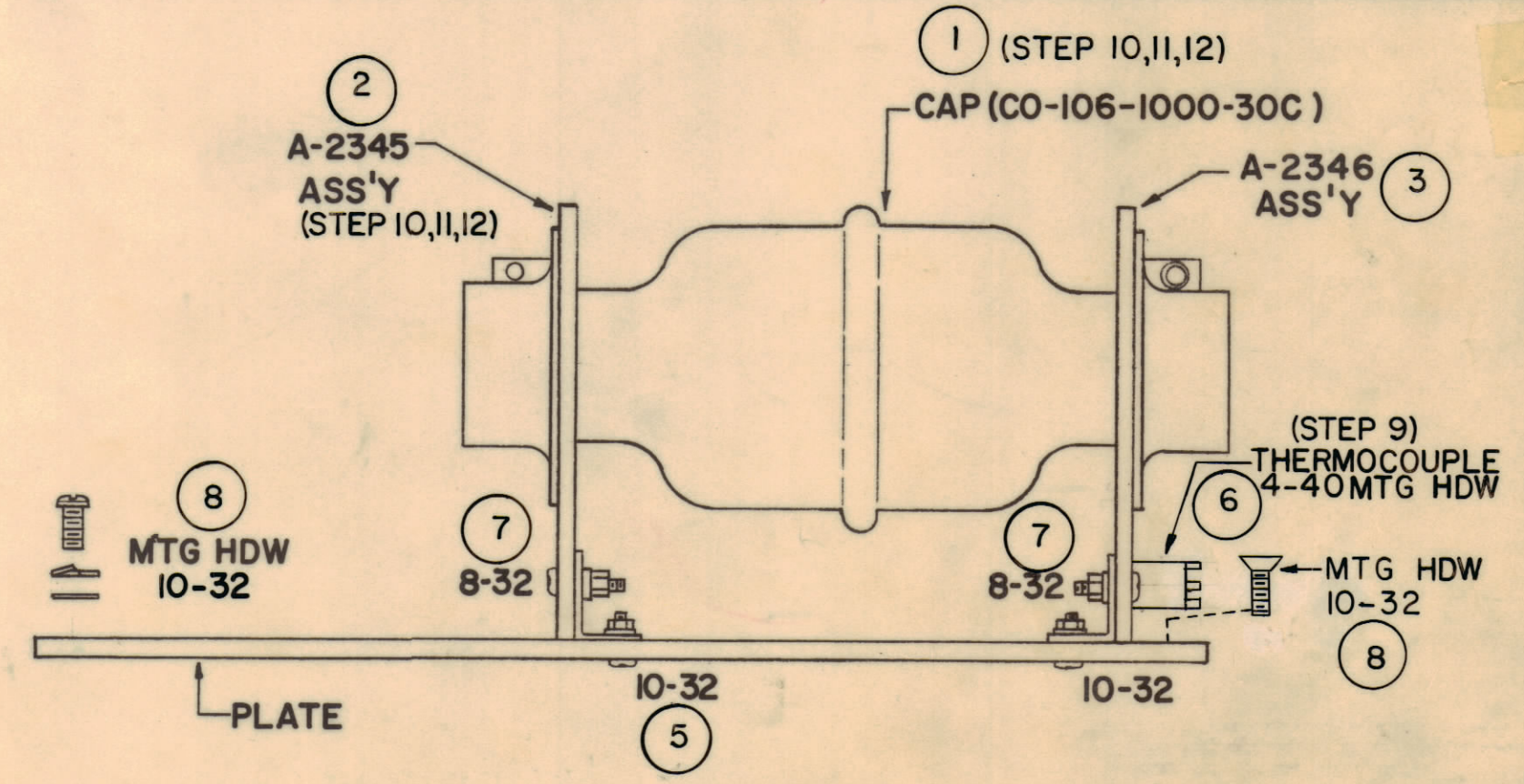


FIG 4

SYM	ZONE	DESCRIPTION	DATE	CH. NO.	DRAFTS	CHECKER	ENG. APP.
UNLESS OTHERWISE SPECIFIED:							
DIMENSIONS ARE IN INCHES							
TOLERANCES ON							
FRACTIONS ± 1/64    DECIMALS ± .005    ANGLES ± 1/2°							
SCALE $\phi$							
MAXIMUM ALLOWABLE TOLERANCES HAVE BEEN DETERMINED AND ANY DEVIATIONS WILL BE CAUSE FOR REJECTION. REMOVE ALL BURRS & SHARP EDGES							

1	KIT-125			3-1-62
REQ. PER UNIT	MODEL	SECTION	ASS'Y. NO.	DATE
				USED ON

REQ. ITEM	PART NO.	DESCRIPTION
		FRANK BUD.
		THE TECHNICAL MATERIEL CORP. MAMARONECK, NEW YORK
		INSTALLATION DETAIL, KIT-
		D. J. MANN RUIZZO
		DRAWN CHECKED FINAL APPROV
		2B aa ID-27
		ELEC. DES. APP. MECH. DES. APP. SHEET OF
		1 DEFIANCE