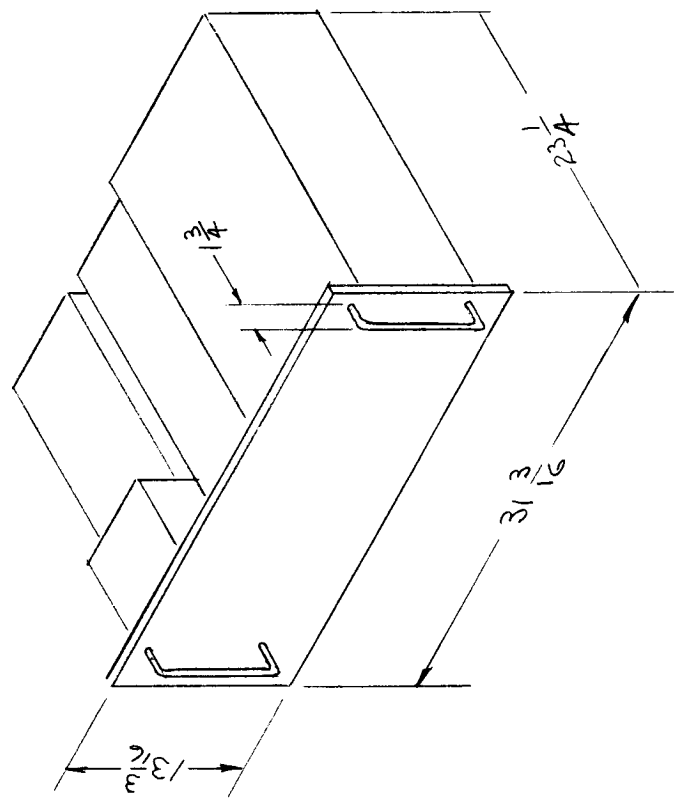


REQ. PER UNIT	MODEL	USED ON	
		ASSY. NO.	DATE
		ID-193	



REQ. ITEM	CHANGED FROM	DATE	CH. NO.	DRAFTS	CHECKER	ENG. APP.	REQ. ITEM	PART NO.	DESCRIPTION	SYMBOL	
									THE TECHNICAL MATERIEL CORP. MAMARONECK. NEW YORK		
									DIMENSIONAL OUTLINE DRAWING		
									MODEL RTF		
										A. J. J.	
										FINAL APPROVAL	
										ID-193	
ISSUE ITEM	CHANGED FROM	DATE	CH. NO.	DRAFTS	CHECKER	ENG. APP.	TYPE & TEMPER	HEAT TREAT. SPEC.	DRAWN	CHECKED	
TOLERANCES							SCALE:				
DEC. DIM. \pm	MAXIMUM ALLOWABLE TOLERANCES HAVE BEEN DETERMINED AND ANY DEVIATIONS WILL BE CAUSE FOR REJECTION.						REMOVE ALL BURRS AND SHARP EDGES				
FRAC. DIM. \pm											
ANGULAR DIM. \pm											
							FINISH & SPEC. NO.				
							ELEC. DES. APP. MECH. DES. APP.				