

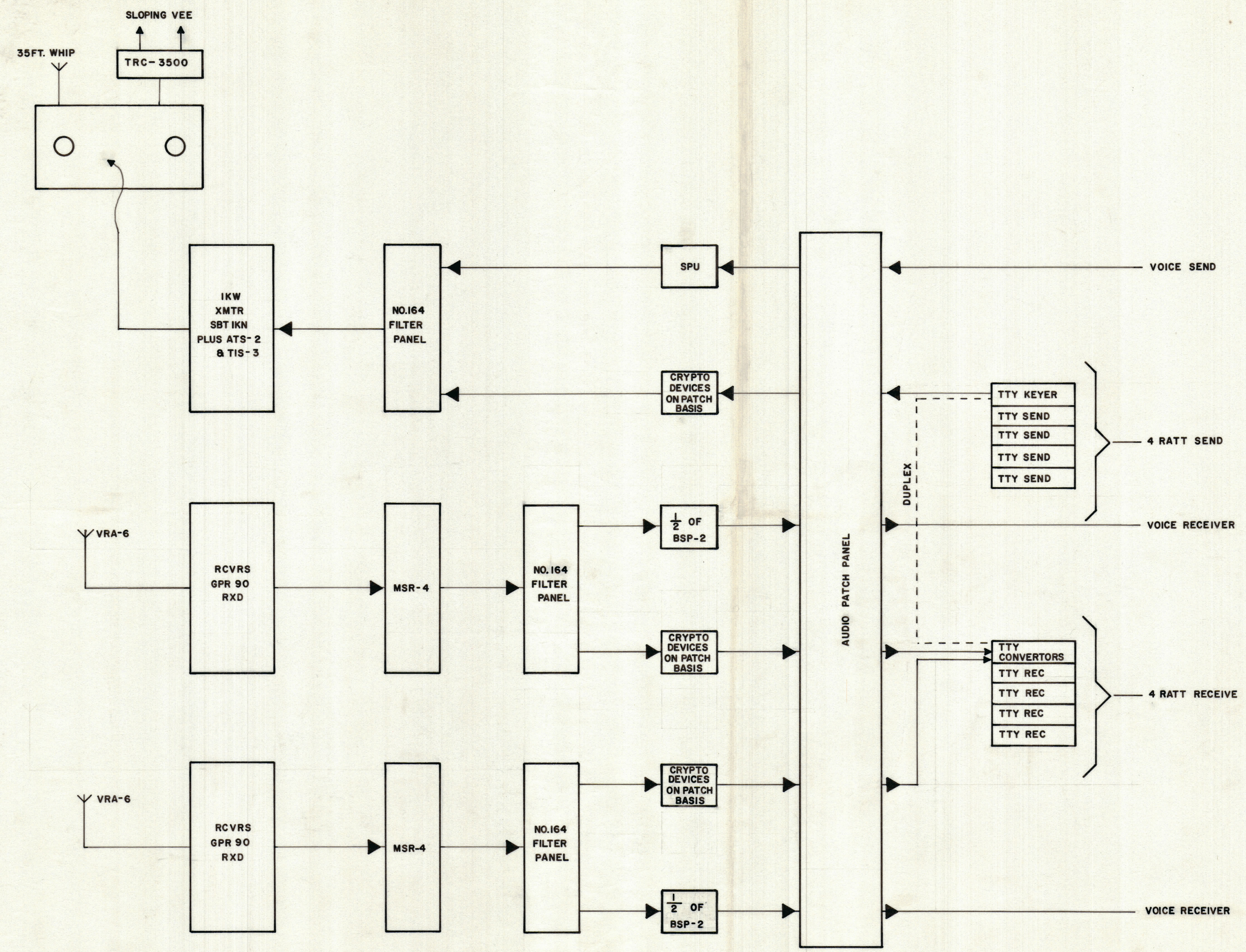
IF IT IS FOUND DESIRABLE TO CHANGE ANY TOLERANCE OR OTHER DETAIL SPECIFIED ON THIS DRAWING NOTIFY THE PURCHASER PROMPTLY.

MAXIMUM ALLOWABLE TOLERANCES HAVE BEEN DETERMINED AND DEVIATIONS WILL BE CAUSE FOR REJECTION. REMOVE ALL BURRS AND SHARP EDGES.

ISSUE ITEM CHANGED FROM DATE CN. NO. DRAFTER CHECKER ENG. APP.

DIMENSIONS IN INCHES UNLESS OTHERWISE SPECIFIED

REQ. ITEM PART NO. DESCRIPTION SYMBOL.



TOLERANCES: DEC. DIM. ±, FRACTIONAL DIM. ±, ANGULAR DIM. ±. SCALE: DRILL, PUNCH, COMMERCIAL STOCK SIZES AND MANUFACTURERS TOLERANCES ARE NOT INCLUDED.

MODEL PROJECT NO. ASSY. NO. DATE 31/7/63 USED ON

STOCK SIZE		TMC (Canada) LIMITED OTTAWA ONTARIO	
MATERIAL		SIMPLIFIED SYSTEM DIA. 1KW AIR	
WEIGHT PER PC.		TRANSP. COMM. CENTRAL	
TYPE & TEMPER.		R. BARE	
HEAT TREAT. SPEC.		DRAWN: [Signature] ELEC. DES. APP. [Signature] MECH. DES. APP. [Signature]	
FINISH & SPEC. NO.		CHECKED: [Signature] FINAL APPROVAL: [Signature]	
		ID 10276	