

IF IT IS FOUND DESIRABLE TO CHANGE ANY TOLERANCE OR OTHER DETAIL SPECIFIED ON THIS DRAWING NOTIFY THE PURCHASER PROMPTLY.

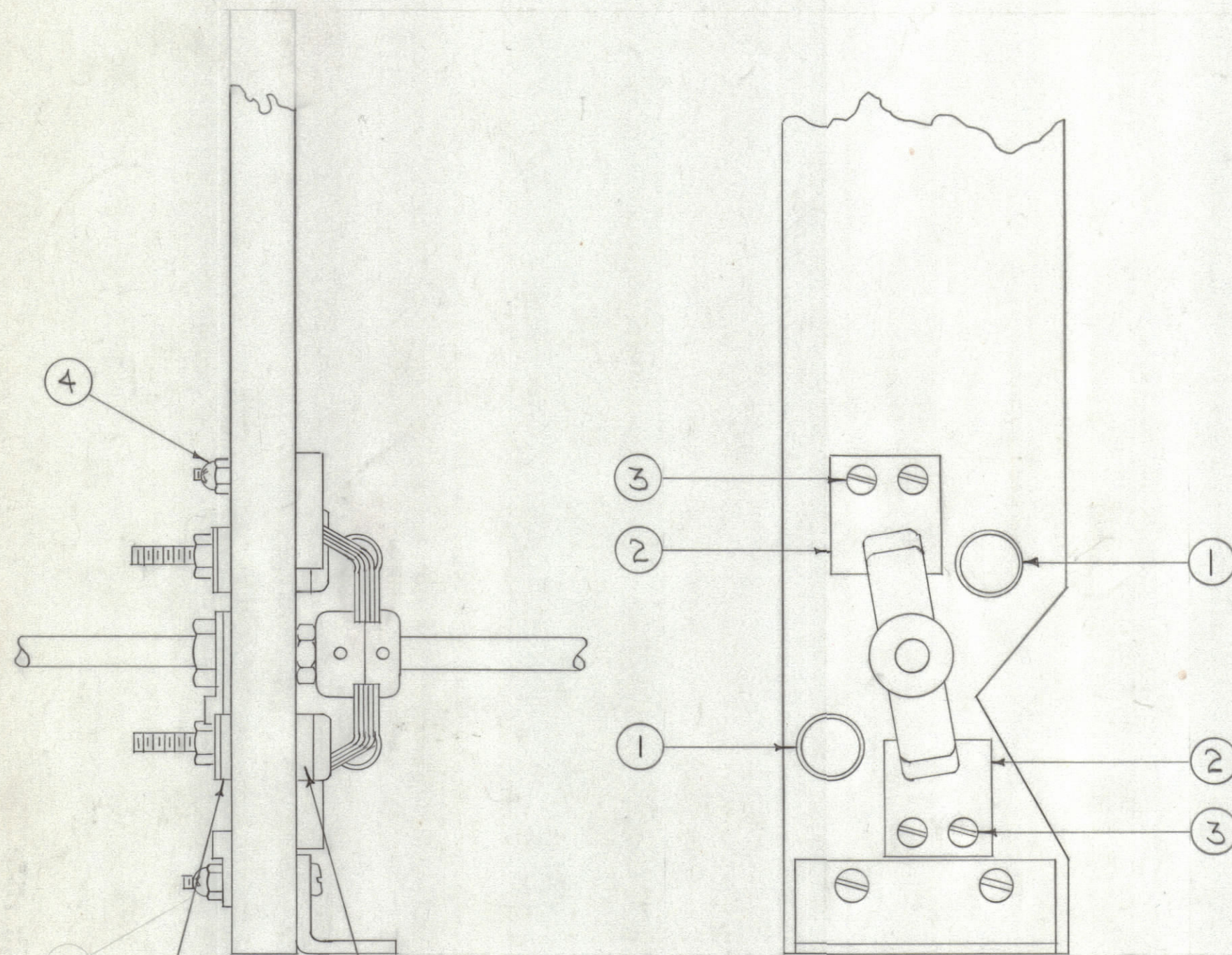
MAXIMUM ALLOWABLE TOLERANCES HAVE BEEN DETERMINED AND DEVIATIONS WILL BE CAUSE FOR REJECTION. REMOVE ALL BURRS AND SHARP EDGES

NOTICE TO PERSONS RECEIVING THIS DRAWING

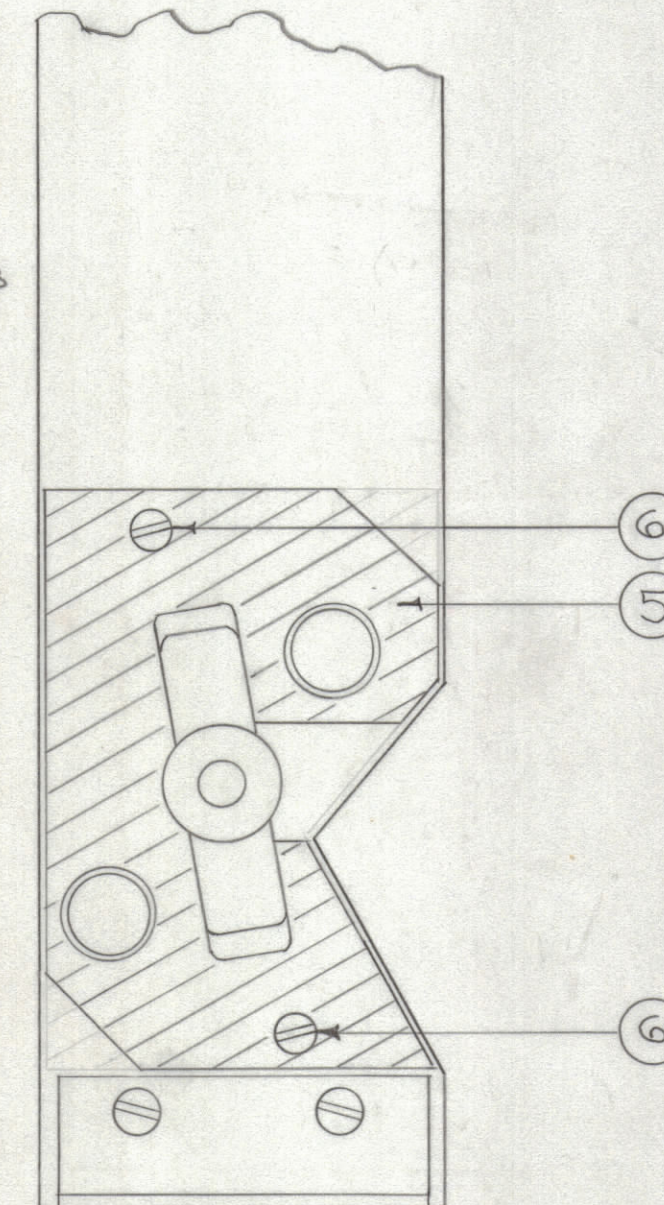
THE TECHNICAL MATERIEL CORPORATION claims proprietary right in the material disclosed hereon. This drawing is issued in confidence for engineering information only and may not be reproduced or used to manufacture anything shown hereon without permission from THE TECHNICAL MATERIEL CORPORATION to the user. This drawing is loaned for mutual assistance and is subject to recall at any time.

Property of:

THE TECHNICAL MATERIEL CORPORATION
MAMARONECK, NEW YORK



- 1- REMOVE AND RETAIN SWITCH CONTACTS (ITEM 1).
- 2- REMOVE AND DISCARD SWITCH RESTS (ITEM 2).
- 3- DISCARD FLAT HEAD SCREWS (ITEM 3).
- 4- RETAIN 2 LOCK NUTS (ITEM 4).
- 5- REPLACE SWITCH RESTS (ITEM 2) WITH ITEM 5 (PX-24-8 SHADED AREA) FURNISHED.
- 6- REPLACE FLAT HEAD SCREWS (ITEM 3) WITH ITEM 6 FURNISHED.
- 7- REPLACE SWITCH CONTACTS (ITEM 1) AND WASHER.



RETAIN DISCARD WASHERS FROM THIS SIDE ONLY

ID-135

ISSUE	ITEM	CHANGED FROM	DATE	CN. NO.	DRAFTS	CHECKER	ENG. APP.
TOLERANCES		SCALE:					
ALL OTHERS	DEC. DIM. \pm FRAC. DIM. \pm ANGULAR DIM. \pm	DRILL, PUNCH, COMMERCIAL STOCK SIZES AND MANUFACTURERS TOLERANCES ARE NOT INCLUDED.					

MODEL	PROJECT NO.	ASS'Y. NO.	DATE
USED ON			

REQ. ITEM	PART NO.	DESCRIPTION	SYMBOL
THE TECHNICAL MATERIEL CORP. MAMARONECK, NEW YORK			
STOCK SIZE			
MATERIAL WEIGHT PER PC.			
TYPE & TEMPER			
HEAT TREAT. SPEC.			
FINISH & SPEC. NO.			
		SPACER PLATE INSTALLATION LOAD SWITCH TAC-1	
		C.D.D. 8-4-54	
		DRAWN ELEC. DES. APP. MECH. DES. APP.	
		CHECKED FINAL APPROVAL	
		ID-135	