

REVISIONS						
ZONE	LTR	DESCRIPTION	DATE	E.M.N.NO	DRAFT	CHKD APPD
	X	EXPERIMENTAL RELEASE	8/15/68		C, V	JAO
	Ø	ORIG. RELEASE FOR PROD.	10/20/68	Ø	R, G.	JAO
	A	REVISED & UPDATED	5/18/90	1985	K11	

**ELECTRICAL SPECIFICATIONS**

**SIGNAL LOGIC (BCD Input)**  
 Signal Voltage\*  
 Logic "1" ..... E<sub>1</sub> Volts  
 Logic "0" ..... E<sub>0</sub> Volts

**POWER REQUIREMENTS (Note 3)**  
 DC Supply Voltage ..... 200 ± 10 VDC  
 DC Supply Current ..... 4.0 ma nom.

**ELECTRICAL CHARACTERISTICS @ 25°C**  
 1. Logic level E<sub>1</sub> is more positive than logic level E<sub>0</sub>.  
 2. Logic level separation (E<sub>1</sub>-E<sub>0</sub>) 2.0 volts minimum  
 3. Required Input current (Each input line) .5 ma max.

**TYPICAL LOGIC LEVELS**

1. 35V > (E<sub>1</sub>-E<sub>0</sub>) > 3V Logic "1" Logic "0" Pin 1 Pin 12

	+12V	0V	0V	—
	0V	-3V	-3V	—
2. 3V > (E <sub>1</sub> -E <sub>0</sub> ) > 2V	+2V	0V	—	0V
	+1V	-1V	—	-1V

**MECHANICAL CHARACTERISTICS**

Mounting Diagrams ..... See Figure 3  
 Outline ..... See Figure 3  
 Terminal Connections ..... See Table 1  
 Weight ..... 1 oz. nom.

Pin Number	Connection
1	E <sub>0</sub> Supply
2	8
3	4
4	2
5	1
6	NIXIE Tube Anode
7	1
8	2
9	4
10	8
11	+200 VDC (Note 3)
12	Auxiliary

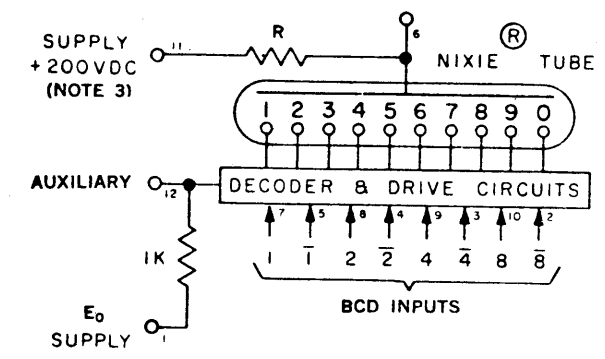


Figure 1. CONNECTION DIAGRAM (See Notes 1 and 2)  
 NOTE: R and the 1K resistor are included in the module.

Table 1. TERMINAL CONNECTIONS (See Note 1)

- NOTES:**
- PIN 6 (NIXIE TUBE ANODE) IS NOT USED EXCEPT IF DESIRED FOR ONE OF THE FOLLOWING REASONS:
    - DIMMING BY INTERRUPTING B+
    - BLANKING BY INTERRUPTING B+
    - BYPASSING ANODE SERIES RESISTOR FOR USE WHEN DIFFERENT SUPPLY VOLTAGES ARE REQUIRED.
  - NIXIE TUBE IS NOT INCLUDED AS PART OF MODULE.
  - D.C. RETURN FOR THE +200V SUPPLY IS NORMALLY CONNECTED TO E<sub>0</sub>.

QTY / UNIT	MODEL USED ON	ASS'Y NO.
	RTIH-3	
APPLICATION		
	CODE	S4C1-174 (BIP-8211)

**NOTICE TO PERSONS RECEIVING THIS DRAWING**  
 THE TECHNICAL MATERIEL CORPORATION claims proprietary right in the material disclosed hereon. This drawing is issued in confidence for engineering information only and may not be reproduced or used to manufacture anything shown hereon without permission from THE TECHNICAL MATERIEL CORPORATION to the user. This drawing is loaned for mutual assistance and is subject to recall at any time.

REF:  
 SOCKET: USE TMC P/N TS192  
 NIXIE TUBE NO: USE TMC P/N B1118

REQ'D	ITEM	PART NUMBER	DESCRIPTION	SYM.
<b>DE MARCO LIST OF MATERIAL</b>				
<b>THE TECHNICAL MATERIEL CORP.</b> MAMARONECK, NEW YORK				
<b>BINARY DECODER</b>				
SIZE	CODE IDENT. NO.	DWG NO.	IC 104	ISSUE
B	82679			A
SCALE			SHEET	OF