

IF IT IS FOUND DESIRABLE TO CHANGE ANY TOLERANCE OR OTHER DETAIL SPECIFIED ON THIS DRAWING NOTIFY THE PURCHASER PROMPTLY.

MAXIMUM ALLOWABLE TOLERANCES HAVE BEEN DETERMINED AND DEVIATIONS WILL BE CAUSE FOR REJECTION. REMOVE ALL BURRS AND SHARP EDGES

STANDARD DRAWING

HP-10010

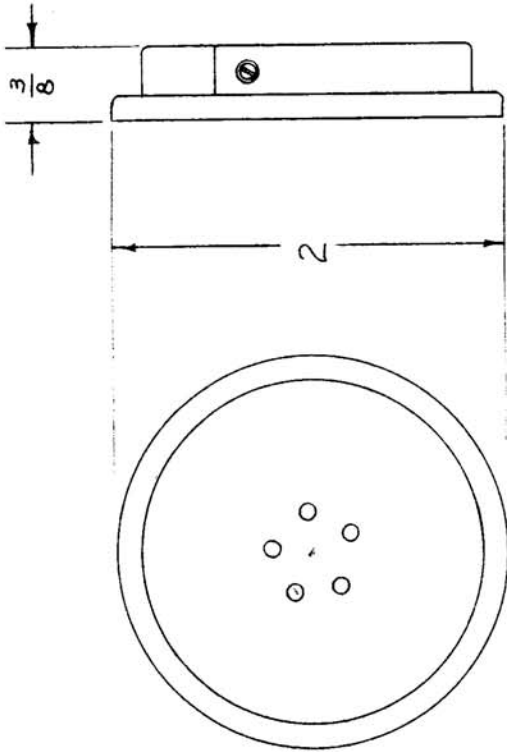
USED ON

DATE

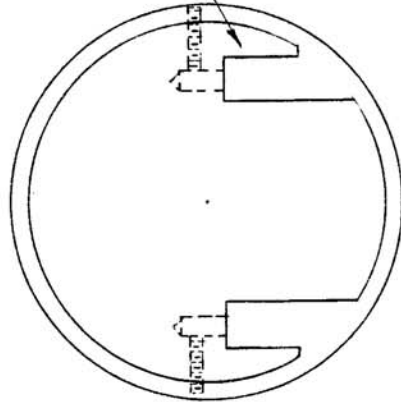
ASS'Y. NO.

PROJECT NO.

MODEL



ELECTRICAL SPECIFICATIONS —
 IMPEDANCE — 300 OHMS
 FREQUENCY — 200 - 4000 C.P.S.



TO FIT TE-123 TIPS (.156 DIA.)

REQ. ITEM	PART NO.	DESCRIPTION	SYMBOL
		TMC (Canada) LIMITED OTTAWA ONTARIO	
		EAR PHONE, WAFER	
STOCK SIZE			
MATERIAL			
TYPE & TEMPER			
HEAT TREAT. SPEC.			
FINISH & SPEC. NO.			
ISSUE ITEM	CHANGED FROM	DATE	CN. NO. DRAFTS
			CHECKER
			ENG. APP.
SCALE			
TOLERANCES			
ALL DEC. DIM. ±	DRILL, PUNCH, COMMERCIAL STOCK		
OTHERS FRAC. DIM. ±	SIZES AND MANUFACTURERS		
ANGULAR DIM. ±	TOLERANCES ARE NOT INCLUDED.		
DRAWN		ELEC. DES. APP.	MECH. DES. APP.
PB 2-14-55			WDC
CHECKED		FINAL APPROVAL	
JAC		HP-10010	