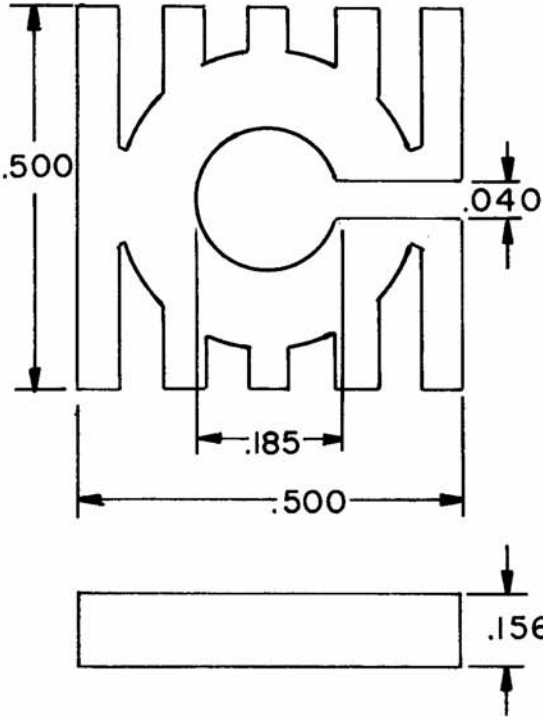


APPLICATION			REVISIONS						
QTY	MODEL USED ON	ASS'Y NO.	LTR	DESCRIPTION	DATE	E.M.N.NO	DRAFT	CHKD	APPD
1	MMX-( )-2	A4506	X	EXPERIMENTAL RELEASE	9/15/67				
			Ø	ORIG. RELEASE FOR PROD.	9-20-67	Ø		C.V. R.G.	
			A	ADD. PICT., DELE. PURCHASING NOTE	4-16-71	20324		R.F.	



MFGR PART NO: 20-5/32 A185  
 MFGR (TMC CODE #): S401-408

SPECIFICATIONS

MATERIAL: ALUMINUM ALLOY 6063-T6  
 FINISH: S120 BLACK ANODIZE

UNLESS OTHERWISE SPECIFIED  
 DIMENSIONS ARE IN INCHES  
 AND INCLUDE CHEMICALLY APPLIED  
 OR PLATED FINISHES

DECIMALS: .X ± .05, .XX ± .01, .XXX ± .005  
 FRACTIONS: 1/64  
 TOLS. ANGLES: 0° -30'

REQ'D	ITEM	PART NUMBER	DESCRIPTION	SYM.
-------	------	-------------	-------------	------

O. POSE LIST OF MATERIAL

FINAL APPROVAL: [Signature] DATE: 9/21/67  
 THE TECHNICAL MATERIEL CORP.  
 MAMARONECK, NEW YORK

MATERIAL

MECH. DES. [Signature] DATE: 7-20-67

FINISH

ELECT. DES. [Signature] DATE: 7-20-67

CHECKED [Signature] DATE: 7-20-67

DRAWN CV DATE: 9-15-67

**NOTICE TO PERSONS RECEIVING THIS DRAWING**  
 THE TECHNICAL MATERIEL CORPORATION claims proprietary right in the material disclosed hereon. This drawing is issued in confidence for engineering information only and may not be reproduced or used to manufacture anything shown hereon without permission from THE TECHNICAL MATERIEL CORPORATION to the user. This drawing is loaned for mutual assistance and is subject to recall at any time.

SIZE	CODE IDENT. NO.	DWG NO.	ISSUE
A	82679	HD 109	A
SCALE 1:1		SHEET 1 OF 1	