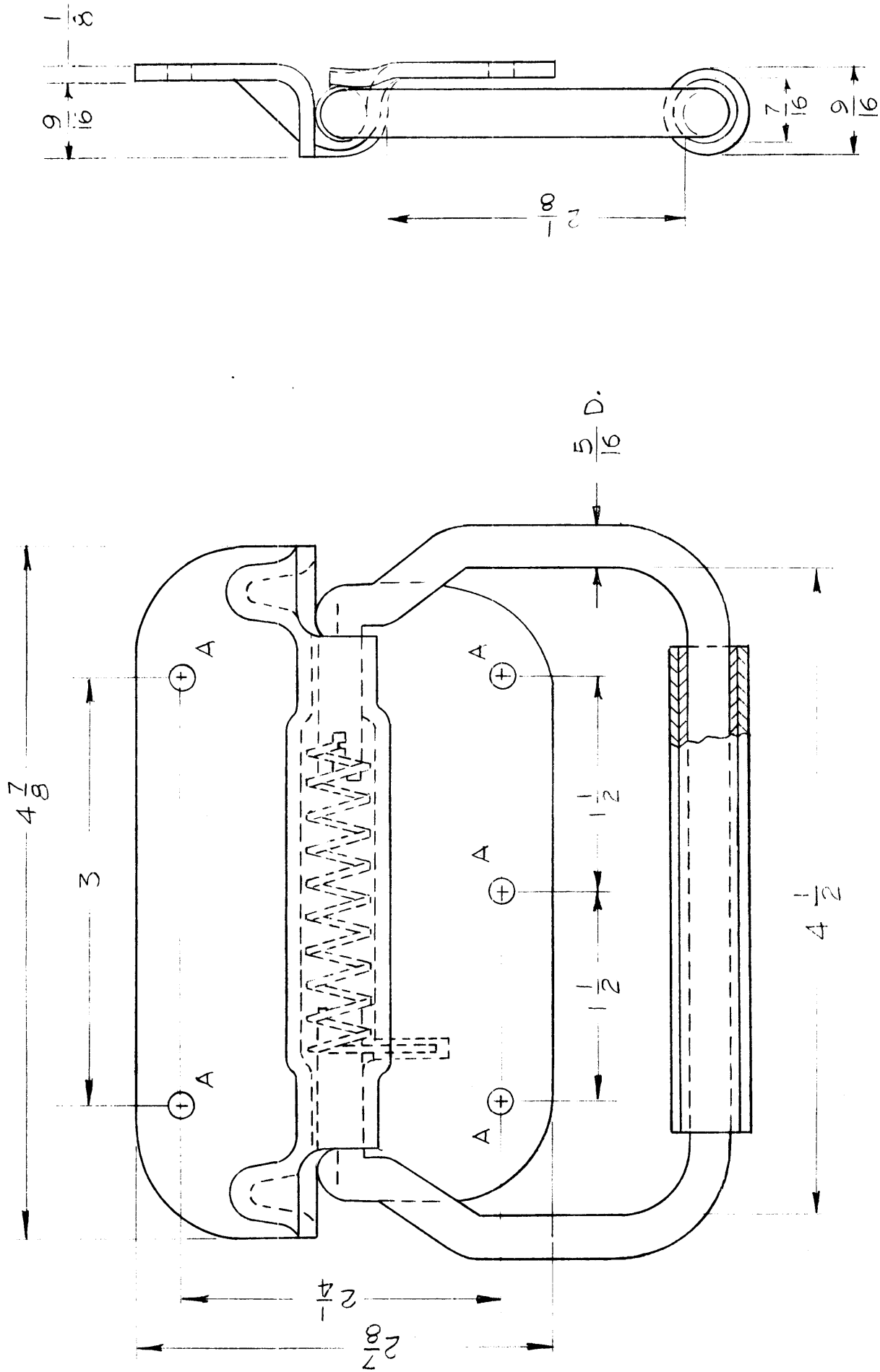


A HA-117



HOLE ~

A - .199 DIA. 5 REQ.

NOTE :

- * CADMIUM PLATED AND TO BE PAINTED
- RCAF BLUE GRAY OR PRAVE &
- PAINT TO CUSTOMER SPEC.

NOTICE TO REPAIRING PERSONNEL OF THIS DRAWING

THE TECHNICAL MATERIEL CORPORATION claims proprietary right in the material disclosed herein. This drawing is issued in confidence for engineering information only and may not be re-produced or used to manufacture anything shown herein without permission from THE TECHNICAL MATERIEL CORPORATION to the user. This drawing is loaned for mutual assistance and is subject to recall at any time.

Property of:

THE TECHNICAL MATERIEL CORPORATION
MAMARONECK, NEW YORK

REF. NIELSEN CO. No. H-946

SYMBOL	DESCRIPTION			
THE TECHNICAL MATERIEL CORP. MAMARONECK, NEW YORK	HANDLE			
UNLESS OTHERWISE SPECIFIED: DIMENSIONS ARE IN INCHES TOLERANCES ON FRACTIONS $\pm 1/64$ DECIMALS $\pm .005$ ANGLES $\pm 1/20$				
A	NOTE ADDED			
DATE	CH. NO.	DRAFTS	CHECKER	ENG. APP.
2-23-62	6405	G.S.	[Signature]	[Signature]
SCALE:				
MAXIMUM ALLOWABLE TOLERANCES HAVE BEEN DETERMINED AND ANY DEVIATIONS WILL BE CAUSE FOR REJECTION. REMOVE ALL BURRS AND SHARP EDGES				
REQ. PER UNIT	MODEL	SECTION	ASSY. NO.	DATE
2	TER-25K			9-28-61

REQ. ITEM	PART NO.	DESCRIPTION	SYMBOL
3/32 GA & E 101D STEEL		THE TECHNICAL MATERIEL CORP. MAMARONECK, NEW YORK	
MATERIAL		HANDLE	
TYPE & TEMPER	HEAT TREAT. SPEC.		
CADMIUM PLATED			
FINISH & SPEC. NO.			
		DRAWN	GOZ
		CHECKER	[Signature]
		ELEC. DES. APP. MECH. DES. APP.	HA-117
		FINAL APPROVAL	A