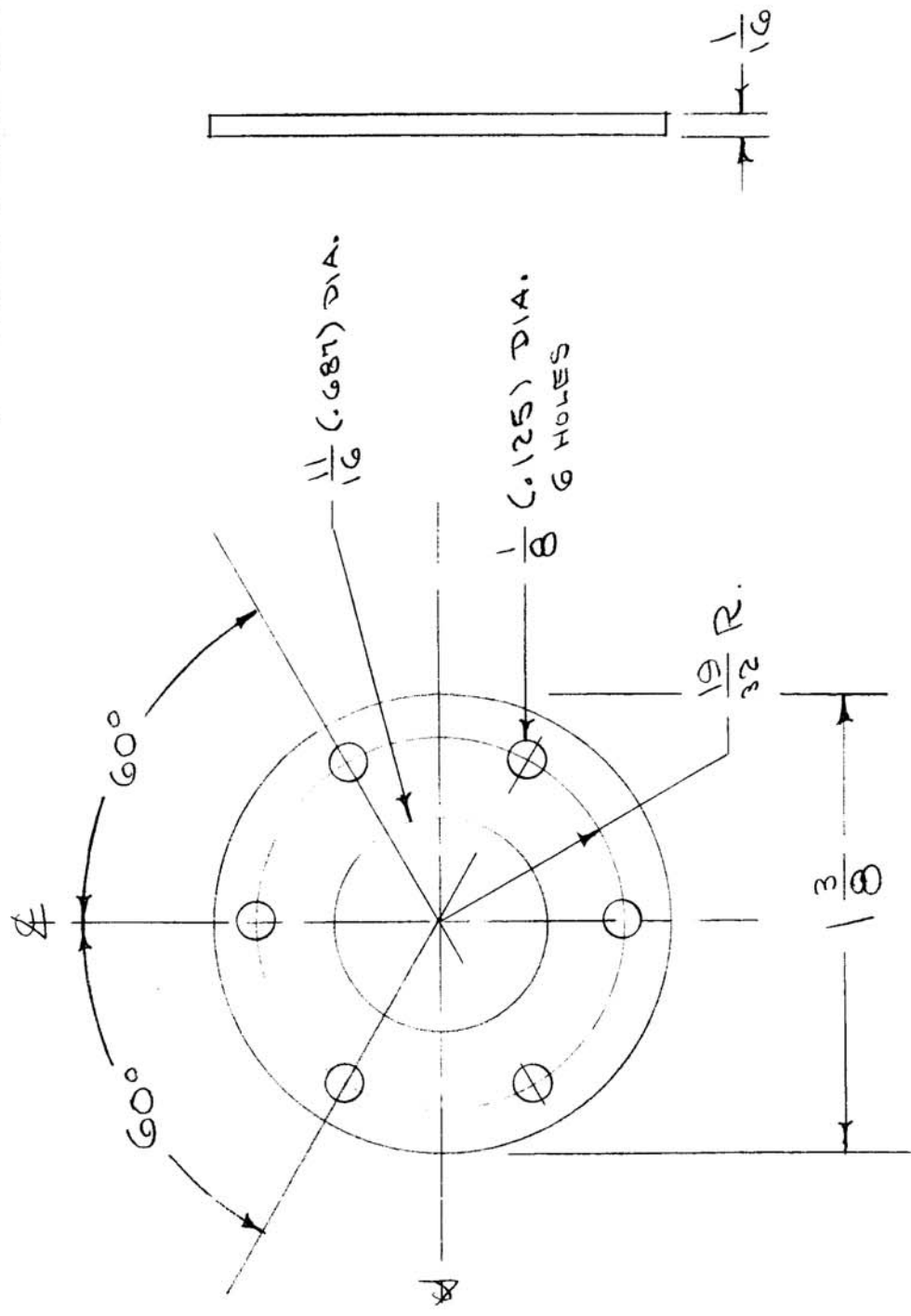


REQ. PER UNIT	USED ON	MODEL	DATE
1	ASBY. NO.	A-1173	12-13-55
	TCABS/35GPH		

GA-135



REQ. ITEM	PART NO.	DESCRIPTION	SYMBOL
$\frac{1}{16}$ THK STOCK SIZE		THE TECHNICAL MATERIEL CORP. MAMARONECK. NEW YORK	
NEOPRENE		GASKET, ADAPTER BODY.	
MATERIAL			
TYPE & TEMPER	HEAT TREAT. SPEC.	COR. 11/13/11	HADE
FINISH & SPEC. NO.		DRAWN	CHECKED
			WJC
			FINAL APPROVAL
			GA-135
			ELEC. DES. APP. MECH. DES. APP.

SCALE:

MAXIMUM ALLOWABLE TOLERANCES HAVE BEEN DETERMINED AND ANY DEVIATIONS WILL BE CAUSE FOR REJECTION. REMOVE ALL BURRS AND SHARP EDGES

DEC. DIM. \pm

FRAC. DIM. \pm

ANGULAR DIM. \pm