

IF IT IS FOUND DESIRABLE TO CHANGE ANY TOLERANCE OR OTHER DETAIL SPECIFIED ON THIS DRAWING NOTIFY THE PURCHASER PROMPTLY.

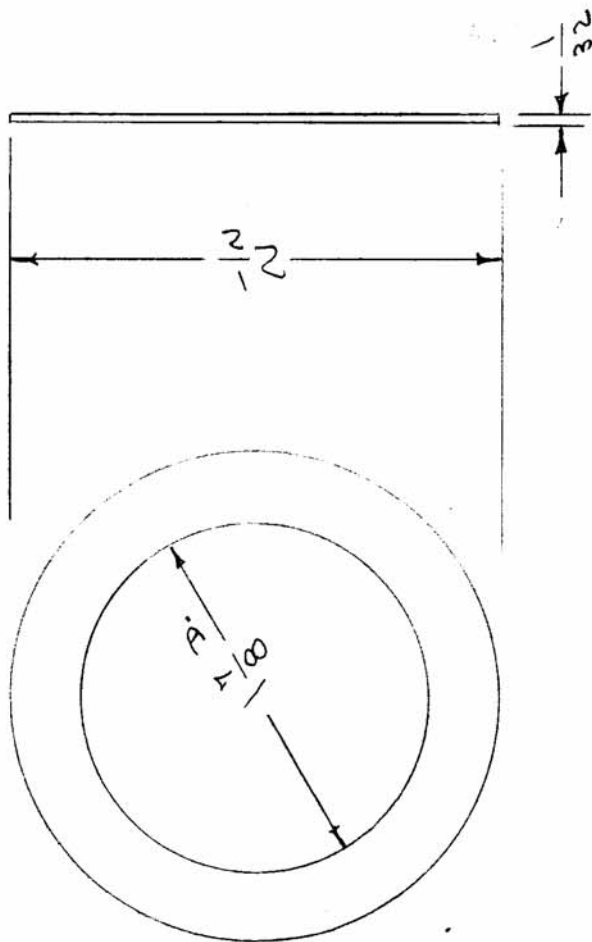
MAXIMUM ALLOWABLE TOLERANCES HAVE BEEN DETERMINED AND DEVIATIONS WILL BE CAUSE FOR REJECTION. REMOVE ALL BURRS AND SHARP EDGES

# STANDARD DRAWING

USED ON

REQ. PER UNIT	MODEL	PROJECT NO.	ASSY. NO.	DATE
2	VRA-1	259	A-811	7-27-54
2	VRA-22A	259	A-811	7-27-54
4	TRC-3500			1-20-56

GA-126 A



REQ. ITEM	PART NO.	DESCRIPTION	SYMBOL
1/32 THICK		THE TECHNICAL MATERIEL CORP. MAMARONECK. NEW YORK	
NEOPRENE		GASKET, INNER	
STOCK SIZE			
MATERIAL			
WEIGHT PER PC.			
TYPE & TEMPER			
HEAT TREAT. SPEC.			
FINISH & SPEC. NO.			

ISSUE ITEM	CHANGED FROM	DATE	CN. NO.	DRAFTS	CHECKER	ENG. APP.
A 2	STANDARD DRAWING ADDED	6/19/63	9337			
A 1	VRA DELETED FROM T. BLOCK					

SCALE	TOLERANCES	FINAL APPROVAL
		GA-126 A

DEC. DIM. ±	FRAC. DIM. ±	ANGULAR DIM. ±
	± 1/64	

DRILL, PUNCH, COMMERCIAL STOCK SIZES AND MANUFACTURERS TOLERANCES ARE NOT INCLUDED.