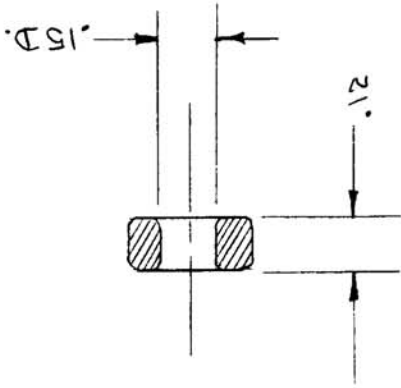
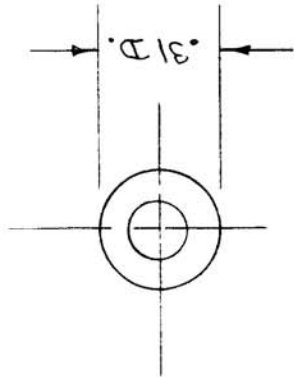


IF IT IS FOUND DESIRABLE TO CHANGE ANY TOLERANCE OR OTHER DETAIL SPECIFIED ON THIS DRAWING NOTIFY THE PURCHASER PROMPTLY.

MAXIMUM ALLOWABLE TOLERANCES HAVE BEEN DETERMINED AND DEVIATIONS WILL BE CAUSE FOR REJECTION. REMOVE ALL BURRS AND SHARP EDGES



DIMENSIONS FOR REF. ONLY

GA-113

USED ON

MODEL	PROJECT NO.	ASSY. NO.	DATE
SFP-1	121	A-370	3-31-53
SFP-2	121	A-370	4-16-53

WHEATON ELECTRONICS CORP. NO. HR-32

REQ. ITEM	PART NO.	DESCRIPTION	SYMBOL
#	#	THE TECHNICAL MATERIEL CORP. MAMARONECK, NEW YORK	
STOCK SIZE		NEOPRENE	
MATERIAL		NEOPRENE	
TYPE & TEMPER		INSULATING	
HEAT TREAT. SPEC.			
FINISH & SPEC. NO.			
ISSUE ITEM	CHANGED FROM	DATE	CN. NO.
TOLERANCES		SCALE	CHECKER
DEC. DIM. ±		1:1	ENG. APP.
FRAC. DIM. ±			
ANGULAR DIM. ±			
DRILL, PUNCH, COMMERCIAL STOCK SIZES AND MANUFACTURERS TOLERANCES ARE NOT INCLUDED.			
DRAWN		C.D.D 3-31-53	A. J. Jo
CHECKED		M.H.S.	
ELEC. DES. APP.			
MECH. DES. APP.			
FINAL APPROVAL			
GA-113			