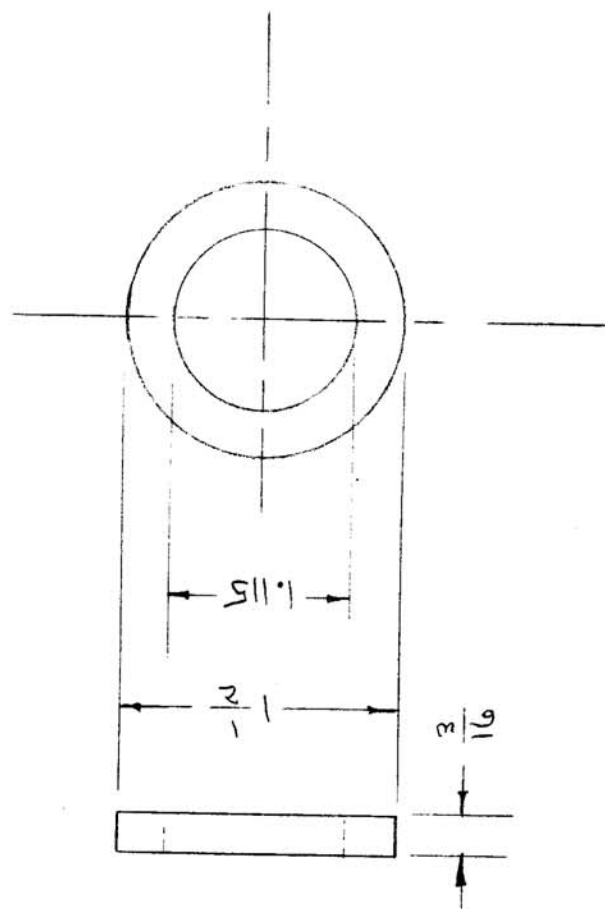


IF IT IS FOUND DESIRABLE TO CHANGE ANY TOLERANCE OR OTHER DETAIL SPECIFIED ON THIS DRAWING NOTIFY THE PURCHASER PROMPTLY.

MAXIMUM ALLOWABLE TOLERANCES HAVE BEEN DETERMINED AND DEVIATIONS WILL BE CAUSE FOR REJECTION. REMOVE ALL BURRS AND SHARP EDGES



GA-108

USED ON			
MODEL	PROJECT NO.	ASS'Y. NO.	DATE
ES85/U	135	A-113	7-23-54
TCA 85/12	154	A-133	9-4-54

REQ. ITEM	PART NO.	DESCRIPTION	SYMBOL
3/16(.187)		THE TECHNICAL MATERIEL CORP. MAMARONECK, NEW YORK	
NEOPRENE	—H—	GASKET	
MATERIAL	WEIGHT PER PC.		
F.R. DURUMETER 50-60			
TYPE & TEMPER			
HEAT TREAT. SPEC.			
FINISH & SPEC. NO.			

ISSUE ITEM	CHANGED FROM	DATE	CN. NO.	DRAFTS CHECKER	ENG. APP.
REDRAWN NO CHANGE		7/23/54		JAR	PMB
TOLERANCES					
DEC. DIM. ± .005					
FRAC. DIM. ± 1/64					
ANGULAR DIM. ±					
SCALE —H—					
DRILL, PUNCH, COMMERCIAL STOCK SIZES AND MANUFACTURERS TOLERANCES ARE NOT INCLUDED.					

C.D.D. 1-23-53
DRAWN
CHECKED
E.C. DES. APP.
MECH. DES. APP.

GA-108