

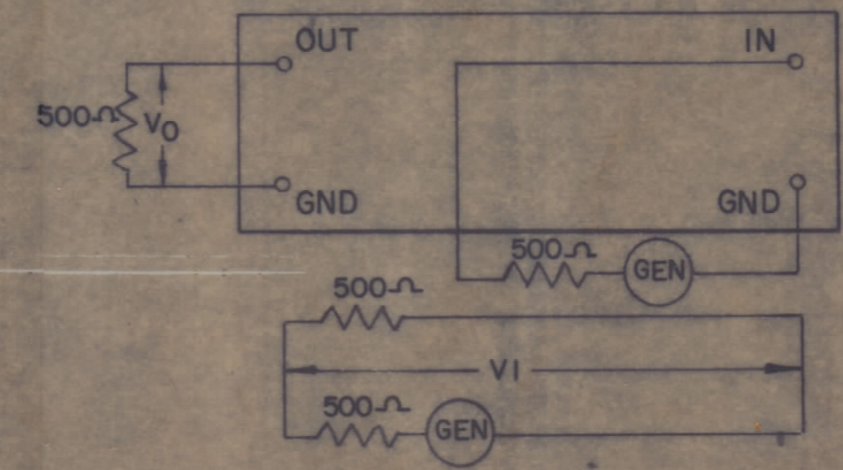
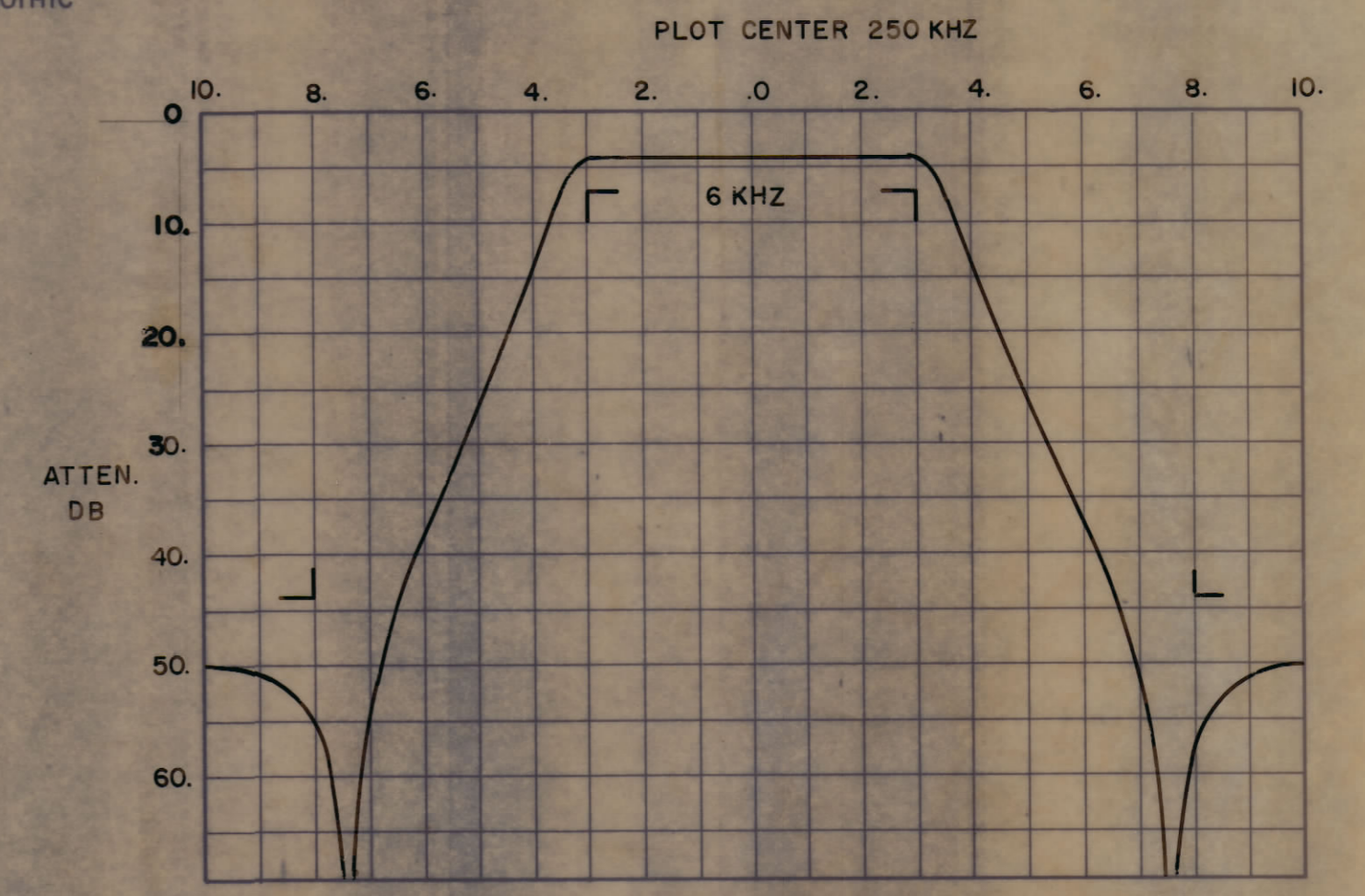
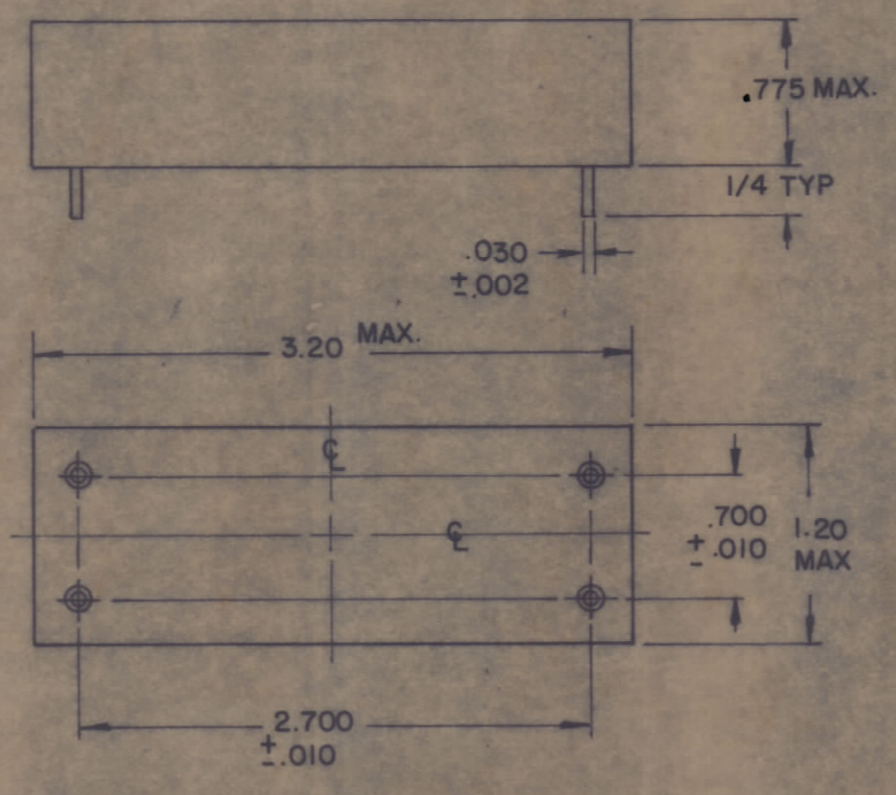
REVISIONS							
ZONE	LTR	DESCRIPTION	DATE	E.M.N.NO	DRAFT	CHKD	APPD
	Ø	ORIGINAL RELEASE FOR PRODUCTION	11/5/73			DV	

SPECIFICATIONS

CENTER FREQUENCY: 250KHz
 -3.0db BANDWIDTH: $f_c \pm 3000\text{Hz}$ MIN.
 -40db BANDWIDTH: $f_c \pm 8000\text{Hz}$ MAX.
 ULTIMATE STOPBAND: -40db MIN.
 SOURCE & LOAD Z : $500 \Omega \pm 5\%$
 INSERTION LOSS: 4.0db MIN. -6.0db MAX.
 PASSBAND RIPPLE: $\leq 3.0\text{db}$
 OPERATING TEMP. RANGE: 0° TO 50°C

FX 303
 6KHz SYM FILTER

LETTERING APPROX. SIZE SHOWN BLACK GOTHIC



QTY. REQ.	ITEM	PART NO.	DESCRIPTION	SYMBOL
F BUDETTI LIST OF MATERIAL				
FINAL APPROVAL		DATE	THE TECHNICAL MATERIEL CORP. MAMARONECK, NEW YORK	
MECH. DES.		DATE		
ELECT. DES.		DATE		
CHECKED		DATE		
DRAWN		DATE	FILTER 6KHZ SYM.	
SIZE	CODE IDENT. NO.	DWG NO.	ISSUE	
C	82679	FX303	Ø	
SCALE NTS			SHEET	OF

GPR 110		
QTY / UNIT	MODEL USED ON	ASS'Y NO.
APPLICATION		
CODE		

NOTICE TO PERSONS RECEIVING THIS DRAWING
 THE TECHNICAL MATERIEL CORPORATION claims proprietary right in the material disclosed hereon. This drawing is issued in confidence for engineering information only and may not be reproduced or used to manufacture anything shown hereon without permission from THE TECHNICAL MATERIEL CORPORATION to the user. This drawing is loaned for mutual assistance and is subject to recall at any time.

FX 303 Ø B