

REVISIONS						
ZONE	LTR	DESCRIPTION	DATE	E.M.N.NO	DRAFT	CHKD
	X	EXP. RELEASE	2-27-67		RME	
	Ø	ORIGINAL RELEASE	8/7/69	Ø	Ø	

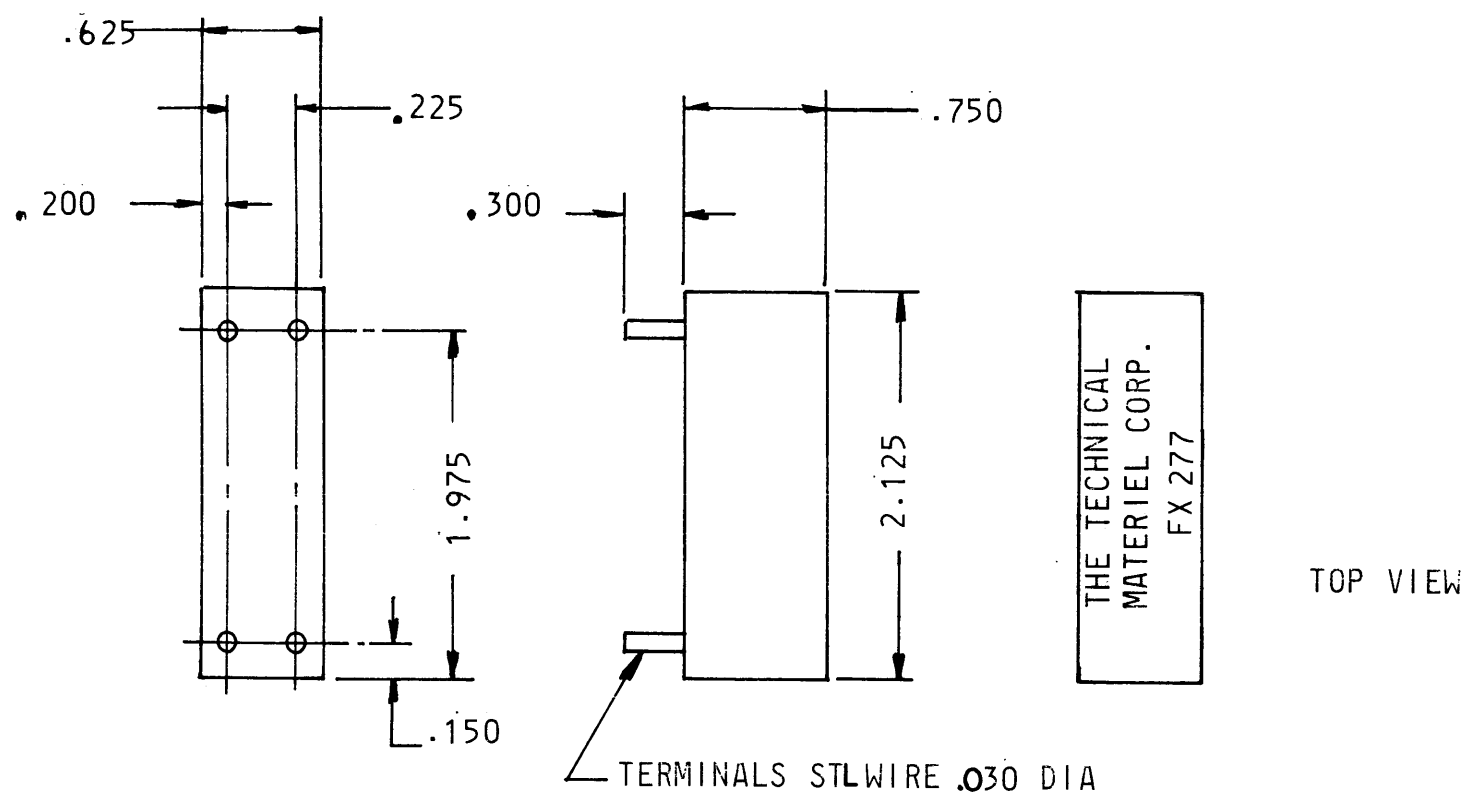


FIG. II

**ELECTRICAL SPECIFICATIONS**

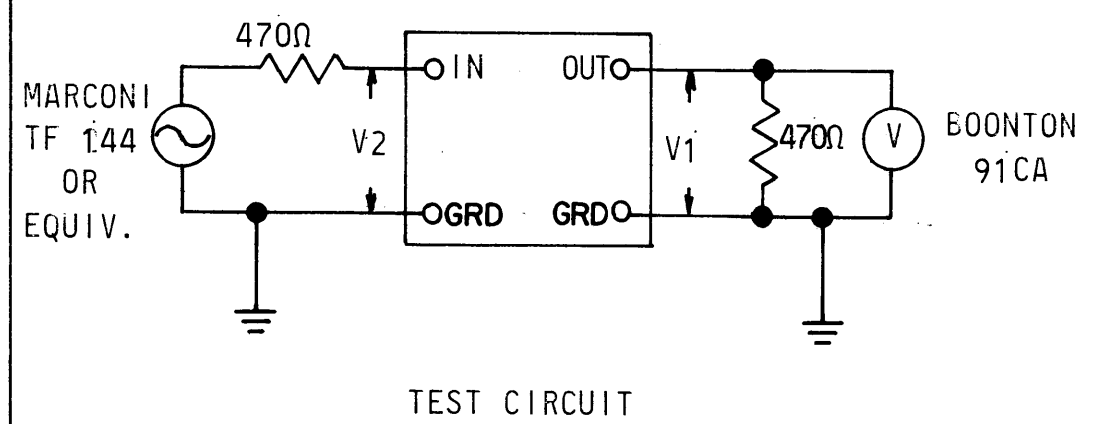
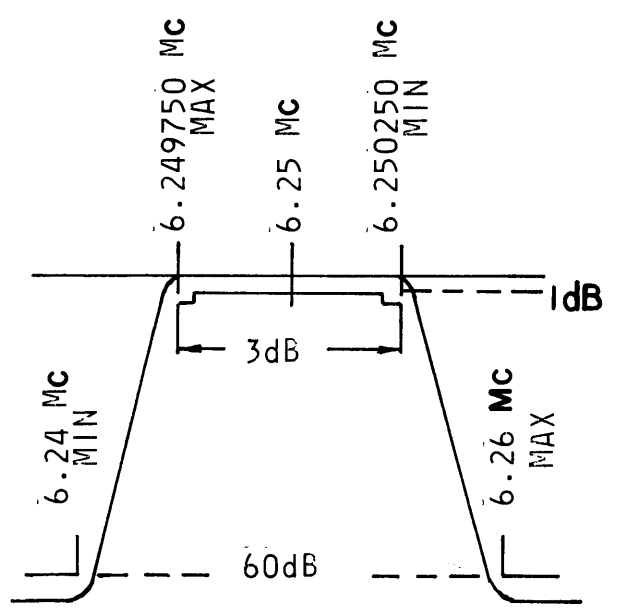
3 dB B.W.: 6.249,750 MC MAX.  
6.250,250 MC MIN.

60 dB B.W.: 6.24 MC MIN.  
6.26 MC MAX.

SOURCE IMPEDANCE: 470 Ω ±10%  
LOAD IMPEDANCE: 470 Ω ±10%  
INSERTION LOSS: 6dB MAX.  
PEAK TO VALLEY RATIO: 1dB MAX

**ENVIRONMENTAL REQUIREMENTS:**  
OPERATING TEMPERATURE RANGE: 0° TO 50°C

**MECHANICAL REQUIREMENTS:**  
UNIT TO BE HERMETICALLY SEALED  
DIMENSIONS: SEE FIG. II  
FINISH: POWDER BLASTED NICKEL  
MATERIAL: .020 BRASS  
MARKING: BLACK EPOXY INK.



QTY / UNIT	MODEL USED ON	ASS'Y NO.
1	CMR-41 I	
1	CMR-1 I	

**APPLICATION**

CODE C 5401-308

**NOTICE TO PERSONS RECEIVING THIS DRAWING**  
THE TECHNICAL MATERIEL CORPORATION claims proprietary right in the material disclosed hereon. This drawing is issued in confidence for engineering information only and may not be reproduced or used to manufacture anything shown hereon without permission from THE TECHNICAL MATERIEL CORPORATION to the user. This drawing is loaned for mutual assistance and is subject to recall at any time.

**MATERIAL**  
SEE NOTES

**FINISH**  
SEE NOTES

REQ'D	ITEM	PART NUMBER	DESCRIPTION	SYM.
	POSE		LIST OF MATERIAL	
<p>UNLESS OTHERWISE SPECIFIED DIMENSIONS ARE IN INCHES AND INCLUDE CHEMICALLY APPLIED OR PLATED FINISHES</p> <p>DECIMALS: .X ± .05, .XX ± .01, .XXX ± .005  FRACTIONS: 1/64  TOLS. ANGLES: 0°-30'</p>				
<p>SIGNAL APPROVAL: [Signature]</p> <p>MECH. DES. DATE: 8/7/69</p>			<p>THE TECHNICAL MATERIEL CORP.  MAMARONECK, NEW YORK</p>	
<p>ELECT. DES. DATE: [Signature]</p> <p>CHECKED DATE: [Signature]</p> <p>DRAWN DATE: [Signature]</p>			<p>FILTER, CRYSTAL  6.250 MC, BAND PASS</p>	
<p>SIZE B</p>		<p>CODE IDENT. NO. 82679</p>	<p>DWG NO. FX277</p>	<p>ISSUE Ø</p>
<p>SCALE —</p>			<p>SHEET OF</p>	