

FX221 A

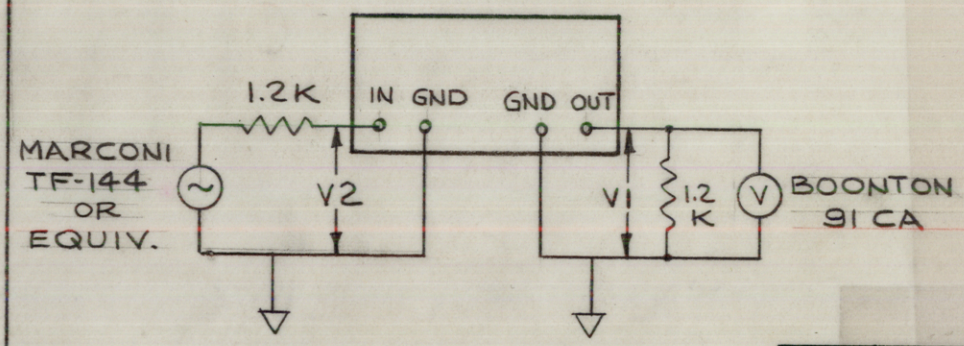
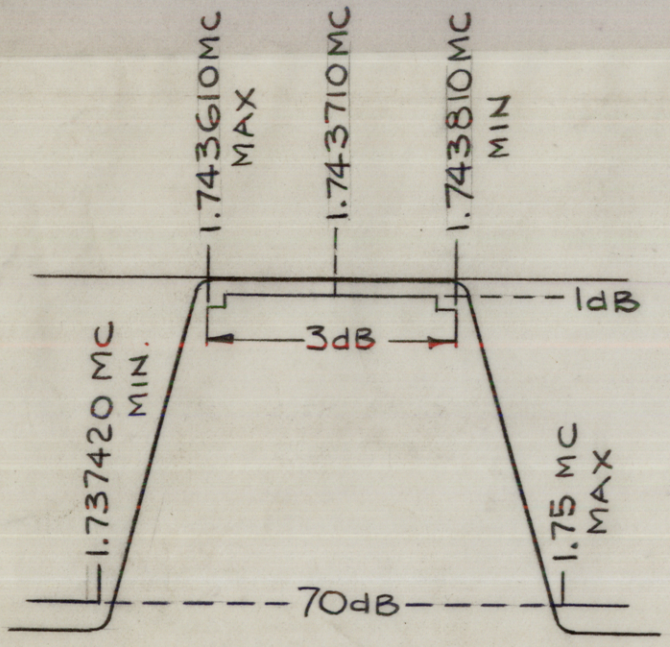
REVISIONS					
SYM	DESCRIPTION	DATE	E.M.N. NO.	DRAFT	CHKD APPD
Ø	ORIGINAL RELEASE FOR PRODUCTION	3.15.65	X	MB	
A	PICT. ADD MARKING "IN" "GRD" "OUT" "GRD"	3-20-67/18005		L.A.K.	

ELECTRICAL SPECIFICATIONS

3 db B.W.: 1,743,610 cps MAX.
 1,743,810 cps MIN.
 70 db B.W.: 1,737,420 cps MIN.
 1,750,000 cps MAX.
 SOURCE IMPEDANCE: 1.2K Ω ±10%
 LOAD IMPEDANCE: 1.2K Ω ±10%
 INSERTION LOSS: 6.0dB MAX.
 PEAK TO VALLEY RATIO: 1 dB MAX.
ENVIRONMENTAL REQUIREMENTS:
 OPERATING TEMPERATURE RANGE: 0 TO 50°C

MECHANICAL REQUIREMENTS

UNIT TO BE HERMETICALLY SEALED
 DIMENSIONS: SEE FIG. II
 FINISH: POWDER BLASTED NICKEL
 MATERIAL: .030 BRASS
 MARKING: BLACK EPOXY INK



TEST CIRCUIT

REQ'D.	ITEM	PART NUMBER	DESCRIPTION	SYMBOL
POSE LIST OF MATERIAL				
MATERIAL		SEE NOTES SS		
FINISH		POWDR SEE NOTES NICKEL		
UNLESS OTHERWISE SPECIFIED DIMENSIONS ARE IN INCHES AND INCLUDE CHEMICALLY APPLIED OR PLATED FINISHES		THE TECHNICAL MATERIEL CORP. MAMARONECK, NEW YORK TITLE: FILTER, CRYSTAL 1.743710 MC BANDPASS CRYSTAL FILTER 3db BW200 cps MIN.		
DECIMALS	TOLERANCES		FRACTIONS	
.X ± .05			± 1/64	
.XX ± .01			ANGLES	
.XXX ± .005			± 0° 30'	
Q'TY./UNIT	MODEL USED ON	ASS'Y. NO.	DRAWN	DATE
SCALE	CODE		5/14/65	5/14/65
1:1	C		DATE	DATE
			5/19/65	5/14/65
THE CONTENTS OF THIS DRAWING ARE THE EXCLUSIVE PROPERTY OF THE TECHNICAL MATERIEL CORP. ITS UNAUTHORIZED USE OR REPRODUCTION IN WHOLE OR IN PART IS STRICTLY FORBIDDEN.			DRAWN: MB CHECKED: JCB ELECT. DES.: JP MECH. DES.: DATE: 5/19/65 SHEET:	
			FINAL APPROVAL: [Signature] FX221 REV. LTR. A	

NOTES