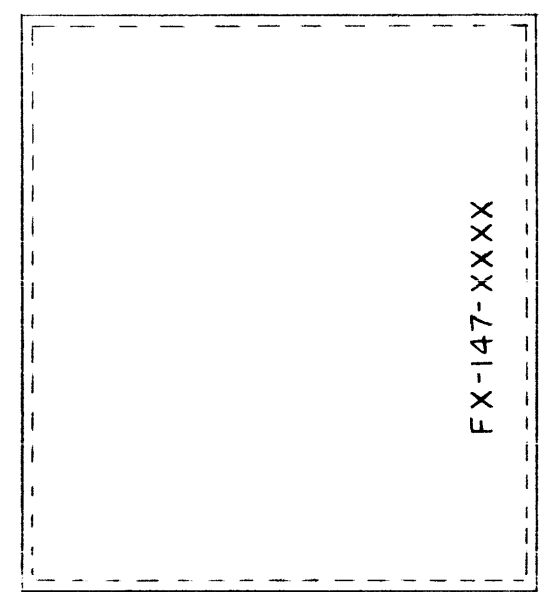
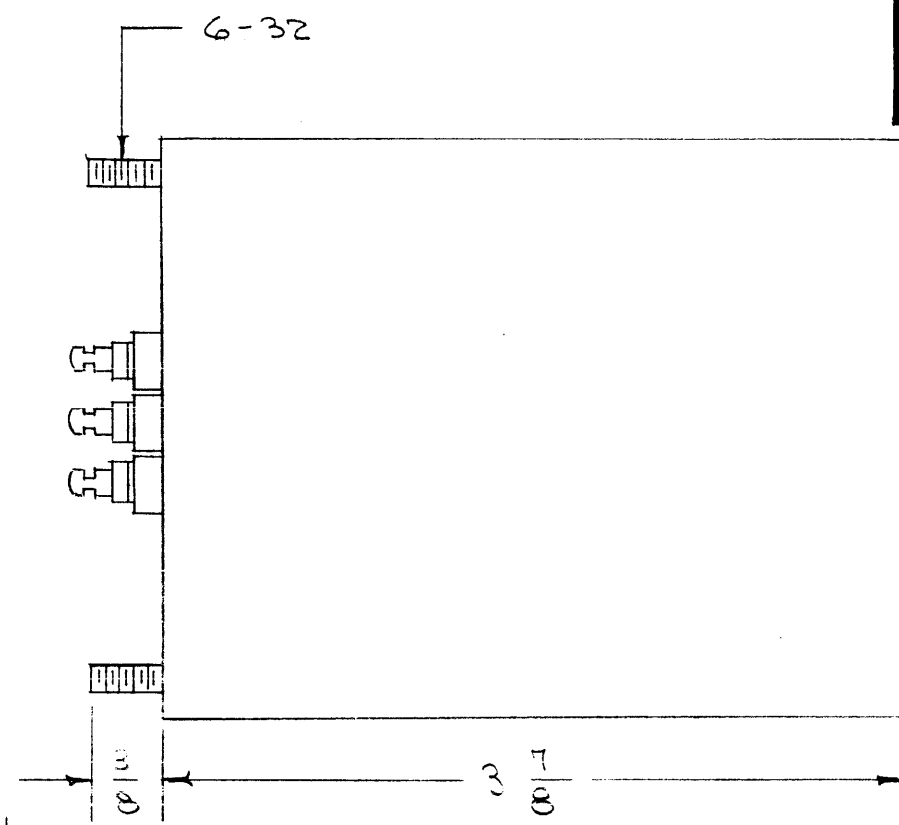
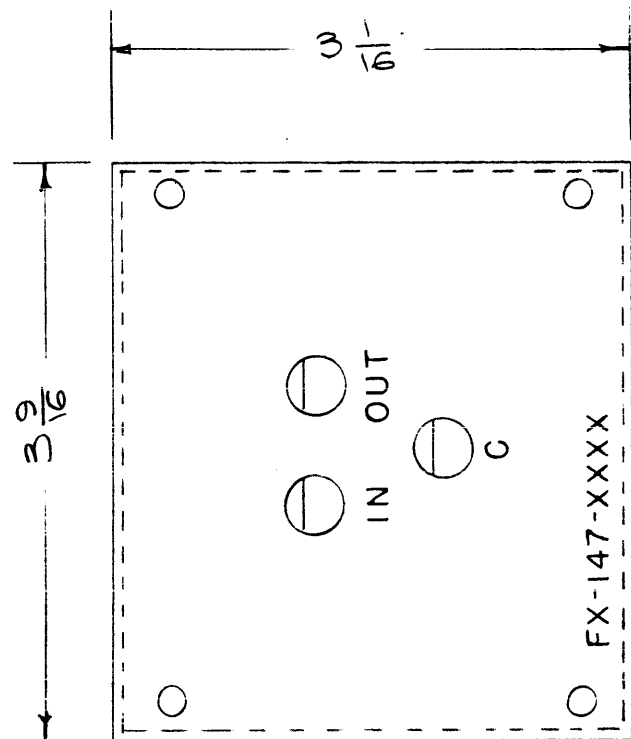


IF IT IS FOUND DESIRABLE TO CHANGE ANY TOLERANCE OR OTHER DETAIL SPECIFIED ON THIS DRAWING NOTIFY THE PURCHASER PROMPTLY.

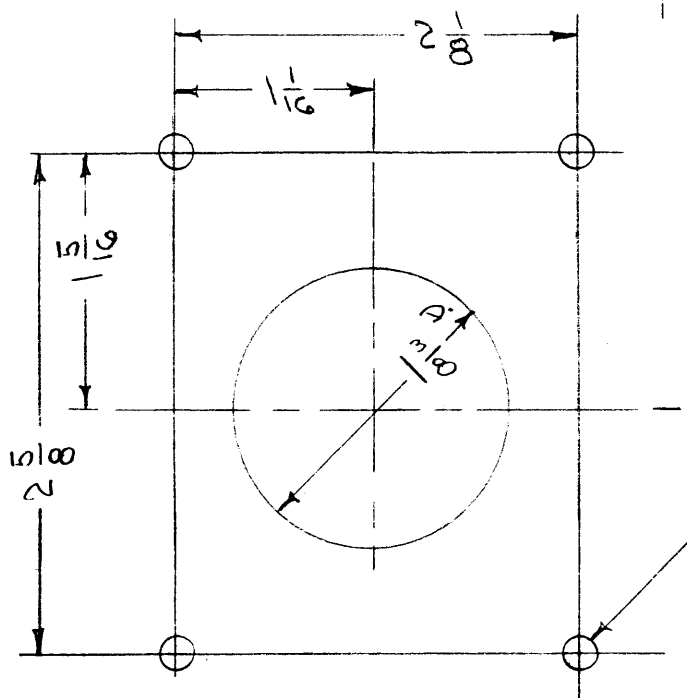
MAXIMUM ALLOWABLE TOLERANCES HAVE BEEN DETERMINED AND DEVIATIONS WILL BE CAUSE FOR REJECTION. REMOVE ALL BURRS AND SHARP EDGES

EX-147 A



MECHANICAL SPECIFICATIONS
CASE - STEEL
STUDS - 6-32 x 3/8
FILLER - COMPOUND
COLOR - GRAY

ELECTRICAL SPECIFICATIONS
FILTER IS CENTERED ON FREQUENCY DENOTED BY SUFFIX; FLAT WITHIN 5db TO ±900 cps; DOWN NOT LESS THAN 36 db AT ±1100 cps; INSERTION LOSS ≤ 2 db.



FX-147-2600	2600
MODEL	SUFFIX
	C.P.S

REQ.	ITEM	PART NO.	DESCRIPTION	SYMBOL
	#		THE TECHNICAL MATERIEL CORP.	
		STOCK SIZE	MAMARONECK, NEW YORK	
	#	#	FILTER	
		MATERIAL	BAND PASS	
		WEIGHT PER PC.		
		TYPE & TEMPER	C.D.D. 11-18-54	M.H.S.
			DRAWN	ELEC. DES. APP.
			HEAT TREAT. SPEC.	MECH. DES. APP.
			CHECKED	FINAL APPROVAL
			A-888	FX-147 A
			FINISH & SPEC. NO.	

A	1	DIM. CHG'D. FROM 2.987 x 3.512 TO 3-1/16 x 3-9/16 ACC. TO BX-121	1/9/58	1	16	FAJ	CAF
ISSUE	ITEM	CHANGED FROM	DATE	CN. NO.	DRAFTS	CHECKER	ENG. APP.
TOLERANCES		SCALE:					
ALL OTHERS	DEC. DIM. ± FRAC. DIM. ± ANGULAR DIM. ±	DRILL, PUNCH, COMMERCIAL STOCK SIZES AND MANUFACTURERS TOLERANCES ARE NOT INCLUDED.					
RE. PER UNIT	MODEL	PROJECT NO.	ASSY. NO.	DATE	USED ON		