

IF IT IS FOUND DESIRABLE TO CHANGE ANY TOLERANCE OR OTHER DETAIL SPECIFIED ON THIS DRAWING NOTIFY THE PURCHASER PROMPTLY.

MAXIMUM ALLOWABLE TOLERANCES HAVE BEEN DETERMINED AND DEVIATIONS WILL BE CAUSE FOR REJECTION. REMOVE ALL BURRS AND SHARP EDGES

	SUFFIX	C.P.S.
FX-139	- 425	425
	- 595	595
	- 765	765
	- 935	935
	- 1105	1105
	- 1275	1275
	- 1445	1445
	- 1615	1615
	- 1785	1785
	- 1955	1955
	- 2125	2125
	- 2295	2295
	- 2465	2465
	- 2635	2635
	- 2805	2805
	- 2975	2975

ELECTRICAL SPECIFICATIONS-

Filter unit is centered on Freq denoted by suffix; Flat within 3 db. to + 50 cps; Down net less than 20 db at +160 cps; Insertion loss not exceeding 5 db. at center freq

The output terminals of the entire FX-139 family can be connected in parallel without deteriorating the performance of any one unit.

The output terminals of the type FX-140 may be connected to the input terminals of the type FX-139 of like center frequency. The input and output impedances are 600 ohms, unbalanced.

FINISH NOTE-

Degrease
S-114 - Zinc Chromate Primer
S-153 - Smooth Grey Enamel Air Drying.

THIS SECTION AS PER CHART

THE TECHNICAL MATERIEL CORP.
MAMARONECK, NEW YORK
PART NO. FX-139-XXX

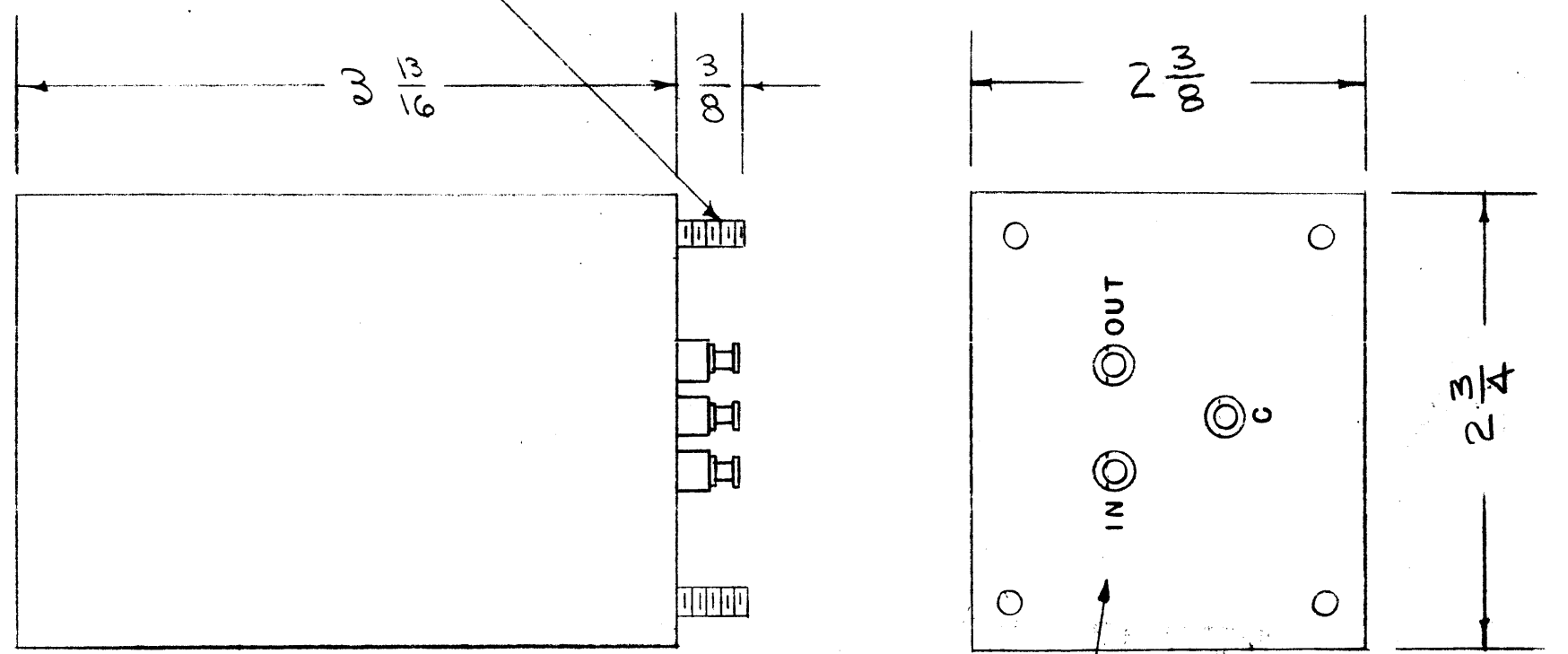
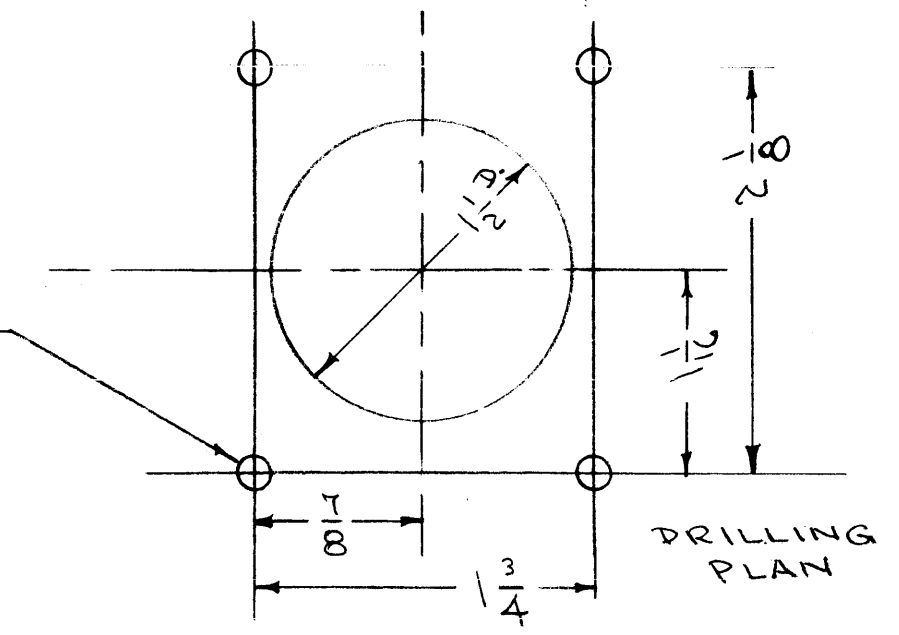
APPROX. 1/16 HIGH BLACK -
GOTHIC STAMP

NOTE - SUFFIX
DENOTES CENTER
FREQ. IN C.P.S.

D
FX-139

6-32
STUD

11/64 (.172) D.



ISSUE	ITEM	CHANGED FROM	DATE	CN. NO.	DRAFTS	CHECKER	ENG. APP.
D	1	TMC INSP. & APPROVAL STAMPS DELETED	10.30.64	12822	NB	@	AK
C	1	DIM. CHG'D. FROM 2.300 X 2.670 TO 2-3/8 X 2-3/4 AS PER BX-100-9	1/4/58	3	16	Handwritten	Handwritten
B	3	ELEC. SPEC. CLARIFIED					
B	2	STAMPING CHG'D.	1/24/57	2	16	Handwritten	A.J.J.
B	1	FX-139-2975 & FINISH ADDED					
A	1	ELEC. SPEC. REVISED	10-10-58	1	P3	Handwritten	A.J.J.

STANDARD DRAWING

TOLERANCES		SCALE:
ALL OTHERS	DEC. DIM. ± FRAC. DIM. ± AN ULAR DIM. ±	DRILL, PUNCH, COMMERCIAL STOCK SIZES AND MANUFACTURERS TOLERANCES ARE NOT INCLUDED.

TIS (TTF)	PROJECT NO.	ASS'Y. NO.	DATE
			1-22-57
USED ON			

REQ.	ITEM	PART NO.	DESCRIPTION	SYMBOL
			THE TECHNICAL MATERIEL CORP. MAMARONECK, NEW YORK	
			STOCK SIZE	
			FILTER, BAND PASS	
			MATERIAL	
			WEIGHT PER PC.	
			FX-139	
			TYPE & TEMPER	
			HEAT TREAT. SPEC.	
			SEE NOTE	
			FINISH & SPEC. NO.	