

IF IT IS FOUND DESIRABLE TO CHANGE ANY TOLERANCE OR OTHER DETAIL SPECIFIED ON THIS DRAWING NOTIFY THE PURCHASER PROMPTLY.

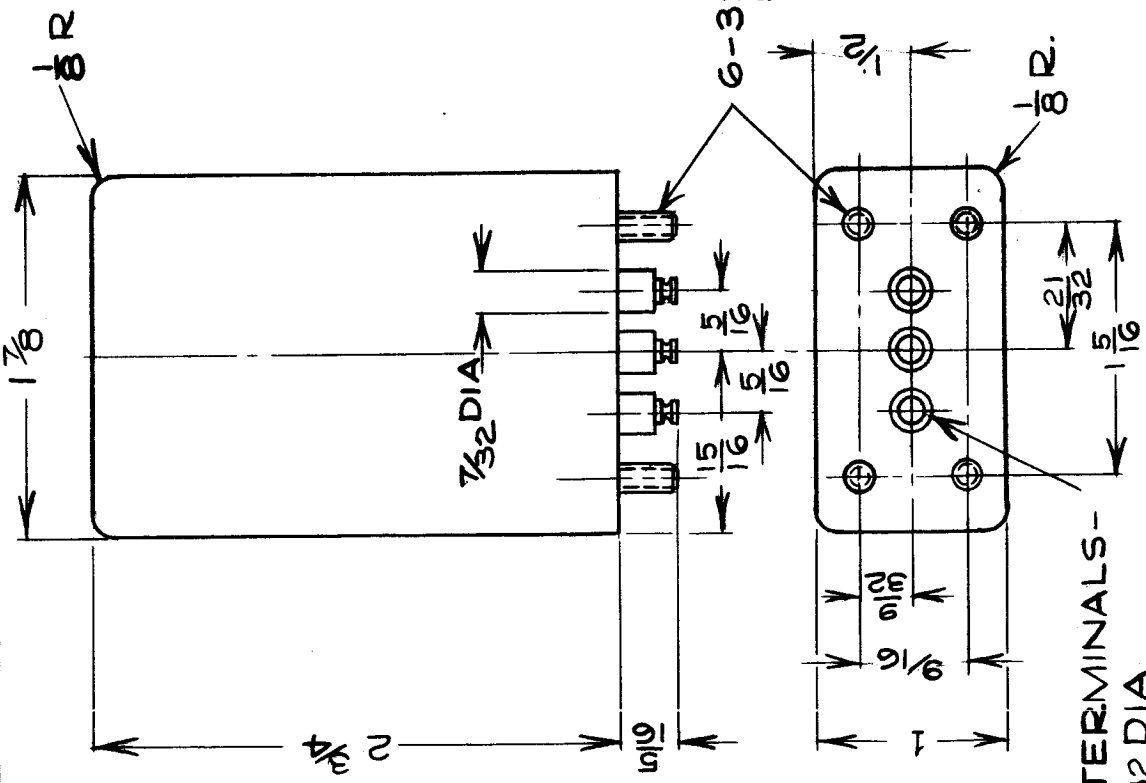
MAXIMUM ALLOWABLE TOLERANCES HAVE BEEN DETERMINED AND DEVIATIONS WILL BE CAUSE FOR REJECTION. REMOVE ALL BURRS AND SHARP EDGES

STANDARD DRAWING

FX10004
1 OF 2

MODEL	PROJECT NO.	ASSY. NO.	DATE
TIS 2			APR 9/59

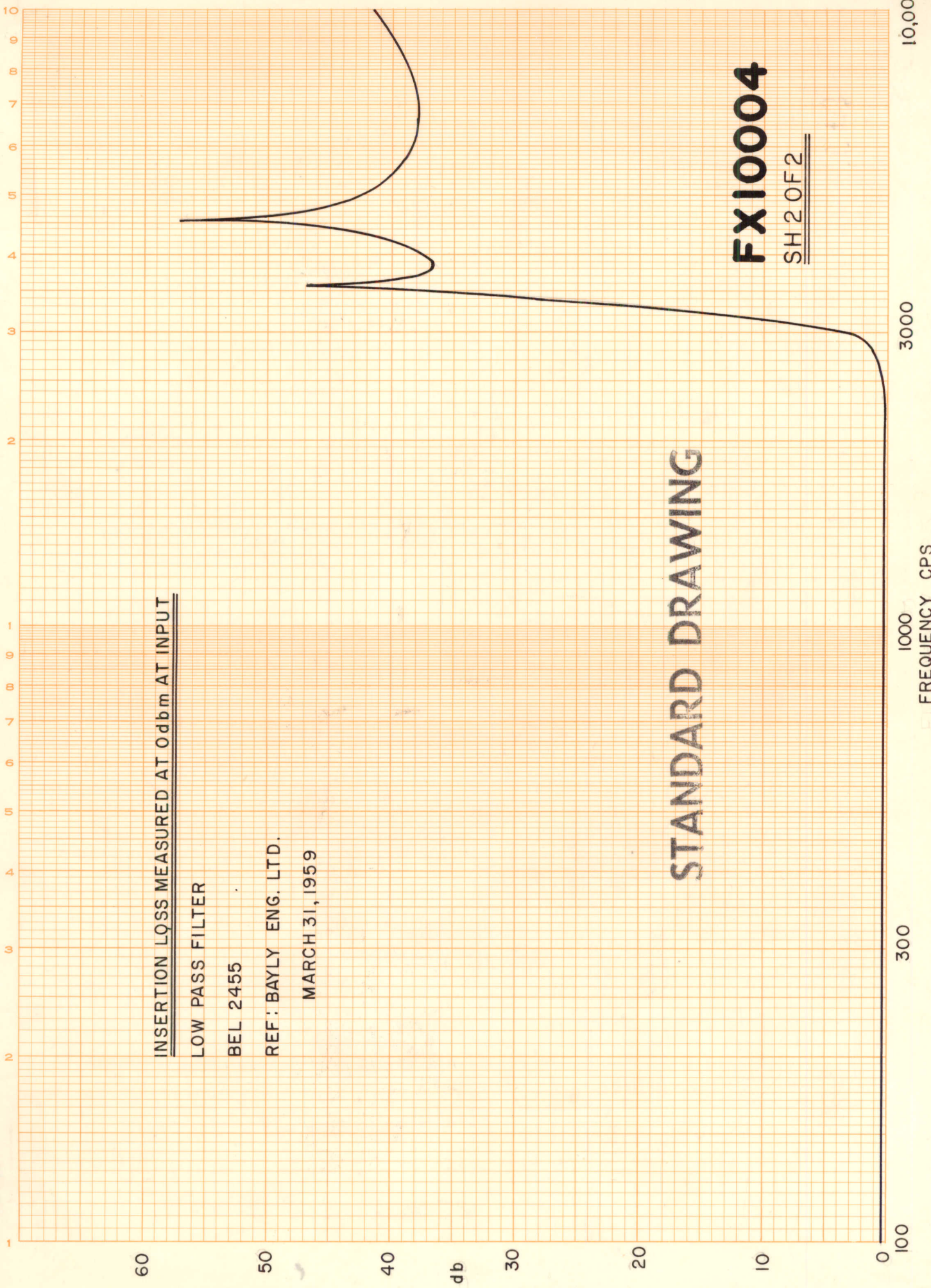
USED ON



B.O.F.R. COMMUNICATION ACCESSORIES CO.
 AS: PART N^o 90115B
 LOW PASS FILTER
 CLASS A, GRADE I, FC=3000 CPS
 IMPEDANCE: INPUT-600 OHMS
 OUTPUT-600 OHMS
 INPUT LEVEL: 10 MW MAX AC
 10 MA MAX DC
 LEVEL AT 4000 CYCLES SHOULD BE
 -30 DB RELATIVE TO LEVEL AT
 3000 CYCLES
 FINISH NOTE:
 DEGREASE
 5-114 - ZINC CHROMATE PRIMER
 5-153 - SMOOTH GREY ENAMEL
 AIR DRYING

REQ. ITEM	PART NO.	DESCRIPTION	SYMBOL
		TMC (Canada) LIMITED OTTAWA	
		LOW PASS FILTER	
		FC=3000 CPS	
		DCM	
		DRAWN	
		ELEC. EN. APP.	
		MECH. DES. APP.	
		CHECKED	
		HEAT TREAT. SPEC.	
		SEE NOTE	
		FINISH & SPEC. NO.	
			FX10004

ISSUE ITEM	CHANGED FROM	DATE	CN. NO.	DRAFTS CHECKER	ENG. APP.
TOLERANCES					
SCALE					
DRILL, PUNCH, COMMERCIAL STOCK SIZES AND MANUFACTURERS TOLERANCES ARE NOT INCLUDED.					
ALL OTHERS	DEC. DIM. ±				
	FRAC. DIM. ±				
	ANGULAR DIM. ±				



INSERTION LOSS MEASURED AT 0dbm AT INPUT

LOW PASS FILTER

BEL 2455

REF: BAYLY ENG. LTD.

MARCH 31, 1959

STANDARD DRAWING

FX10004

SH20F2

100

300

1000

3000

10,000

FREQUENCY CPS

STANDARD DRAWING

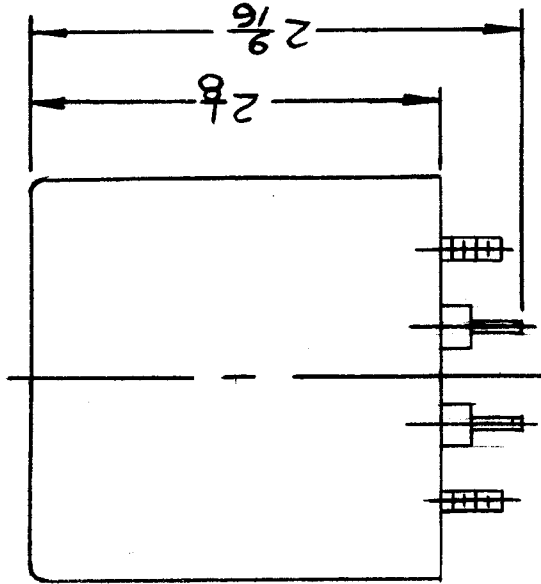
IF IT IS FOUND DESIRABLE TO CHANGE ANY TOLERANCE OR OTHER DETAIL SPECIFIED ON THIS DRAWING NOTIFY THE PURCHASER PROMPTLY.

MAXIMUM ALLOWABLE TOLERANCES HAVE BEEN DETERMINED AND DEVIATIONS WILL BE CAUSE FOR REJECTION. REMOVE ALL BURRS AND SHARP EDGES

FX10007

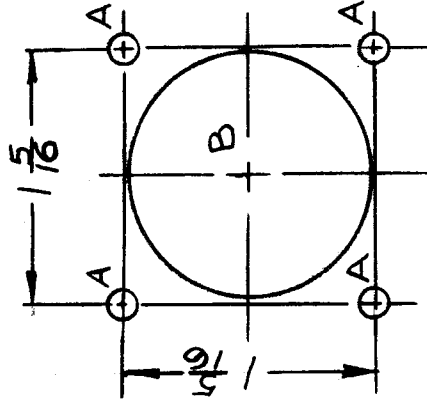
USED ON
MODEL PROJECT NO. ASS'Y. NO. DATE

AUG. 12/59



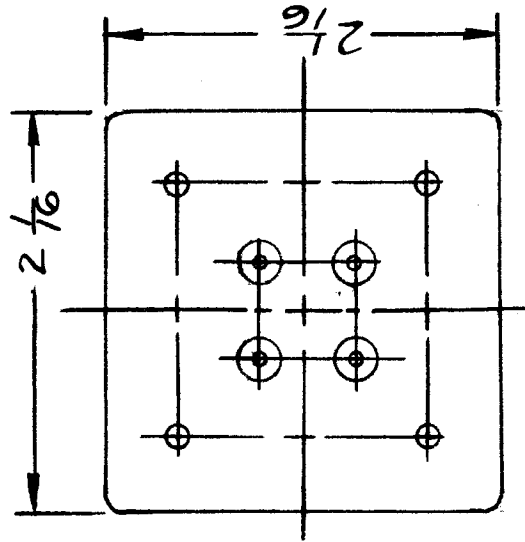
ASSY MOUNTING

FREQ: 1 TO 10 KC
IMP: 600 OHMS
BEL: 2432



HOLE A = 1/16 DIA.
HOLE B = 1/4 DIA.

REF: BAYLY BEL-2432



ISSUE ITEM	CHANGED FROM	DATE	CN. NO.	DRAFTS CHECKER	ENG. APP.
TOLERANCES					
SCALE 1:1					

DEC. DIM. ±
FRAC. DIM. ± 1/64
ANGULAR DIM. ±

DRILL, PUNCH, COMMERCIAL STOCK SIZES AND MANUFACTURERS TOLERANCES ARE NOT INCLUDED.

REQ. ITEM	PART NO.	DESCRIPTION	SYMBOL
		TMC (Canada) LIMITED OTTAWA	
		FILTER	
		PRE-EMPHASIS NETWORK	
		JPC	
		DRAWN	M. W. B.
		ELEC. DES. APP.	1882
		CHECKED	
		MECH. DES. APP.	
		HEAT TREAT. SPEC.	FINAL APPROVAL
		TYPE & TEMPER	
		STOCK SIZE	
		MATERIAL	
		WEIGHT PER PC.	
		FINISH & SPEC. NO.	FX10007

STANDARD DRAWING

IF IT IS FOUND DESIRABLE TO CHANGE ANY TOLERANCE OR OTHER DETAIL SPECIFIED ON THIS DRAWING NOTIFY THE PURCHASER PROMPTLY.

MAXIMUM ALLOWABLE TOLERANCES HAVE BEEN DETERMINED AND DEVIATIONS WILL BE CAUSE FOR REJECTION. REMOVE ALL BURRS AND SHARP EDGES

FX10010

USED ON

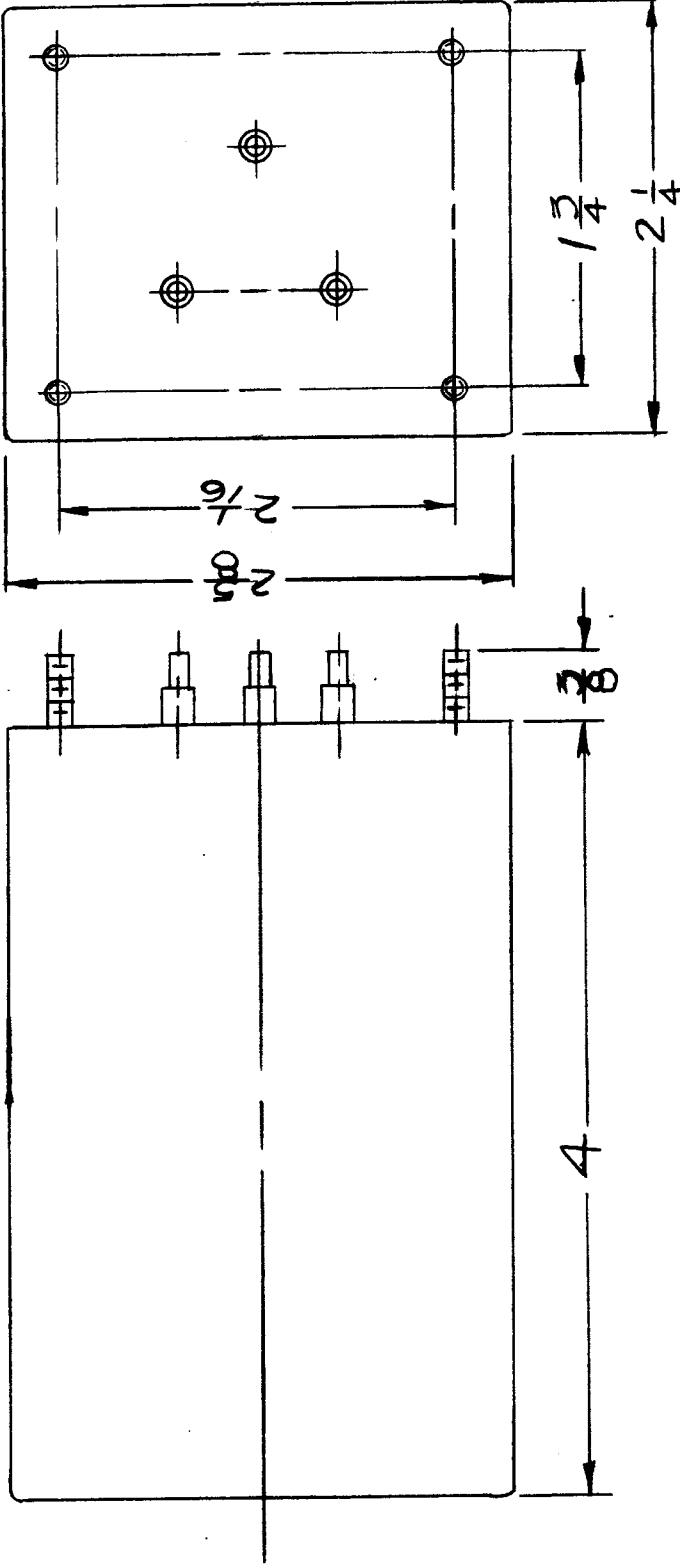
DATE

ASSY. NO.

PROJECT NO.

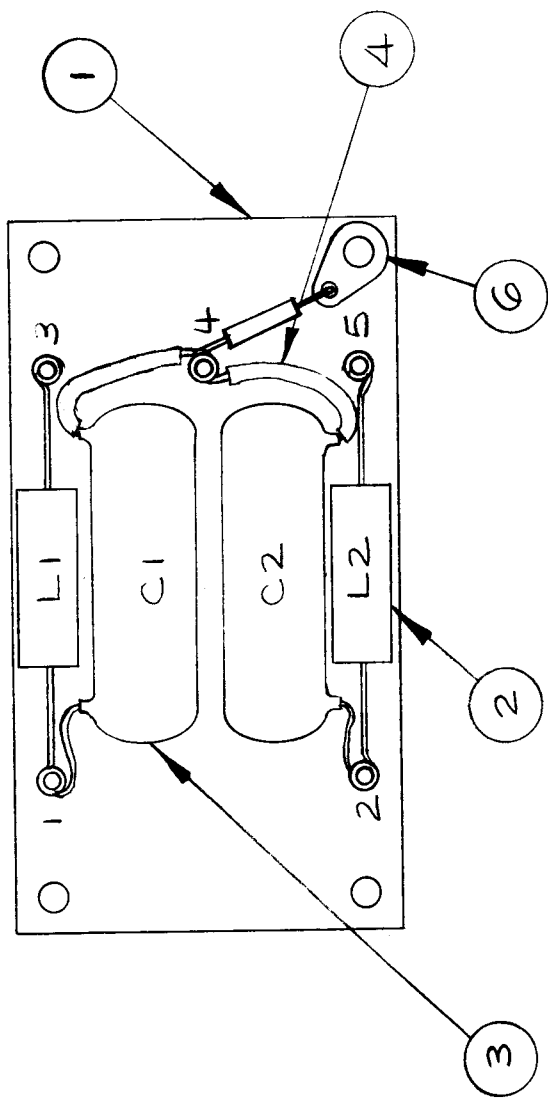
MODEL

AUG.26/59



REQ. ITEM		PART NO.		DESCRIPTION		SYMBOL	
BAYLY MODEL NO.		FREQ		IMP.		TMC (Canada) LIMITED	
BEL - 2454		2515 CPS.		600/600		ONTARIO	
BEL - 2464				600/600		FILTER FOR TTF-2	
STOCK SIZE		MATERIAL		WEIGHT PER PC.			
TYPE & TEMPER		HEAT TREAT. SPEC.		FINISH & SPEC. NO.			
JPC		DRAWN		ELEC. DES./APP.		MECH. DES. APP.	
LGM		CHECKED		DACE		FINAL APPROVAL	
DEC. DIM. ±		FRAC. DIM. ±		ANGULAR DIM. ±		FX10010	

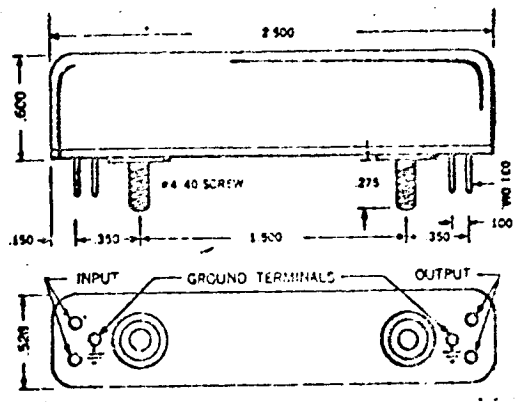
ISSUE	ITEM	CHANGED FROM	DATE	CN. NO.	DRAFTS	CHECKER	ENG. APP.	REQ.	ITEM	PART NO.	DESCRIPTION	SYMBOL
Ø		REL TO PROD	MAR 29/68		AP	W		1	1	A10688-3	TERMINAL BD. AC FILTER	
								2	2	CL10028	CHOKE R.F.	
								2	3	CN10007	CAPACITOR, FIXED	
								AR	4	PX104-1-034	SLEEVING, INSULATED	
								AR	5	BS100	SOLDER, SOFT	
								1	6	TE 104-1	LUG SOLDER	
								AR	7	WL100-8	WIRE BUSS	



AX10047	070/68	FEB 23/68	
MODEL	PROJECT NO.	ASSY. NO.	DATE
USED ON			
MAXIMUM ALLOWABLE TOLERANCES HAVE BEEN DETERMINED AND DEVIATIONS WILL BE CAUSE FOR REJECTION REMOVE ALL BURRS AND SHARP EDGES		IF IT IS FOUND DESIRABLE TO CHANGE ANY TOLERANCE OR OTHER DETAIL SPECIFIED ON THIS DRAWING NOTIFY THE PURCHASER PROMPTLY.	
TOLERANCES		SCALE	
DEC. DIM. ±	FRAC. DIM. ±	DIMENSIONS IN INCHES UNLESS OTHERWISE SPECIFIED	
ALL OTHERS	ANGULAR DIM. ±	DRILL, PUNCH, COMMERCIAL STOCK SIZES AND MANUFACTURERS TOLERANCES ARE NOT INCLUDED.	
TMC (Canada) LIMITED OTTAWA		FILTER ASS'Y, AC LINE	
STOCK SIZE		WEIGHT PERFC.	
MATERIAL		TYPE & TEMPER	
HEAT TREAT. SPEC.		FINISH & SPEC. NO.	
DRAWN		ELEC. DES. APP.	
CHECKED		MECH. DES. APP.	
RPL		FINAL APPROVAL	
Ø		FX10024	

APPLICATION			REVISIONS						
QTY	MODEL USED ON	ASS'Y NO.	LTR	DESCRIPTION	DATE	E.M.N.NO	DRAFT	CHKD	APPD

MFR. (TMC CODE NO.): S401-228
MFR. PART NUMBER: F455FA-27



Specifications

Center frequency 455 KHz nominal
Frequency response:
Bandwidth, 60 db attenuation . 2.9 KHz nominal
Bandwidth, 60 db
attenuation 6.5 KHz maximum
Resonating capacity
including circuit 130 pf ± 5pf
DC voltage: 300 vdc maximum potential between
terminals and ground.
Source and load impedance 100,000 ohms
Case: Molded Phenolic

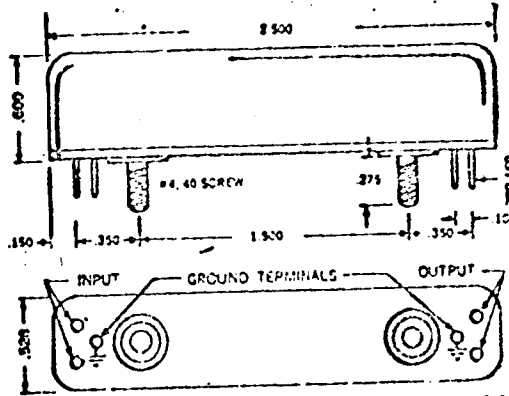
UNLESS OTHERWISE SPECIFIED DIMENSIONS ARE IN INCHES AND INCLUDE CHEMICALLY APPLIED OR PLATED FINISHES		REQ'D	ITEM	PART NUMBER	DESCRIPTION	SYM.
<small>DEC. 1963</small> X ± .05 1/64 XX ± .01 TOLS ANGLES XXX ± .025 01.30					LIST OF MATERIAL THE TECHNICAL MATERIEL CORP. MAMARONECK, NEW YORK FILTER, MECHANICAL, 455 MHz	
MATERIAL						
FINISH						
<small>NOTICE TO PERSONS RECEIVING THIS DRAWING</small> THE TECHNICAL MATERIEL CORPORATION reserves no copyright in the material disclosed herein. It is hereby acknowledged that the drawings are for information only and may not be a contract or a part of any contract. No liability shall be assumed without permission of the TECHNICAL MATERIEL CORP. in the use of this drawing in any form or for any purpose and is subject to change at any time.				SIZE A	CODE IDENT. NO. 22679	DWG NO. FX-10032
SCALE				SHEET		OF

Do NOT DESTROY THIS IS THE ORIGINAL

FX-10032

APPLICATION			REVISIONS						
QTY	MODEL USED ON	ASSY. NO.	LTR	DESCRIPTION	DATE	E.M.N. NO	DRAFT	CHKD	APPD

MFR. (TMC CODE NO.): S401-228
MFR. PART NUMBER: F4557A-60



Specifications

- Center frequency 455 KHz nominal
- Frequency response:
 - Bandwidth, 6 db attenuation . . . 6 KHz nominal
 - Bandwidth, 60 db attenuation 12.6 KHz maximum
- Resonating capacity including circuit 130 pf ± 5pf
- DC voltage: 100 vdc maximum potential between terminals and ground.
- Source and load impedance 100,000 ohms
- Case: Molded Phenolic

UNLESS OTHERWISE SPECIFIED DIMENSIONS ARE IN INCHES AND INCLUDE CHEMICALLY APPLIED OR PLATED FINISHES		REQ'D	ITEM	PART NUMBER	DESCRIPTION	SYM.	
DECIMALS . X 2 05 TOLS . XX 1 01 . XXX 3 05					LIST OF MATERIAL		
FRACTIONS 1/64 ANGLES 0° 30'					THE TECHNICAL MATERIEL CORP. MAMARONECK, NEW YORK		
MATERIAL					FILTER, MECHANICAL, 455 MHz		
FINISH							
NOTICE TO PERSONS RECEIVING THIS DRAWING THE TECHNICAL MATERIEL CORPORATION is the proprietor of all the material herein shown. It is drawing is issued in confidence for engineering information only and may not be used for other purposes without the express written consent of the company. THE TECHNICAL MATERIEL CO. warrants in the work this drawing is intended for the use and a subject to change at any time.					SIZE A	CODE IDENT. NO 82679	DWG NO. FX 10033
					SCALE	SHEET	OF

DO NOT DESTROY THIS IS THE ORIGINAL

FX-10033

ISSUE	ITEM	CHANGED FROM	DATE	CM. NO.	DRAFTS	CHECKER	ENG. APP.	REQ.	ITEM	PART NO.	DESCRIPTION	SYMBOL
X		ENG RELEASE	9 MAY 72		LB	LB	<i>W</i>					

SNELGROVE F 8000-2U/FX10039-1 UPPER SIDEBAND FILTER

SNELGROVE F 8000-2L/FX10039-2 LOWER SIDEBAND FILTER

MODEL	PROJECT NO.	ASSY. NO.	DATE
	A11022		9 MAY 72

TMC (Canada) LIMITED OTTAWA ONTARIO	
FILTER	
MATERIAL	WEIGHT PER PC.
NAT	
DRAWN	ELEC. DES. APP.
A. PROCTOR	MECH. DES. APP.
CHECKED	FINAL APPROVAL
	FX10039

MAXIMUM ALLOWABLE TOLERANCES HAVE BEEN DETERMINED AND DEVIATIONS WILL BE CAUSE FOR REJECTION REMOVE ALL BURRS AND SHARP EDGES	IF IT IS FOUND DESIRABLE TO CHANGE ANY TOLERANCE OR OTHER DETAIL SPECIFIED ON THIS DRAWING NOTIFY THE PURCHASER PROMPTLY.
<p>TOLERANCES</p> <p>DEC. DIM. \pm .005</p> <p>FRAC. DIM. \pm $\frac{1}{64}$</p> <p>ANGULAR DIM. \pm 0° 30'</p>	<p>SCALE</p> <p>DIMENSIONS IN INCHES UNLESS OTHERWISE SPECIFIED</p> <p>DRILL, PUNCH, COMMERCIAL STOCK SIZES AND MANUFACTURERS TOLERANCES ARE NOT INCLUDED.</p>