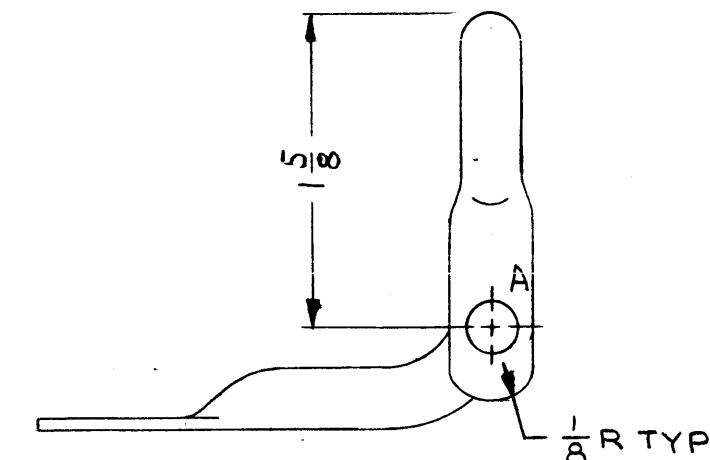
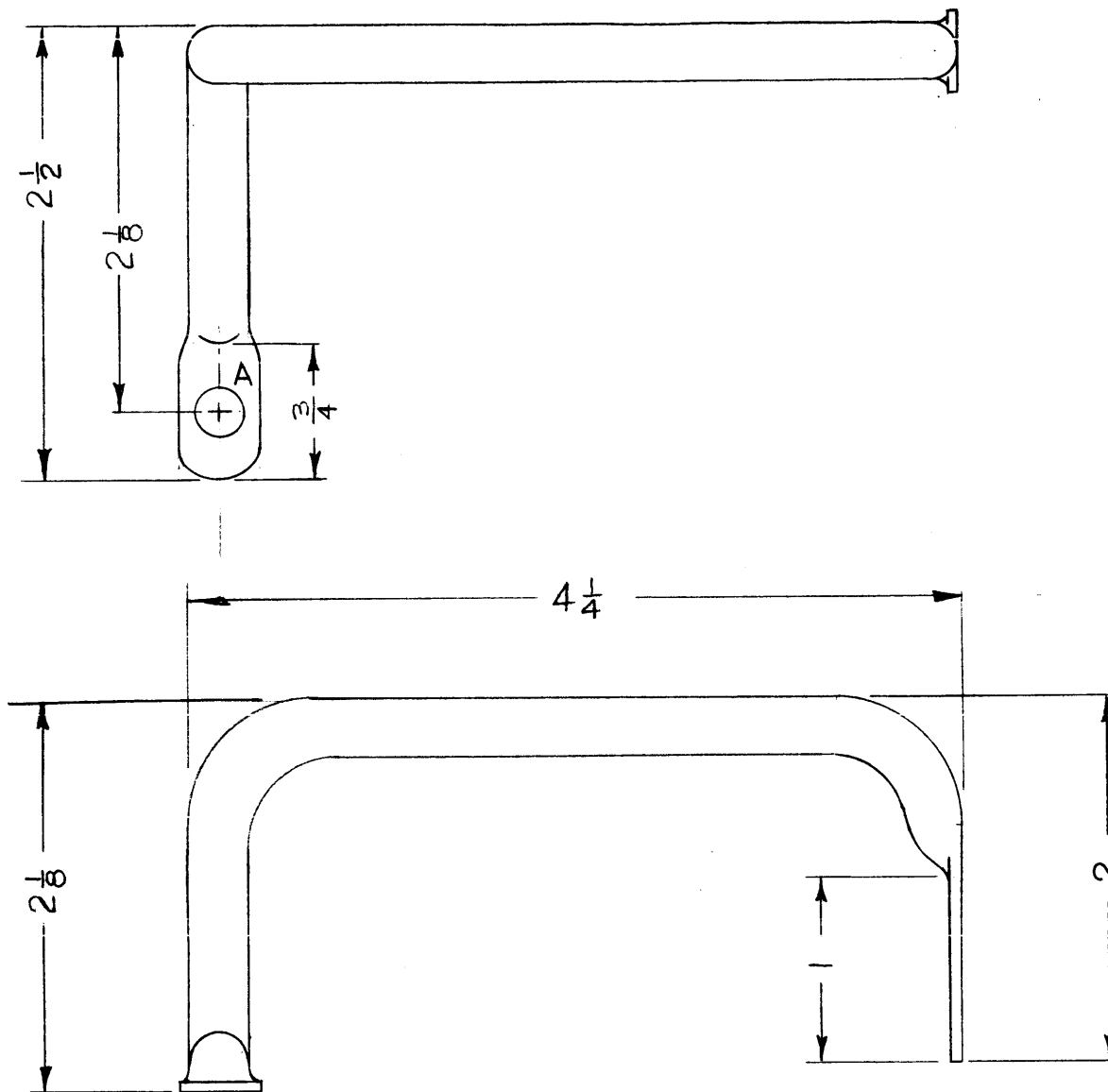


FP-167 D



PROPERTY OF THE TECHNICAL MATERIEL CORPORATION

THE TECHNICAL MATERIEL CORPORATION claims
 property right in the material disclosed herein.
 This drawing is issued in confidence for engineering
 information only and may not be reproduced or used
 to manufacture anything shown hereon without per-
 mission from THE TECHNICAL MATERIEL CORPORA-
 TION to the user. This drawing is loaned for mutual
 assistance and is subject to recall at any time.

A-17/64 DIA 2 REQ.

* PLATING & FINISHING TO BE COMPLETED
 BEFORE PIECE IS FABRICATED. CORNERS
 & EDGES TO BE SMOOTH.

Property of:
 THE TECHNICAL MATERIEL CORPORATION
 MAMARONECK, NEW YORK

D	DELETED * 53 DR HOLES; ADD DR PLATING B. FAB. NOTE & SPECS	2/3/66	15711	JL	OK	MM	
C	1 2 # 53 DR. HOLES ADDED.	2-18-65	13535	RY	OK	OK	
B	2 DIM 2 1/8 WAS 1 1/8 1 DIM 4 1/4 WAS 4 3/4	4-18-63	8753	RY	OK	OK	
A	4 DIM 2-1/2 WAS 2-1/8, 2" WAS 1 1/2 3 2 1/8 WAS 1 3/4, 4 3/4 WAS 5" 2 DIM 1-1/8" ADDED 1 2" DIM. DELETED	7-12-62	6845	OK	OK	OK	
ISSUE	ITEM	CHANGED FROM	DATE	CH. NO.	DRAFTS	CHECKER	ENG. APP.

TOLERANCES		SCALE:	
DEC. DIM. ±	MAXIMUM ALLOWABLE TOLERANCES HAVE BEEN DETERMINED AND ANY DEVIATIONS WILL BE CAUSE FOR REJECTION.		
FRAC. DIM. ±	REMOVE ALL BURRS AND SHARP EDGES		
ANGULAR DIM. ±			

1	GPT-10K	AT-100		
REQ. PER UNIT	MODEL	PROJECT NO.	ASS'Y. NO.	DATE
USED ON				

REQ. ITEM	PART NO.	DESCRIPTION		SYMBOL
	5/16 OD	THE TECHNICAL MATERIEL CORP. MAMARONECK, NEW YORK		
	STOCK SIZE			
	COPPER TUBING *	CONNECTOR STRAP # 4		
	MATERIAL			
	SOFT			
	TYPE & TEMPER	HEAT TREAT. SPEC.	DRAWN	CHECKED
	SILVER PLATE .0003 PER S248		OK	OK
	CLEAR IRIDITE PER S423 *			
	FINISH & SPEC. NO.	ELEC. DES. APP.	MECH. DES. APP.	FINAL APPROVAL
				OK
				FP-167 D