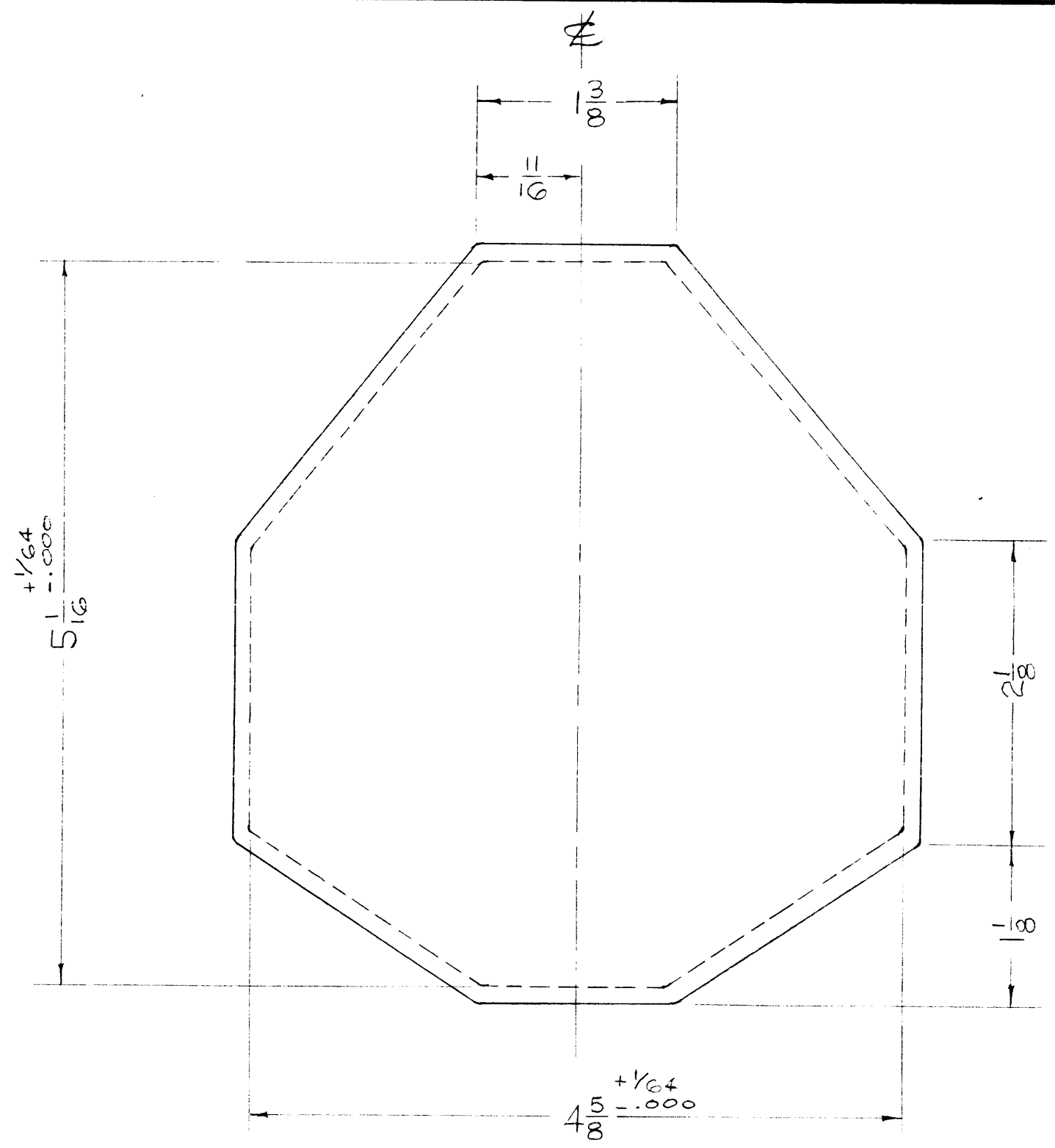


PROPERTY OF TECHNICAL MATERIEL CORP. DRAWING

THIS DRAWING IS THE PROPERTY OF TECHNICAL MATERIEL CORP. ANY REPRODUCTION OR USE OF THIS DRAWING WITHOUT THE WRITTEN PERMISSION OF TECHNICAL MATERIEL CORP. IS PROHIBITED. THIS DRAWING IS TO BE USED FOR MANUFACTURING PURPOSES ONLY AND MAY NOT BE REPRODUCED OR USED FOR ANY OTHER PURPOSE WITHOUT THE WRITTEN PERMISSION OF TECHNICAL MATERIEL CORP. ASSISTANCE AND IS SUBJECT TO RECALL AT ANY TIME.

Property of:
 THE TECHNICAL MATERIEL CORPORATION
 MAMARONECK, NEW YORK



ALL FILLETS 1/16 R.
 ALL ROUNDS 3/16 R.

ISSUE	ITEM	CHANGED FROM	DATE	CH. NO.	DRAFTS	CHECKER	ENG. APP.
TOLERANCES			SCALE:				
DEC. DIM. ±			MAXIMUM ALLOWABLE TOLERANCES HAVE BEEN DETERMINED AND ANY DEVIATIONS WILL BE CAUSE FOR REJECTION.				
FRAC. DIM. ± 1/64			REMOVE ALL BURRS AND SHARP EDGES				
ANGULAR DIM. ±							

REQ. PER UNIT	MODEL	PROJECT NO.	ASS'Y. NO.	DATE
				3-26-56
USED ON				

REQ. ITEM	PART NO.	DESCRIPTION	SYMBOL
		THE TECHNICAL MATERIEL CORP.	
		MAMARONECK, NEW YORK	
STOCK SIZE		COVER MOLDING	
FIBERGLAS			
MATERIAL			
TYPE & TEMPER		DRAWN	CHECKED
HEAT TREAT. SPEC.			
FINISH & SPEC. NO.		ELEC. DES. APP. MECH. DES. APP.	

FP-158