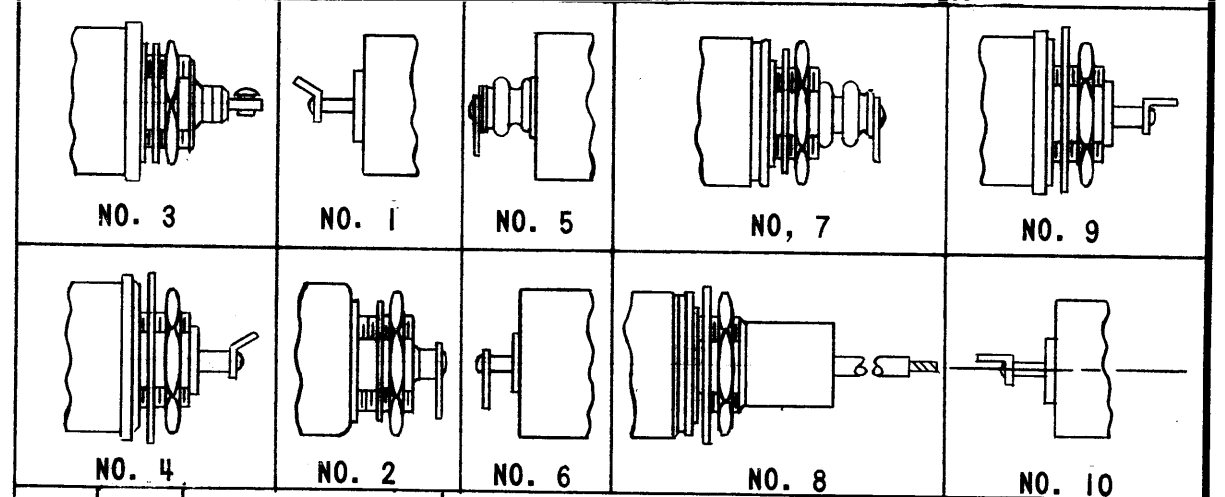
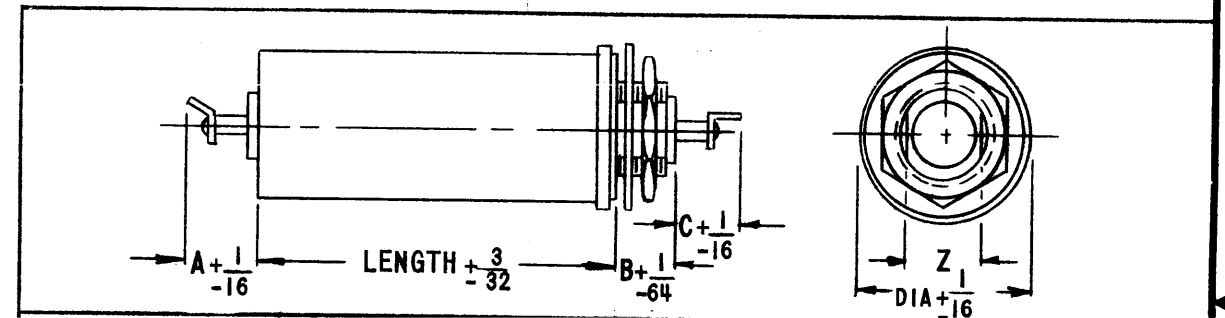
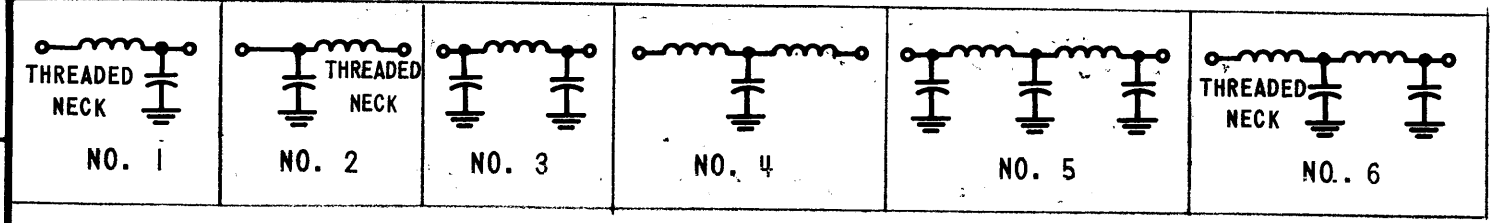


TMC PART NUMBER	FI105-1	FI105-2	
MFGR PART NUMBER	IJX130	5JX100	
CURRENT AMP	1.0	5.0	
VOLTAGE DC	600	600	
RATING AC @ FREQ	250 @60 CY	250 @60 CY	
MAX AMBIENT TEMP	125°C	125°C	
MAX ALTITUDE (FT.)	50K	30K	
CIRCUIT NO.	NO. 3	NO. 3	
TYPICAL INSERTION LOSS IN DECIBELS	.15 Mc	69	65
	.5 Mc	119	97
	1.0 Mc	106	116
	10 Mc	88	116
	100 Mc	> 120	> 112
	400 Mc	> 112	> 98
BODY SIZE	LENGHT	2-11/16	3-7/16
	DIA	1	1-1/4
TERMINALS	LEFT	NO. 6	NO. 6
	RIGHT	NO. 2	NO. 2
THREAD SIZE	7/16-20	7/16-20	
TERMINAL DIMENSIONS	Z	.370-.380	.370-.380
	A	7/32	7/32
	B	7/16	7/16
	C	17/64	1/4
MAX DC OHMS	0.50	0.035	

REVISIONS						
ZONE	LTR	DESCRIPTION	DATE	E.M.N.NO	DRAFT	CHKD APPD
	X	EXPERIMENTAL RELEASE	3/28/68		C.V.	
	Ø	ORIG. RELEASE FOR PROD	11/5/68	Ø	R.G.	



CIRCUIT DIAGRAMS



REQ'D	ITEM	PART NUMBER	DESCRIPTION	SYM.
LIST OF MATERIAL				
THE TECHNICAL MATERIEL CORP. MAMARONECK, NEW YORK				
FILTER, INTERFERENCE, RF				
SIZE	CODE IDENT. NO.	DWG NO.	ISSUE	
B	82679	FI 105	Ø	
SCALE NONE			SHEET OF	

QTY / UNIT	MODEL USED ON	ASS'Y NO.
APPLICATION		
CODE C	S401-49	
<p>NOTICE TO PERSONS RECEIVING THIS DRAWING THE TECHNICAL MATERIEL CORPORATION claims proprietary right in the material disclosed hereon. This drawing is issued in confidence for engineering information only and may not be reproduced or used to manufacture anything shown hereon without permission from THE TECHNICAL MATERIEL CORPORATION to the user. This drawing is loaned for mutual assistance and is subject to recall at any time.</p>		

UNLESS OTHERWISE SPECIFIED DIMENSIONS ARE IN INCHES AND INCLUDE CHEMICALLY APPLIED OR PLATED FINISHES	APPROVAL	DATE
DECIMALS .X ± .05 .XX ± .01 .XXX ± .005	MECH. DES.	DATE
FRACTIONS 1/64 ANGLES 0°-30'	ELECT. DES.	DATE
MATERIAL	CHECKED	DATE
FINISH	DRAWN	DATE