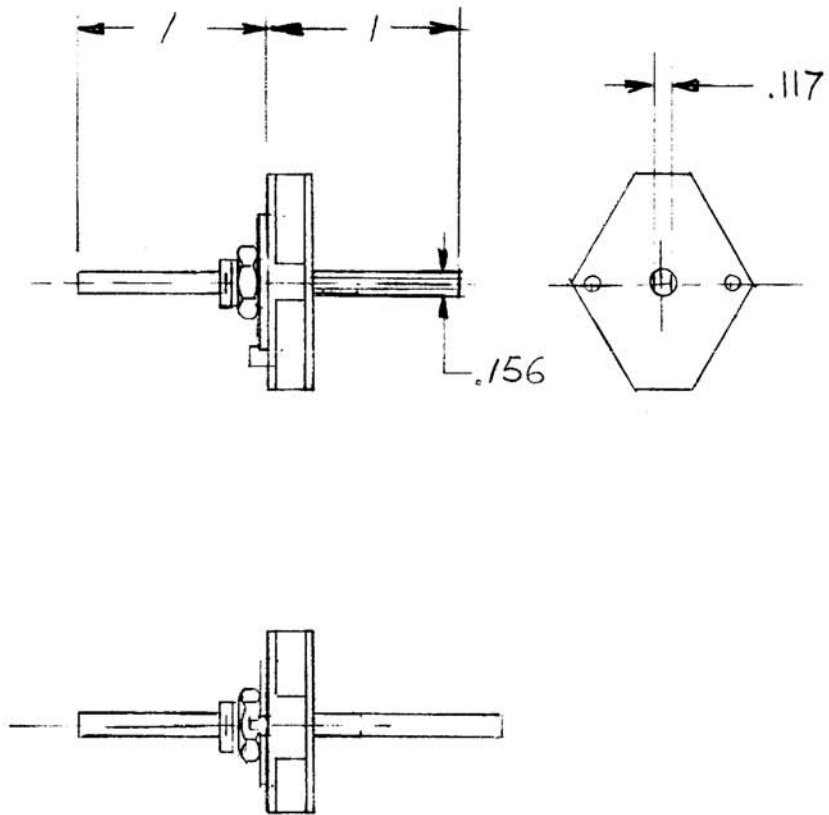


| APPLICATION | | | REVISIONS | | | | | | |
|-------------|---------------|-----------|-----------|---------------------------------|---------|----------|-------|------|------|
| QTY | MODEL USED ON | ASS'Y NO. | LTR | DESCRIPTION | DATE | E.M.N.NO | DRAFT | CHKD | APPD |
| | GPR110 | | XI | PIN & LOCATION DIMS. DEL. | 1-10-76 | | SDL | | |
| | | | Ø | ORIGINAL RELEASE FOR PRODUCTION | 5-23-77 | | | W.P. | * |



SPECIFICATIONS:
30° THROW

5401
(IEE SHADOW)
P/N: ESK-10-30

| UNLESS OTHERWISE SPECIFIED DIMENSIONS ARE IN INCHES AND INCLUDE CHEMICALLY APPLIED OR PLATED FINISHES | | REQ'D | ITEM | PART NUMBER | DESCRIPTION | SYM. |
|---|-------------|--|--|-------------|-------------|------|
| DECIMALS: .X ± .05, .XX ± .01, .XXX ± .005 FRACTIONS: 1/64 TOLS. ANGLES: 0° - 30° | | F. BUDETTI LIST OF MATERIAL THE TECHNICAL MATERIEL CORP. MAMARONECK, NEW YORK <i>DETENT SW 30°</i> | | | | |
| MATERIAL | MECH. DES. | DATE | FINAL APPROVAL <i>ØB</i> DATE <i>7/10/77</i> | | | |
| FINISH | ELECT. DES. | DATE | DRAWN <i>G. DE LUCCA</i> DATE <i>2-28-74</i> | | | |
| NOTICE TO PERSONS RECEIVING THIS DRAWING THE TECHNICAL MATERIEL CORPORATION claims proprietary right in the material disclosed hereon. This drawing is issued in confidence for engineering information only and may not be reproduced or used to manufacture anything shown hereon without permission from THE TECHNICAL MATERIEL CORPORATION to the user. This drawing is loaned for mutual assistance and is subject to recall at any time. | | SIZE | CODE IDENT. NO. | DWG NO. | ISSUE | |
| | | A | 82679 | DT 110 | Ø | |
| SCALE | | | SHEET | | OF | |