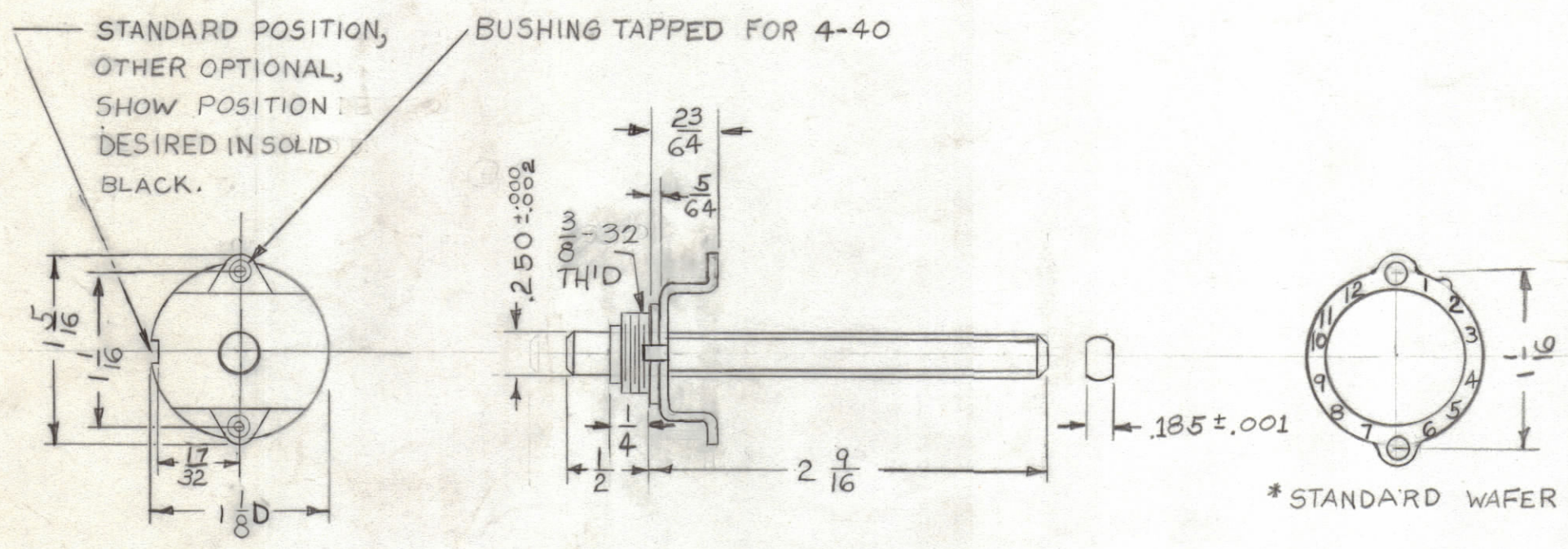


REVISIONS						
ZONE	SYM	DESCRIPTION	DATE	E.M.N. NO.	DRAFT	CHKD APPD
	C	REVISED, REDRAWN FROM 1 SIZE	6-22-65	14333	D.V.V.	<i>[Signature]</i>
	D	17/32 WAS 7/32. FLATTED SHAFT DIM. 18.5 ± .001, ADDED	8-3-65	14581	H.V.V.	<i>[Signature]</i>



TMC PART NO: DT108 (STAMP ON FRONT PLATE)
 TOTAL NO. OF POSITIONS: 4
 TOTAL NO. OF SECTIONS:
 ANGLE OF THROW: 30°
 CONTACTS & ROTORS: SHORTING , NON SHORTING
 MATERIAL & FINISHES
 METAL PARTS: STEEL, CADMIUM PLATE & IRIDITE
 SHAFT: STEEL, CADMIUM PLATE & IRIDITE
 BUSHING: STEEL, CADMIUM PLATE & IRIDITE
 STATOR CONTACTS & TERMINALS: BRASS, DENSELY SILVER PLATED
 ROTOR CONTACTS: SILVER-BRASS LAMINATED OVER-LAY: SILVER PLATED
 ROTOR INSULATION MATERIAL: NYLON
 STATOR INSULATION MATERIAL: GLASS REINFORCED ALKYD, GRAY
 FINISH REQUIREMENTS:
 COMMERCIAL: MILITARY
 SALT SPRAY: 50 HR. X 200 HR.
 HARDWARE SUPPLIED:
 X NUTS 3/8-32, 1/2 ACROSS FLATS, 3/32 THICK, BRASS, NICKEL PLATE
 X 3/8 INT. LOCKWASHER 11/16 OD X 1/32 THICK, BRONZE, NICKEL PLATED
 SPECIAL INSTRUCTIONS:
 DETENT SHALL OPERATE WITH *STANDARD WAFER, BETWEEN POSITIONS 9, 10, 11, 12 ONLY.

DT108
D

REQ'D.	ITEM	PART NUMBER	DESCRIPTION	SYMBOL
LIST OF MATERIAL				
MATERIAL		THE TECHNICAL MATERIEL CORP. MAMARONECK, NEW YORK		
FINISH		TITLE		
BRASS		DETENT, SWITCH - 30°		
ELECT. DES.		DATE		
D.V.V.		6-22-65		
CHECKED		DATE		
<i>[Signature]</i>		6-22-65		
MECH. DES.		DATE		
<i>[Signature]</i>		6-22-65		
SHEET		REV. LTR.		
1		D		

Q'TY./UNIT	MODEL USED ON	ASS'Y. NO.
SCALE	CODE	
	C	S401-175

NOTES

THE CONTENTS OF THIS DRAWING ARE THE EXCLUSIVE PROPERTY OF THE TECHNICAL MATERIEL CORP. ITS UNAUTHORIZED USE OR REPRODUCTION IN WHOLE OR IN PART IS STRICTLY FORBIDDEN.