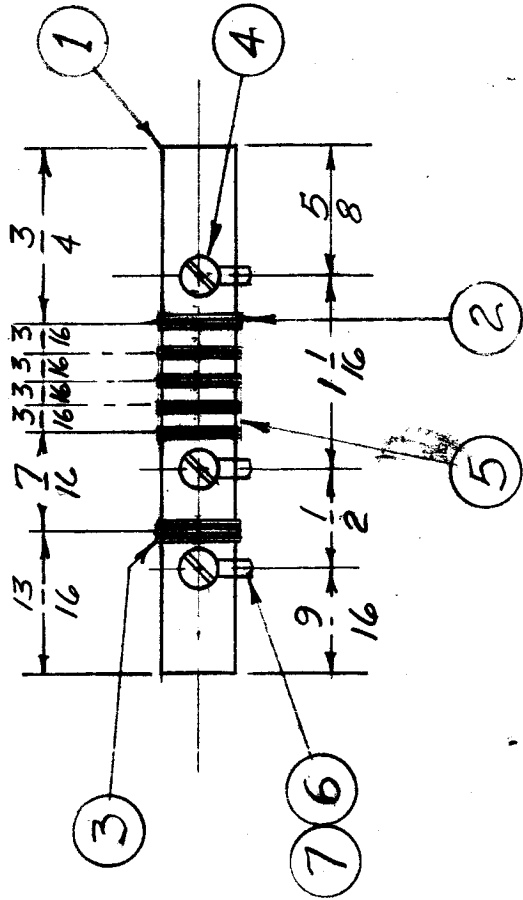
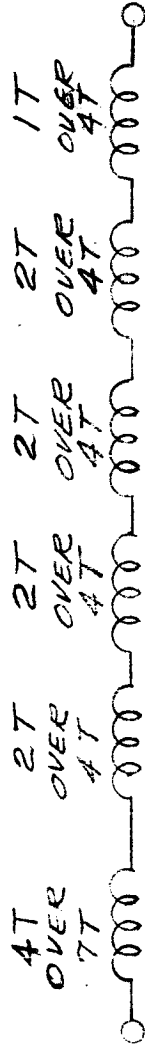


IF IT IS FOUND DESIRABLE TO CHANGE ANY TOLERANCE OR OTHER DETAIL SPECIFIED ON THIS DRAWING NOTIFY THE PURCHASER PROMPTLY.

MAXIMUM ALLOWABLE TOLERANCES HAVE BEEN DETERMINED AND DEVIATIONS WILL BE CAUSE FOR REJECTION. REMOVE ALL BURRS AND SHARP EDGES



E	?	ON ELEC. CHARACT. IT'S WAS IT'S IT'S ADD. CALL OUT WAS ⑤	10.9.64	12493	ASB	②
D	4	SCREW WAS SCREW #2 Dotted. Same as Item #2	27 Feb 1963	LC	JPC	②
C	6	WAS ZERCK #75	JULY 1961	3	JPC	②
B		ITEM 6 WAS 1.5 UN ± .02	Aug 11/56			②
A		ITEM 2 WAS 4.0 UN ± .06	Aug 11/56			②
		SLYMERDES DL-1001	Aug 28/56			②
ISSUE	ITEM	CHANGED FROM	DATE	CN. NO.	DRAFTS CHECKER	ENG. APP.
SCALE 17.5.						
TOLERANCES						
DEC. DIM. ± FRAC. DIM. ± 1/64 ANGULAR DIM. ±						

DRILL, PUNCH, COMMERCIAL STOCK SIZES AND MANUFACTURERS TOLERANCES ARE NOT INCLUDED.

DL-10001E

USED ON
MODEL PROJECT NO. ASSY. NO. DATE

AMC 6 SERIES 2
" " " 3

ELECTRICAL CHARACTERISTICS

ITEM 2 - 4.4 uH ± .02
" 3 - 1.5 uH TO 1.51 uH ± .02
BOTH MEASURED 7.9 M/C.



REQ. ITEM	PART NO.	DESCRIPTION	SYMBOL
X 7	BS-100	SOLDER SOFT	
3 6	TE113-120	LUGS	
X 5	GL-10001	RADIO SERVICE CEMENT	
3 4	SCBP0440 BNS	SCREWS, MACHINE	
X 3	WL-10001-11	WIRE #30 D.C.C.	
X 2	WK-10001	WIRE #30 D.C.C.	
1 1	CF 10002	COIL FORM E.F.	

TMC (Canada) LIMITED OTTAWA ONTARIO	
DELAY LINE DL-101	
L. MAEJON DRAWN	MECH. DES. APP.
	ELEC. DES. APP.
	FINAL APPROVAL
	DL-10001 E