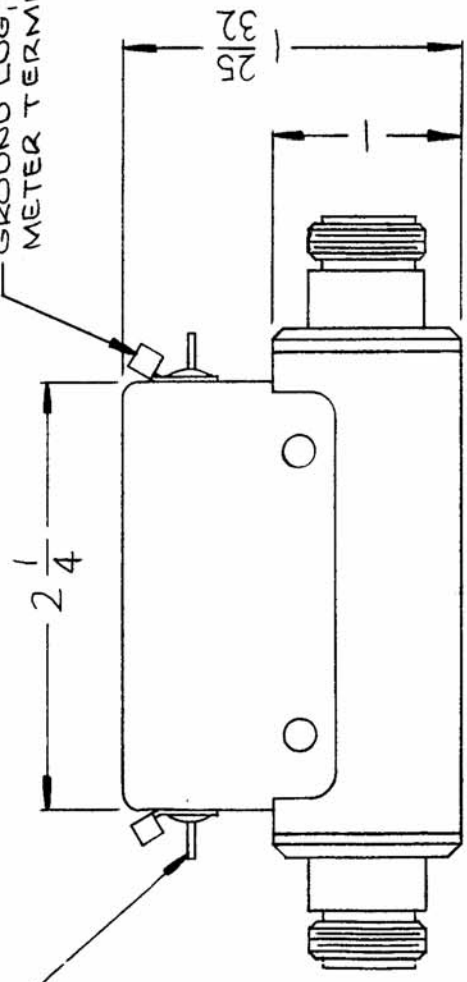


USED ON  
 ASSY. NO. DATE  
 MODEL SWRAIK 11-17-66

DC107

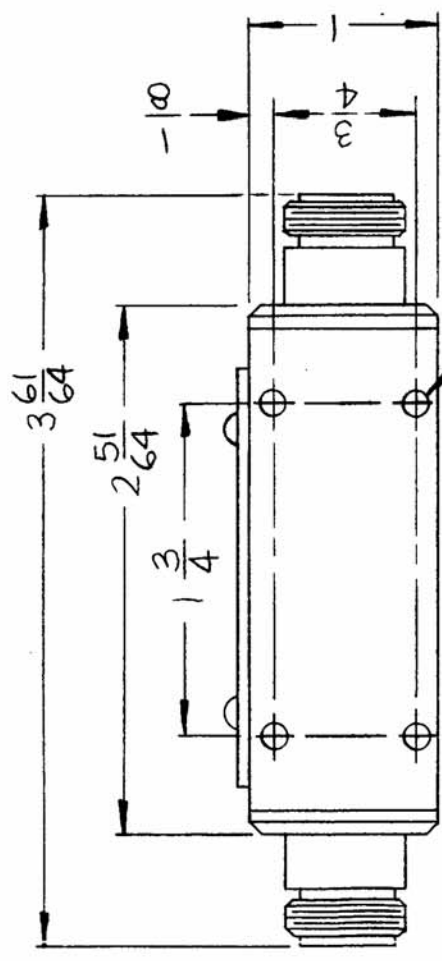
Ø

POSITIVE DC OUTPUT METER TERMINAL,  
 DIRECTION OF TERMINAL INDICATES  
 DIRECTION OF RF POWER READ



SPECIFICATIONS

FREQUENCY RANGE: 2-30 MC  
 POWER RANGE: 1000 WATTS FORWARD  
 250 WATTS REFLECTED  
 RF CONNECTORS: N TYPE FEMALE  
 FOR USE WITH METER OF 30  $\mu$ A  
 SENSITIVITY AND 1400 OHMS  
 RESISTANCE.



No. 6-32 TAP (4 HOLES REQ)

REF: MR 197

REQ. ITEM	PART NO.	DESCRIPTION	SYMBOL
Ø	#	THE TECHNICAL MATERIEL CORP. MAMARONECK. NEW YORK	Ø
X2	#	DIRECTIONAL COUPLER	Ø
X1	#		Ø
SYM			
UNLESS OTHERWISE SPECIFIED DIMENSIONS ARE IN INCHES AND INCLUDE CHEMICALLY APPLIED OR PLATED FINISHES			
DECIMALS			
.X ± .05			
.XX ± .01			
.XXX ± .005			
FRACTIONS			
± 1/64			
ANGLES,			
± 0° 30'			
TOLERANCES			
CODE	S401-164 (4H1000)		
SCALE	1:1		
DATE	3-7-57		
CH. NO.			
DRAFTS			
CHECKER			
ENG. APP.			
TYPE & TEMPER			
HEAT TREAT. SPEC.			
DRAWN			
CHECKED			
ELEC. DES. APP.			
MECH. DES. APP.			
FINISH & SPEC. NO.			
			DC107