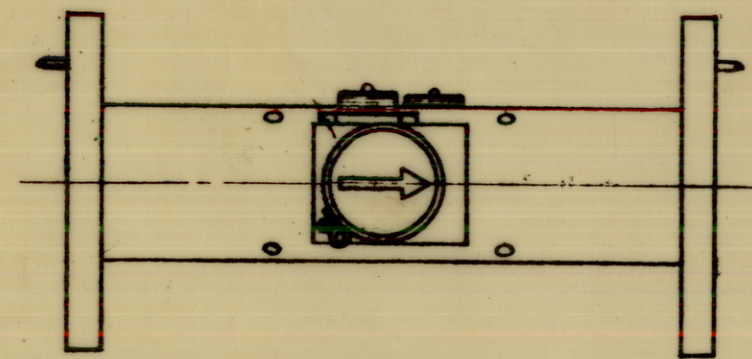
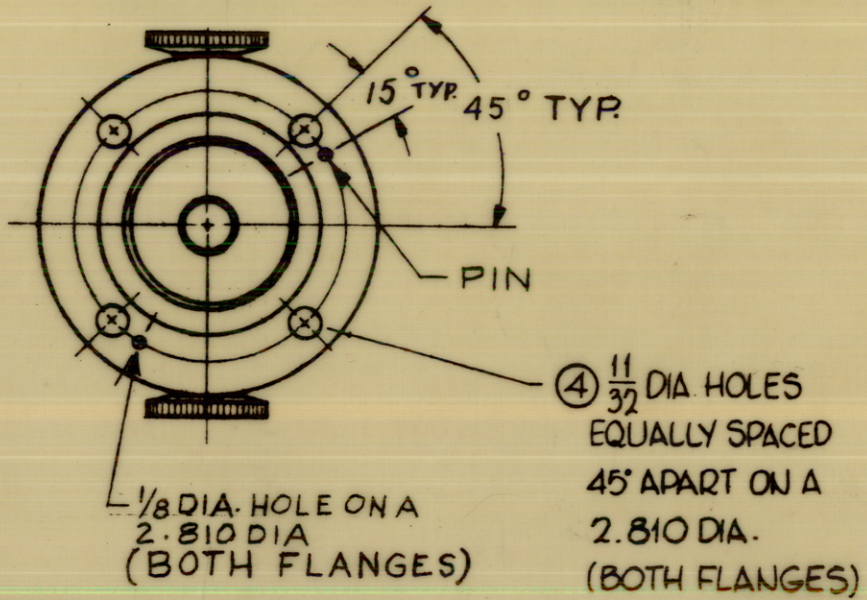
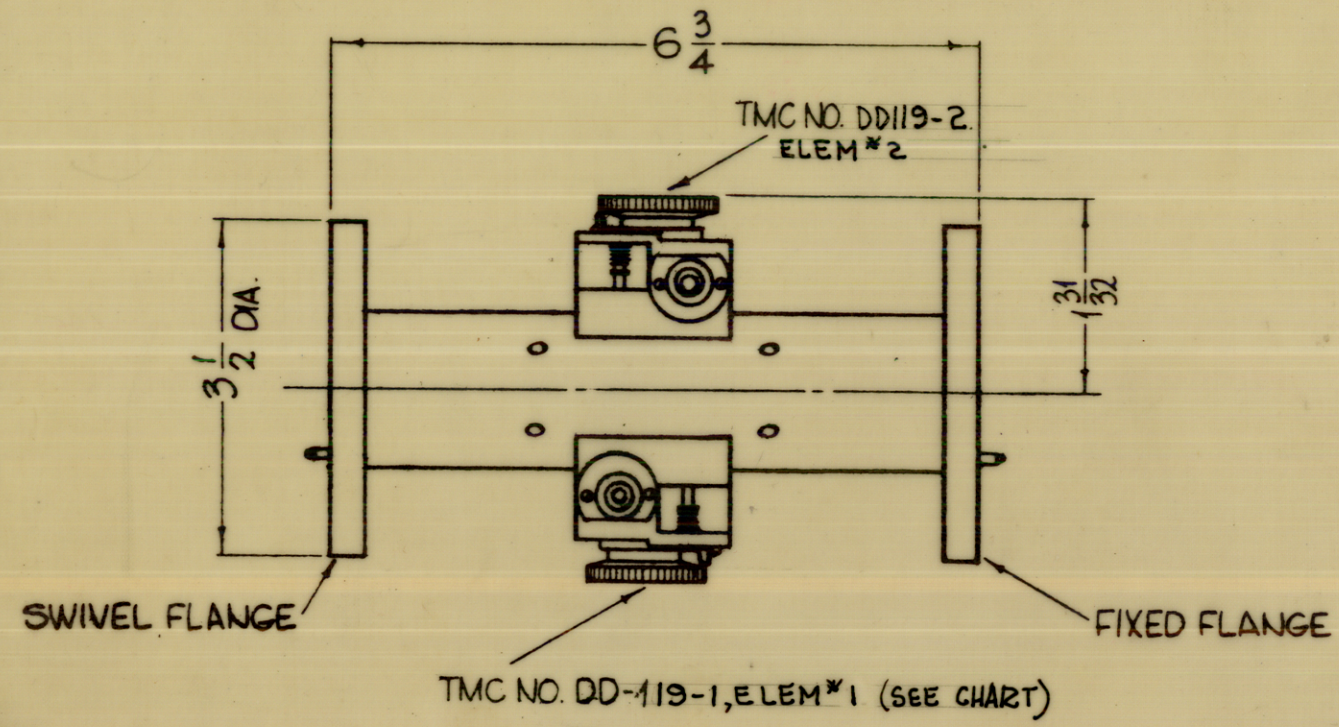


DC105

REVISIONS

SYM	DESCRIPTION	DATE	E.M.N. NO.	DRAFT	CHKD	APPD
X	EXPER. RELEASE	12-22-64	X	60		
Ø	ORIGINAL RELEASE FOR PRODUCTION	1-14-65	Ø	22		



TMC PART NUMBER	CONSISTS OF 1 EACH DETECTING ELEMENTS					
	ELEMENT #1	POWER	FREQ.	ELEMENT #2	POWER	FREQ.
DC105-1	DD119-1	10 KW	2-30 MC	DD119-2	5 KW	2-30 MC

MFR. TO SUPPLY THE FOLLOWING:
 1 DETECTING ELEMENT TMC NO. DD119-1.
 1 DETECTING ELEMENT TMC NO. DD119-2.

REQ'D.	ITEM	PART NUMBER	DESCRIPTION	SYMBOL
1	SWR-10K			

F. BUDETTI LIST OF MATERIAL

THE TECHNICAL MATERIEL CORP.
 MAMARONECK, NEW YORK

TITLE: **COUPLER DIRECTIONAL**
 1-5/8, 50 OHM.

UNLESS OTHERWISE SPECIFIED
 DIMENSIONS ARE IN INCHES AND INCLUDE
 CHEMICALLY APPLIED OR PLATED FINISHES

DECIMALS: .X ± .05, .XX ± .01, .XXX ± .005
 FRACTIONS: ± 1/64
 ANGLES: ± 0° 30'

APPROVAL: *G. Jensen* 12-22-64
 CHECKER: @ 12-30-64
 MECH. DEP: DR 1/19/65

DATE: 12-22-64
 DATE: 12-30-64
 DATE: 1/19/65

APPROVAL: *RAC*
 APPROVAL: *DR*

DC105

SHEET: 1
 REV. LTR.

NOTES

THE CONTENTS OF THIS DRAWING ARE THE EXCLUSIVE PROPERTY OF THE TECHNICAL MATERIEL CORP. ITS UNAUTHORIZED USE OR REPRODUCTION IN WHOLE OR IN PART IS STRICTLY FORBIDDEN.