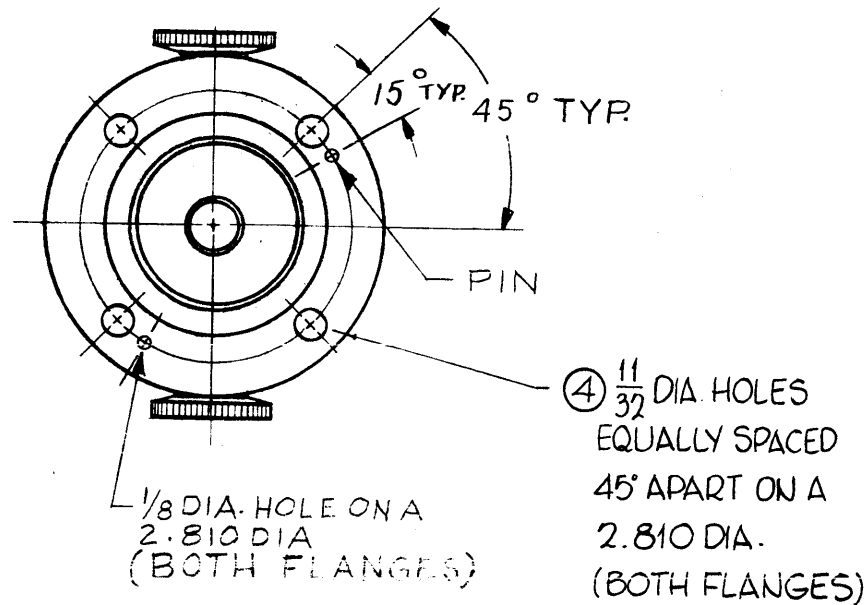
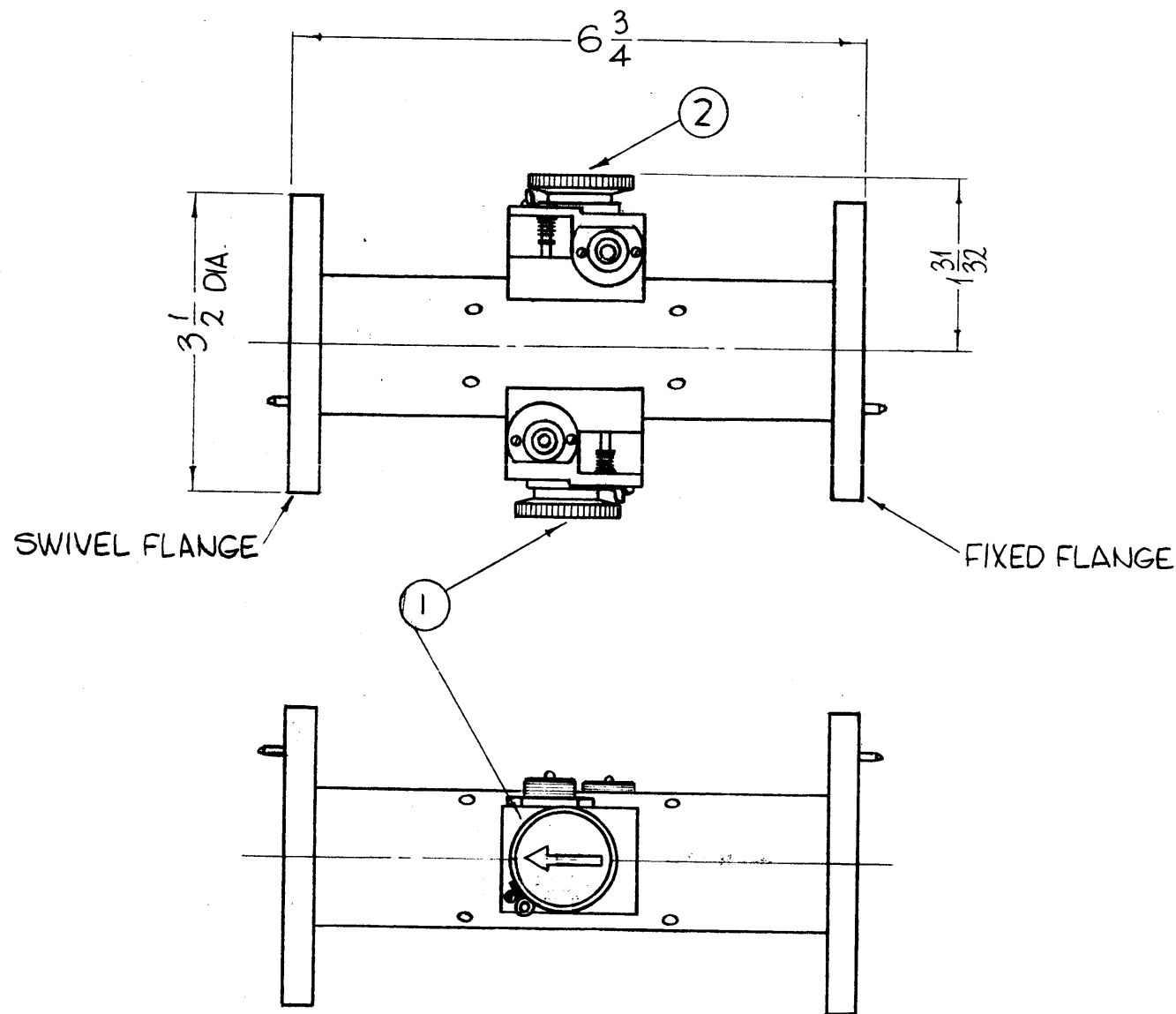


CHART 1		
TMC P/N	ITEM 1	ITEM 2
DC104	DD109-1	DD109-2
DC104-2	DD119-7	DD119-8
DC104-3	 	

SYM	DESCRIPTION	DATE	E.M.N. NO.	DRAFT	CHKD	APPD
O	ORIGINAL RELEASE FOR PRODUCTION					
A	PINS RELOCATED, DET. ELEMENT NO'S CLARIFIED	5/8/64	NONE	A.M.		
B	ON DD109-1 ARROW REVERSED	5/27/66	16308	WFW		
C	ADD IT. 1 & 2 P/N & CALLOUTS	3-2-67	17877	RME		
D	REVISED & UPDATED	1-16-68	18725	HJY		FB
E	ADDED DC104-3 TO CHART 1	2-27-70	19762	GE	ND	FB



MFR TO SUPPLY DETECTING ELEMENT AS PER CHART 1

SEE APPROPRIATE DETECTING ELEMENT DWG FOR ELEC DATA

NOTES

1	GPT40K()4 (AX510)	
1	GPT10K()7 (AX509)	
1	KIT-161	
Q'TY./UNIT	MODEL USED ON	ASS'Y. NO.
SCALE	CODE	

THE CONTENTS OF THIS DRAWING ARE THE EXCLUSIVE PROPERTY OF THE TECHNICAL MATERIEL CORP. ITS UNAUTHORIZED USE OR REPRODUCTION IN WHOLE OR IN PART IS STRICTLY FORBIDDEN.

REQ'D.	ITEM	PART NUMBER	DESCRIPTION	SYMBOL
1	2	SEE CHART 1	DETECTING ELEMENT	
1	1	SEE CHART 1	DETECTING ELEMENT	

F. BUDETTI

LIST OF MATERIAL

MATERIAL	THE TECHNICAL MATERIEL CORP. MAMARONECK, NEW YORK			
FINISH	TITLE COUPLER, DIRECTIONAL 1-5/8, 50 OHM.			
UNLESS OTHERWISE SPECIFIED DIMENSIONS ARE IN INCHES AND INCLUDE CHEMICALLY APPLIED OR PLATED FINISHES		DRAWN John C. Biele	DATE 10-11-63	FINAL APPROVAL RST
DECIMALS .X ± .05 .XX ± .01 .XXX ± .005		CHECKED AA	DATE 3/11/69	DATE
FRACTIONS ± 1/64 ANGLES ± 0° 30'		ELECT. DES. AA	DATE	DATE
TOLERANCES		DC 104		E
		SHEET		REV. LTR