

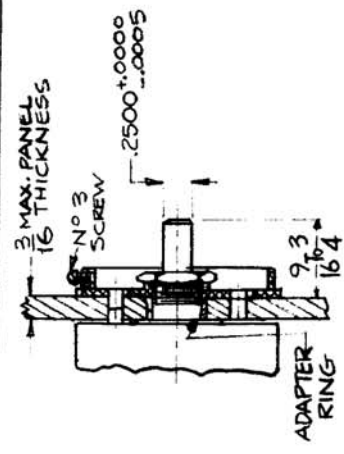
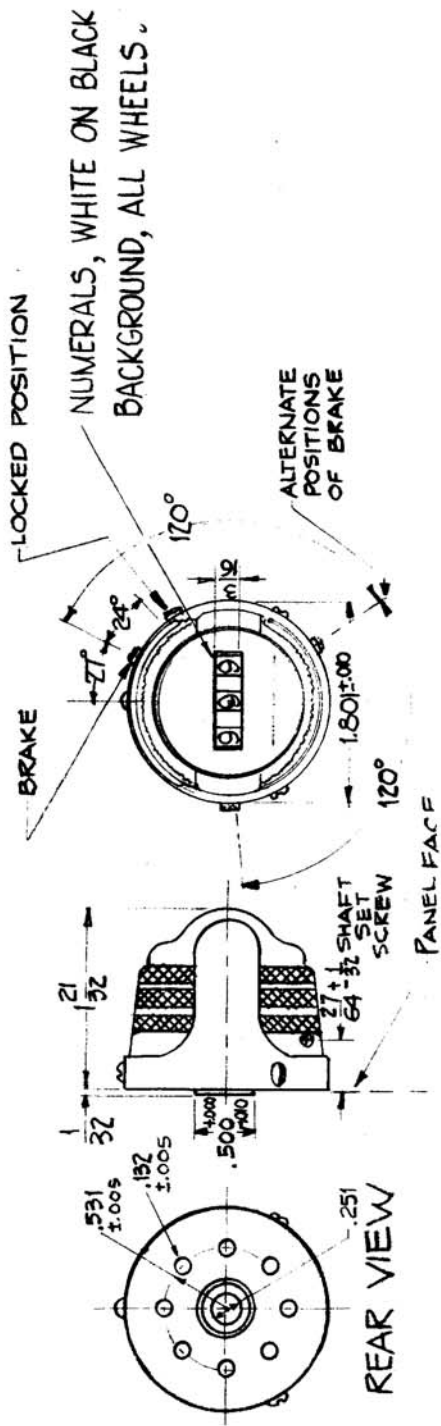
# STANDARD DRAWING

USED ON  
MODEL  
TIS-3

ASSY. NO.  
DATE  
9-21-60

REQ. PER UNIT  
1

CY-108



INTERNAL GEARS ARE TO BE BRASS  
Mounting on Panels Over 1/8 Showing Use of Adapter Ring N°61026 To Center Potentiometer

ISSUE ITEM	CHANGED FROM	DATE	CH. NO.	DRAFTS	CHECKER	ENG. APP.	REQ. ITEM	PART NO.	DESCRIPTION	
C	MFRS. PART NO. CHG	3-20-69	-	GE	WISB				THE TECHNICAL MATERIEL CORP. MAMARONECK, NEW YORK	
B	ID 5401-1309-BS-2002/ADP GEAR NOTE ADDED	8-24-64	12224	AB	XC				COUNTER, PRECISION	
A	Note added for numerals	3-30-61	4531	EM	YCS					
TOLERANCES										
SCALE: 5401-125 (1309AS896-41)										
MAXIMUM ALLOWABLE TOLERANCES HAVE BEEN DETERMINED AND ANY DEVIATIONS WILL BE CAUSE FOR REJECTION. REMOVE ALL BURRS AND SHARP EDGES										
DEC. DIM. ±										
FRAC. DIM. ±										
ANGULAR DIM. ±										
FINISH & SPEC. NO.										
TYPE & TEMPER										
HEATTREAT. SPEC.										
DRAWN										
CHECKED										
FINAL APPROVAL										
ELEC. DES. APP. MECH. DES. APP.										