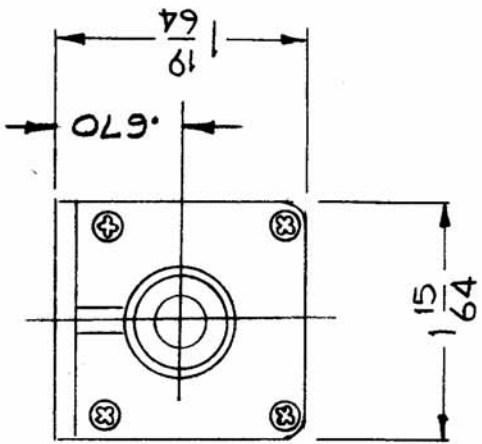
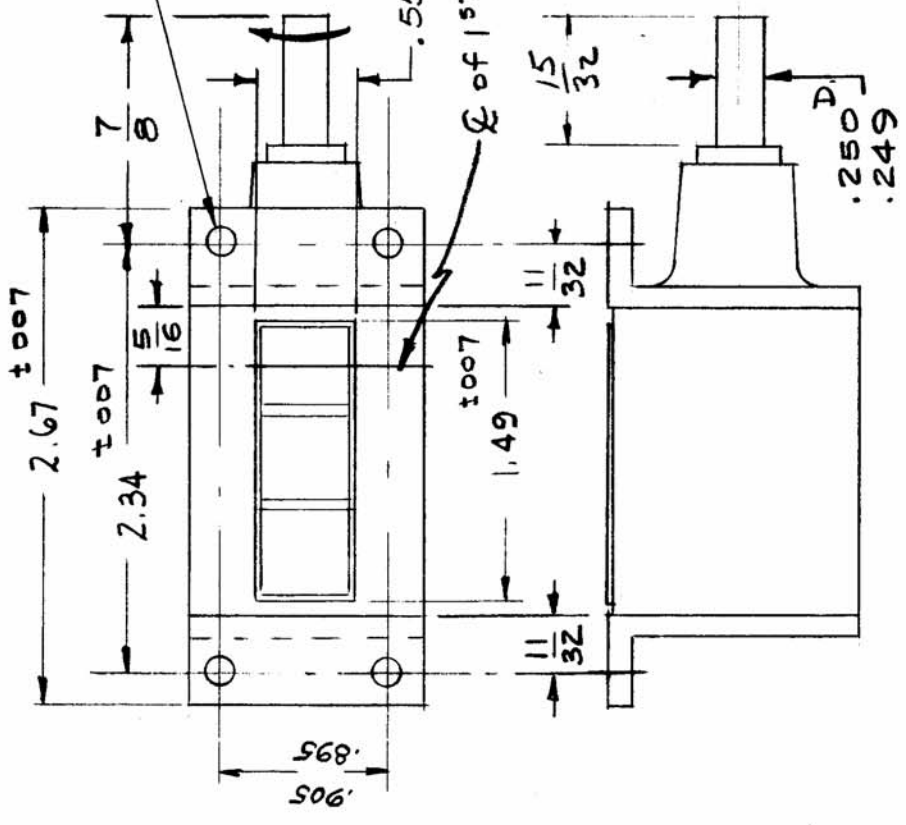


REQ. PART. UNIT 1	M DEL GPT-106	ASS'Y. N. AC-107	DATE 4-13-59
----------------------	------------------	---------------------	-----------------

CY-106 B

(140) DIA. ~ 4 Req.

PLAIN BEARING TYPE
NON-RESET
WHEELS - BLANK WHITE



REQ. ITEM	PART NO.	DESCRIPTION	SYMBOL
		THE TECHNICAL MATERIEL CORP. MAMARONECK, NEW YORK	
		COUNTER, ROTATING, 3 FIGURE	
		10R1LLD	ARR
		DRAWN	FINAL APPROVAL
		CHECKED	CY-106 B
		ELEC. DES. APP. MECH. DES. APP.	
FINISH & SPEC. NO.			
TYPE & TEMPER HEAT TREAT. SPEC.			
MATERIAL			
STOCK SIZE			

ISSUE ITEM	CHANGED FROM	DATE	CH. NO.	DRAFTS	CHECKER	ENG. APP.
B	ADDED - 5/16, 11/32, 7/8, .550, .250, .670 DIM. NUMBERS DELETED FROM WHEELS.	11/4/59	1534	16	Hde	
A	15/32 was	5/14/59	958	16	Hde	CRP

TOLERANCES
DEC. DIM. ±
FRAC. DIM. ±
ANGULAR DIM. ±

MAXIMUM ALLOWABLE TOLERANCES HAVE BEEN DETERMINED AND ANY DEVIATIONS WILL BE CAUSE FOR REJECTION. REMOVE ALL BURRS AND SHARP EDGES