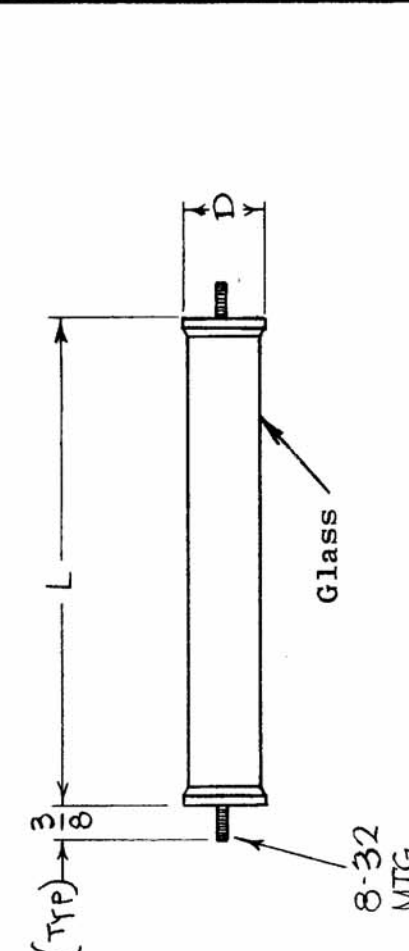


TMC P/N	MFG. P/N	CAPACITANCE Pf	CODE	VOLTAGE DC	"L" ±1/16	"D" ±1/16
CX115-1	OF500-202	2000	50	50,000	8-1/4	1-1/8
CX115-2	OF800-102A	1000	80	80,000	9 1/2	1 5/8

REQ. PER UNIT	MODEL	USED ON ASSY. NO.	DATE
3	HVRB-2		11-22-65
3	HVRC-2		11-22-65

CX115



**SPECIFICATIONS**

Temp. Range: -55°C to +85°C at rated voltage.  
 -55°C to +105°C at 60% rated voltage.

Test Voltage: 200% rated voltage for one minute.

Maximum Altitude: 100,000 feet (non-operating).

Power Factor: 1% maximum at 60 cps.

Life: 250 Hours at 85°C at 140% rated voltage.

TMC P/N shall be in following form  
**CX115-1-50-202**

BASIC TMC NO.      VOLTAGE      CAPACITANCE  
 EXPRESSED IN 3 DIGITS.

REQ. ITEM	PART NO.	BUDETTI	DESCRIPTION	SYMBOL
			THE TECHNICAL MATERIEL CORP. MAMARONECK. NEW YORK	
			CAPACITOR, FIXED PLASTIC	
			MATERIAL	
			STOCK SIZE	
			HEAT TREAT. SPEC.	
			TYPE & TEMPER	
			DRAWN	
			CHECKED	
			FINAL APPROVAL	
			FINISH & SPEC. NO.	
			ELEC. DES. APP.	
			MECH. DES. APP.	