

# STANDARD DRAWING

TMC P/N	Cap. (mfd)	Voltage	Char.	Case Dimensions							Mfg.	Mfg's P/N	Term.	Circ.	MIL BRKT # OR EQUIV.
				A	B	C	D	F	G	W					
CX113-1	0.1±10%	10KV DC	1	3 3/4	1 1/4	3 7/8	1 1/2	2	1	1 3/8	B A	TKB.61 TYPE 96104	E	1	CP07-C2
CX113-2	10 ± 10%	5KVDC	1A	8	4	6 3/8	4 1/2	1	1 3/8	A	96106	E	1	CP07-J6	

REVISIONS						
SYM	DESCRIPTION	DATE	E.M.N. NO.	DRAFT	CHKD	APPD
XI	ON-1, "D" WAS 3/8, "W" WAS 1 1/4, CX113-2, MIL BRKT COLUMN & CHAR. 1A ADDED "F" DIM TOL WAS ± 1/16	5/14/66	M	Jc		
Ø	ORIGINAL RELEASE FOR PRODUCTION					

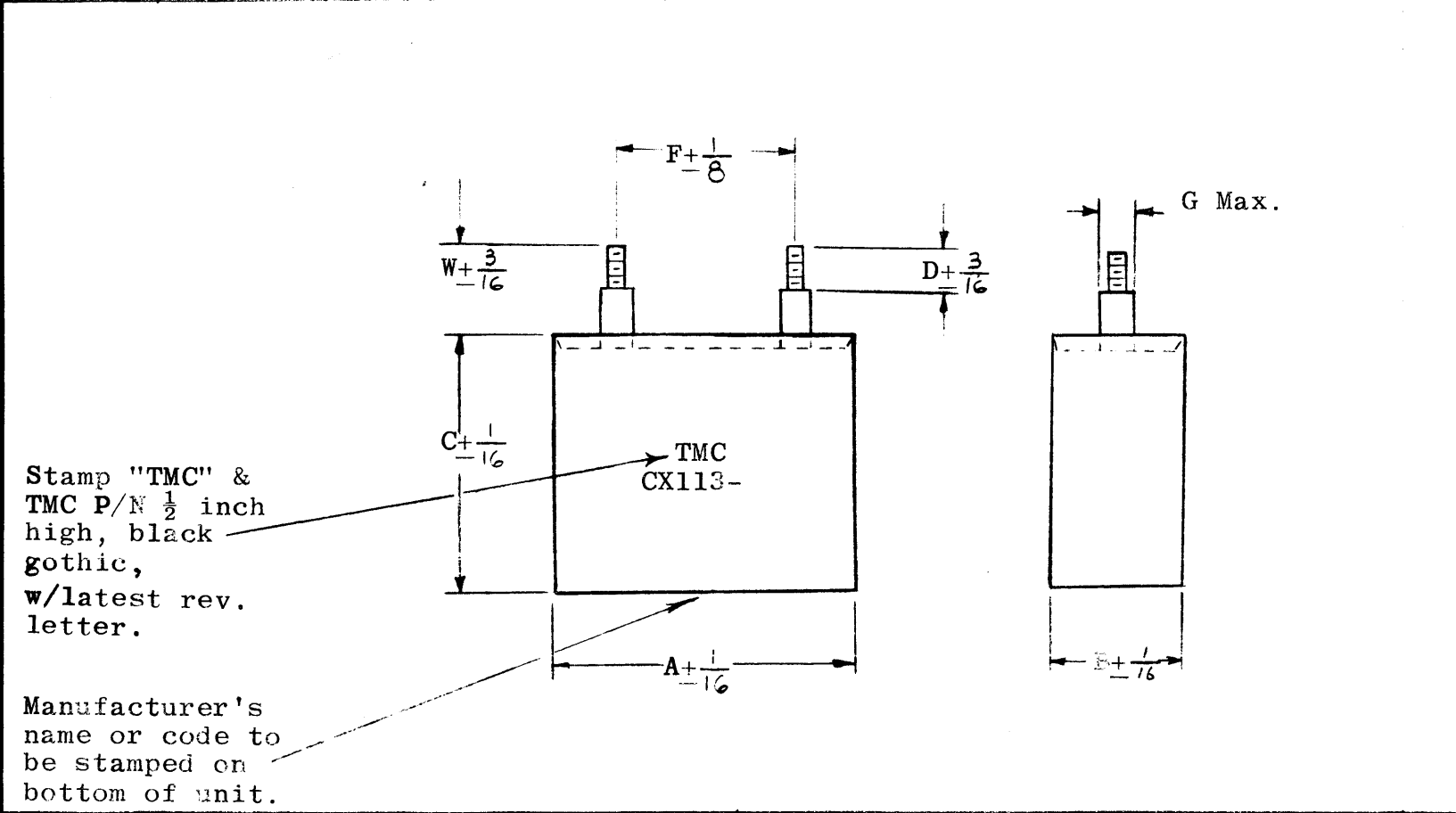
CX113

### SPECIFICATIONS

(Characteristic 1)

CHARACTERISTIC 1A

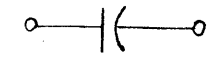
Voltage; at +25 C-See Chart  
 Temperature Range: -55°C to +65°C ————— -55° to +85°C  
 Dissipation Factor: 1% at 1,000 cps and +25°C ——— @ 60CPS  
 Insulation Resistance: at +25°C-20,000 Megohms Min- 2000MΩ



Term. "E"

Pillar insulator for use at altitudes up to 7,500 feet. Supplied with one nut, one flat washer, and one lock washer per terminal. 10-32 UNF-2 thread.

Circ. 1



REQ'D.	ITEM	PART NUMBER	DESCRIPTION	SYMBOL
Trotter/Dewey / BUDETTI LIST OF MATERIAL				
MATERIAL		THE TECHNICAL MATERIEL CORP. MAMARONECK, NEW YORK		
Case: Steel				
FINISH		TITLE		
TMC Grey, S115		CAPACITOR, FIXED, PLASTIC, METAL CASE		
UNLESS OTHERWISE SPECIFIED DIMENSIONS ARE IN INCHES AND INCLUDE CHEMICALLY APPLIED OR PLATED FINISHES		DRAWN FRD	DATE 1/27/66	FINAL APPROV
		CHECKED JCB	DATE 4/12/66	
		ELECT. DES.	DATE	
		MECH. DES.	DATE	
		CX113		
		SHEET		REV. LTR.

### NOTES

THE CONTENTS OF THIS DRAWING ARE THE EXCLUSIVE PROPERTY OF THE TECHNICAL MATERIEL CORP. ITS UNAUTHORIZED USE OR REPRODUCTION IN WHOLE OR IN PART IS STRICTLY FORBIDDEN.

DECIMALS	TOLERANCES	FRACTIONS
.X ± .05		± 1/64
.XX ± .01		ANGLES ± 0° 30'
.XXX ± .005		

ML 28 5/26/66