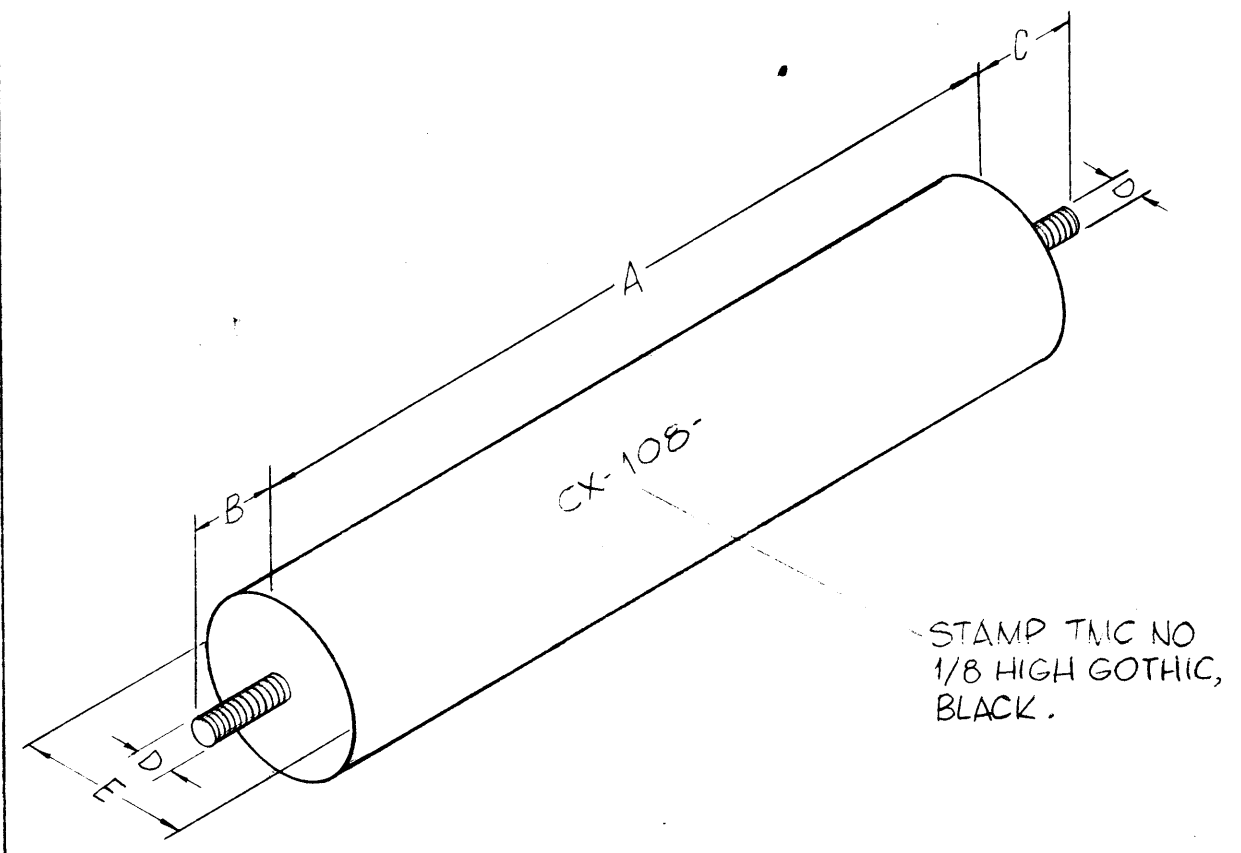


TMC NO.	MFG. NO.	CAPACITANCE ± 10%	VOLTS	A [±] _{1/16}	B	C	D	E [±] _{1/32}	OPERTEMP.	USED ON
CX-108-1	857 SERIES	.003 MFD.	25 KV	9-1/2	3/4	3/4	1/4-20	1-3/4	-60°+85°C	GPT-40K
-2	857 SERIES	.003 MFD	30KV	10	3/4	3/4	1/4-20	1-3/4	-60°+85°C	GPT-200K
-3	857 SERIES	.001 MFD	25KV	5-3/4	3/4	3/4	1/4-20	1-3/4	-60°+85°C	GPT-200K

CX-108

REVISIONS					
SYM	DESCRIPTION	DATE	E.M.N. NO.	DRAFT	CHKD APPD
0	ORIGINAL RELEASE FOR PRODUCTION	5-16-64		SRG	
A	B & C DIM WERE 1/2	2-16-64	15794	SRG	JOB SR



STAMP TMC NO
1/8 HIGH GOTHIC,
BLACK.

REF - THE GUDENMAN CO.

REQ'D.	ITEM	PART NUMBER	DESCRIPTION	SYMBOL
	F. BUDETTI		LIST OF MATERIAL	
MATERIAL		THE TECHNICAL MATERIEL CORP. MAMARONECK, NEW YORK		
FINISH		TITLE CAPACITOR FIXED, TEFLON (UNBREAKABLE)		
UNLESS OTHERWISE SPECIFIED DIMENSIONS ARE IN INCHES AND INCLUDE CHEMICALLY APPLIED OR PLATED FINISHES		DRAWN SRG	DATE 11-14-62	FINAL APPROVAL RDR
		CHECKED QA	DATE	
DECIMALS .X ± .05 .XX ± .01 .XXX ± .005		ELECT. DES. DD	DATE 4/30/64	CX-108
TOLERANCES ± 1/64 ANGLES ± 0° 30'		MECH. DES. MC	DATE 4/30/64	A
			SHEET	REV. LTR.

NOTES

THE CONTENTS OF THIS DRAWING ARE THE EXCLUSIVE PROPERTY OF THE TECHNICAL MATERIEL CORP. ITS UNAUTHORIZED USE OR REPRODUCTION IN WHOLE OR IN PART IS STRICTLY FORBIDDEN.