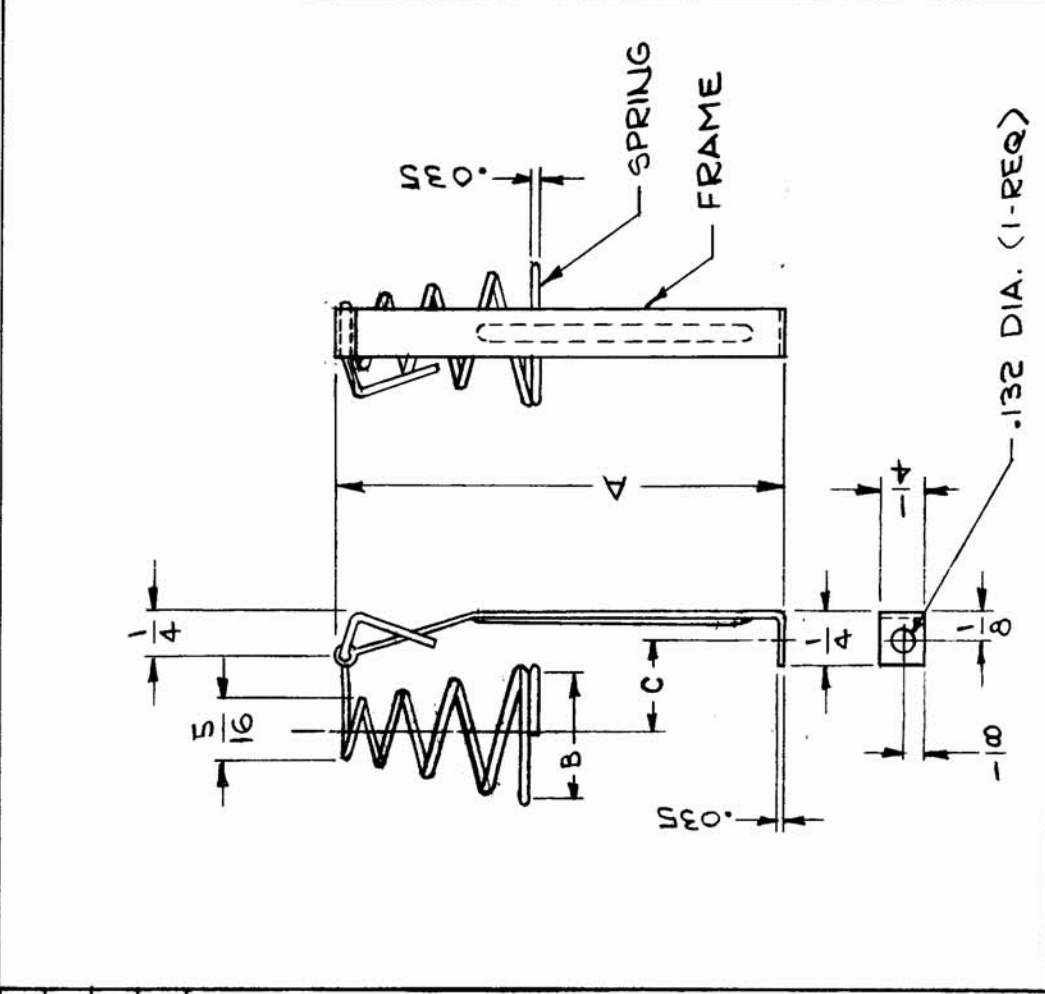


TMC PART NUMBER	MFG PART NUMBER	TUBE	LENGTH	"A" DIM.	"B" DIA.	"C" DIM.	USED ON		CU153	A
							MODEL	DATE		
CU153-1	560	7 PIN	1 1/8	1 1/2	11/16	15/32	ASSY. NO.	4-B-6A		
CU153-2	561	7 PIN	1 1/2	1 7/8	11/16	15/32	GPR-92			
CU153-3	562	7 PIN	2	2 3/8	11/16	15/32				
CU153-4	563	9 PIN	1 1/2	1 7/8	13/16	19/32				



FRAME - COLD ROLLED STEEL
 SPRING - MUSIC WIRE - QQW470
 FINISH - NICKEL PLATE PREFERRED
 CADMIUM PLATE ACCEPTABLE

REQ. ITEM	PART NO.	DESCRIPTION	SYMBOL
		GELLMAN	
A	TC-100-7.6.64	THE TECHNICAL MATERIEL CORP. MAMARONECK, NEW YORK	
O	428.64	RETAINER TUBE	
X	4.8.64		
SYM	DESCRIPTION	DRAWN	FINAL APPROVAL
	UNLESS OTHERWISE SPECIFIED DIMENSIONS ARE IN INCHES AND INCLUDE CHEMICALLY APPLIED OR PLATED FINISHES	<i>G. Luman</i>	<i>R. L.</i>
	SCALE	CHECKED	
	DATE	9/27/64	
	CH. NO.		
	DRAFTS		
	CHECKER		
	ENG. APP.		
	TYPE & TEMPER		
	HEAT TREAT. SPEC.		
	MATERIAL		
	FINISH & SPEC. NO.		
	ELEC. DES. APP.		
	MECH. DES. APP.		
	CODE		
	5401-8		
	TOLERANCES		
	FRACTIONS		
	DECIMALS		
	XX ± .01		
	.XX ± .01		
	.XXX ± .005		
	± 1/64		
	ANGLES		
	± 0° 30'		
	CU153		
	A		