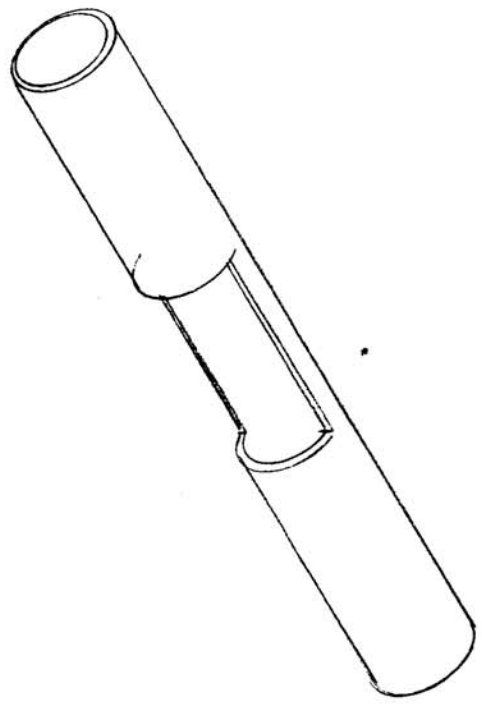


REQ. UNIT	USED ON	CU-125	
2	ASSY. NO.		
	MODEL	A-1421	
	DATE	7-26-57	



REF: NATIONAL ELECTRIC PROD. P/O # CF2-G17

REQ. ITEM	PART NO.	DESCRIPTION	SYMBOL
		THE TECHNICAL MATERIEL CORP. MAMARONECK. NEW YORK	
		CONNECTOR, CRIMP	
		P/O PO-137	
		MATERIAL	
		STOCK SIZE	
		TYPE & TEMPER	
		HEAT TREAT. SPEC.	
		CHECKED	
		DRAWN	
		FINISH & SPEC. NO.	
		ELEC. DES. APP. MECH. DES. APP.	
		FINAL APPROVAL	
			CU-125

SCALE:
 MAXIMUM ALLOWABLE TOLERANCES HAVE BEEN DETERMINED AND ANY DEVIATIONS WILL BE CAUSE FOR REJECTION.
 REMOVE ALL BURRS AND SHARP EDGES

TOLERANCES
 DEC. DIM. \pm
 FRAC. DIM. \pm
 ANGULAR DIM. \pm