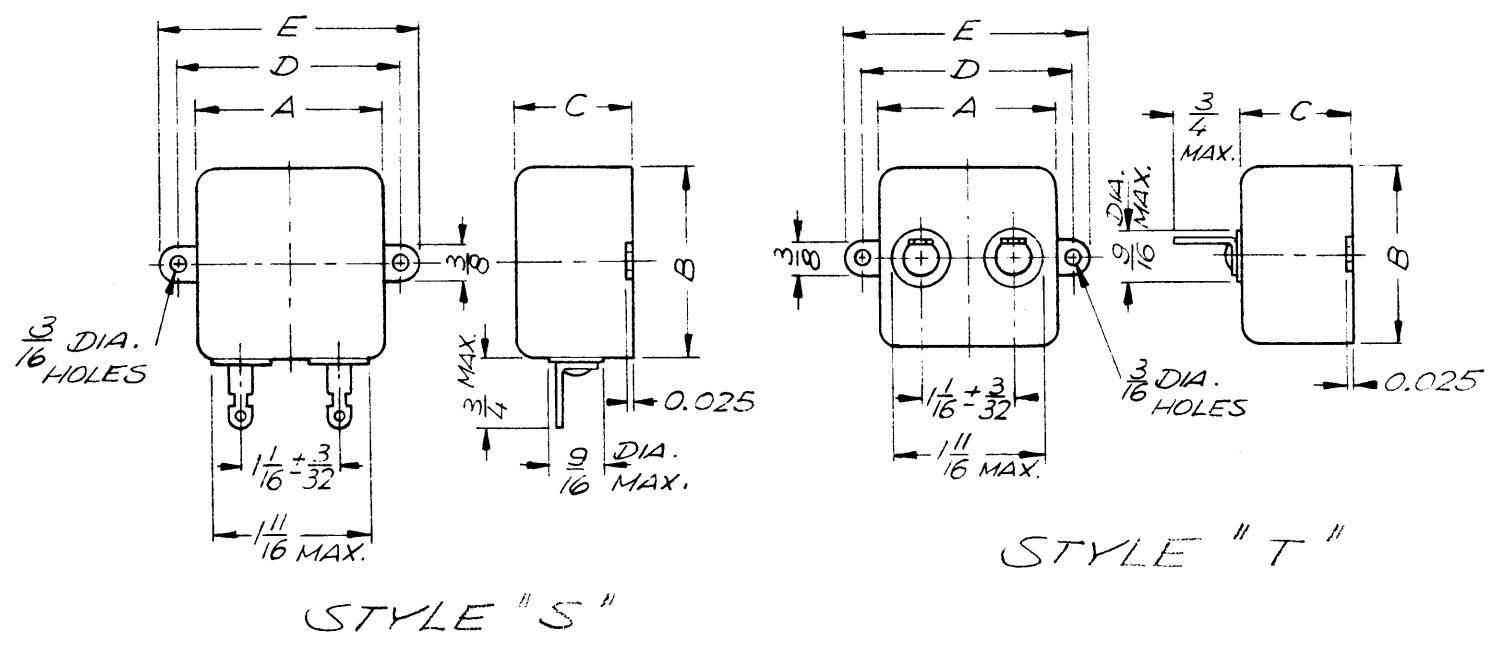


DC VOLTAGE RATING	CAPACITANCE μ F	MFG CAT. NO. STYLE "S"	MFG CAT. NO. STYLE "T"	A $\pm 1/16$	B $\pm 1/16$	C $-1/8, +1/16$	D $\pm 1/32$	E $\pm 1/16$
150	20	143P1M	143P101M	2	2	1	23/8	23/4
	25	143P2M	143P102M	2	2	1 1/8		
	30	143P3M	143P103M	2	2	1 1/4		
	35	143P4M	143P104M	2	2	1 1/2		
200	15	143P5M	143P105M	2	2	1		
	20	143P6M	143P106M	2	2	1 1/8		
	25	143P7M	143P107M	2	2	1 1/4		
400	4	143P8M	143P108M	2	2	1		
	5	143P9M	143P109M	2	2	1		
	6	143P10M	143P110M	2	2	1 1/8		
	7	143P11M	143P111M	2	2	1 1/4		
600	8	143P12M	143P112M	2	2	1 1/2		
	3	143P13M	143P113M	2	2	1		
	4	143P14M	143P114M	2	2	1 1/4		
	5	143P15M	143P115M	2	2	1 1/2	23/8	23/4

REVISIONS							
ZONE	LTR	DESCRIPTION	DATE	E.M.N.NO	DRAFT	CHKD	APPD
	X	EXP. RELEASE	10/2/69		KH		PA
	Ø	ORIG RELEASE FOR PROD	10/1/69		CV		

TMC MFG CODE NO.: S401 - 49
MFG TYPE NO.: 143P

SPECIFICATIONS:
TEMP. RANGE: -55°C TO +125°C
CONSTRUCTION: METALIZED PAPER
CASE: NON CORROSIVE METAL CASE
HERMETICALLY SEALED
TERMINALS: SOLDER TYPE



TMC PART NO. SHALL APPEAR IN THE FOLLOWING FORM:

CP121 - 25 M 150 T

BASIC TMC DWG. NO. (SEE CHART)

TOL.	
K	±10%
M	±20%

VOLTAGE DC

STYLE

QTY / UNIT	PALA - 10K	AX 5084
APPLICATION		
CODE	S401 - 49	
NOTICE TO PERSONS RECEIVING THIS DRAWING THE TECHNICAL MATERIEL CORPORATION claims proprietary right in the material disclosed hereon. This drawing is issued in confidence for engineering information only and may not be reproduced or used to manufacture anything shown hereon without permission from THE TECHNICAL MATERIEL CORPORATION to the user. This drawing is loaned for mutual assistance and is subject to recall at any time.		

REQ'D	ITEM	PART NUMBER	DESCRIPTION	SYM.
LIST OF MATERIAL				
UNLESS OTHERWISE SPECIFIED DIMENSIONS ARE IN INCHES AND INCLUDE CHEMICALLY APPLIED OR PLATED FINISHES				
FINAL APPROVAL	DATE	THE TECHNICAL MATERIEL CORP.		
MECH. DES.	DATE	MAMARONECK, NEW YORK		
ELECT. DES.	DATE	CAPACITOR, FIXED		
CHECKED	DATE	METALIZED PAPER		
DRAWN	DATE	SIZE	CODE IDENT. NO.	DWG NO.
		B	82679	CP 121
FINISH		SCALE	SHEET	OF