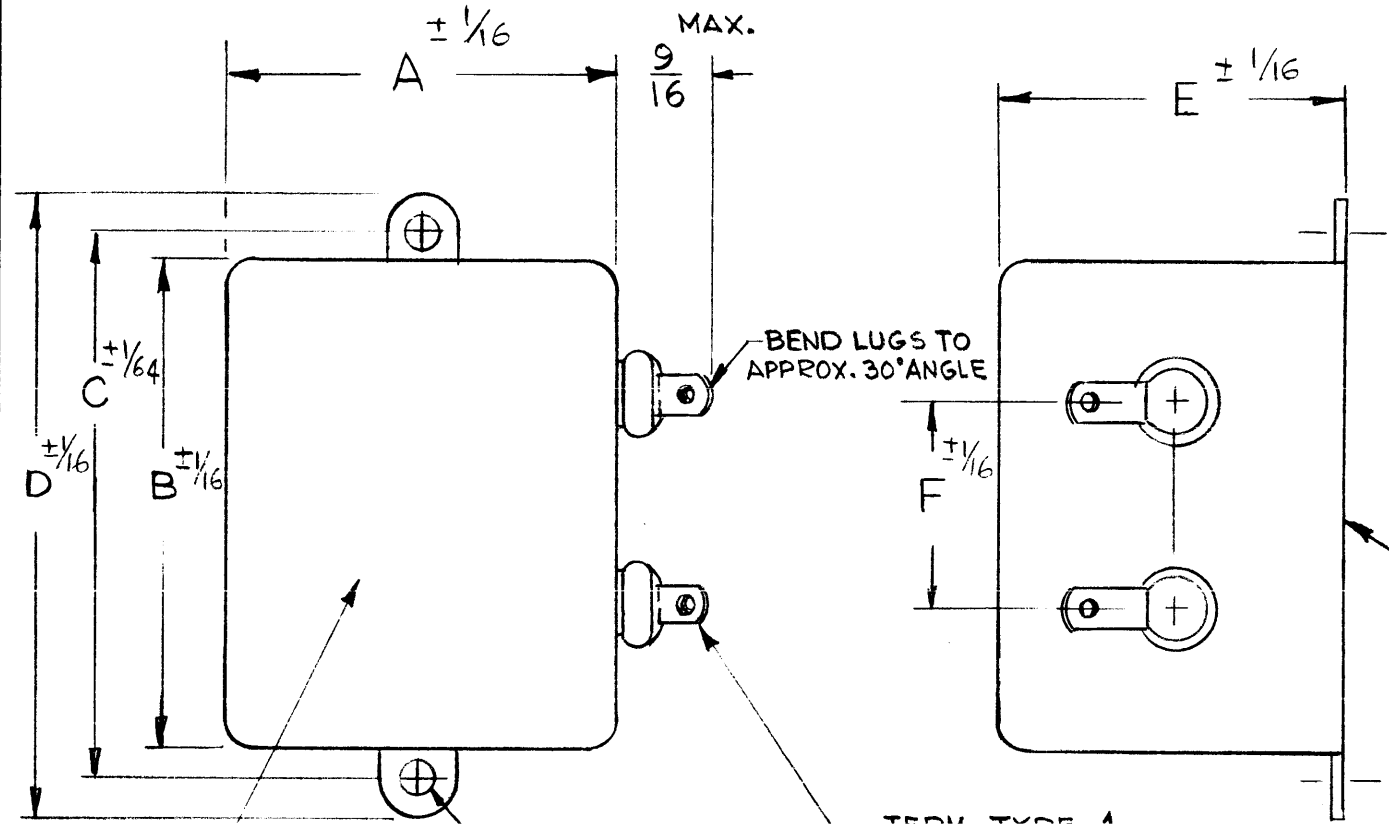


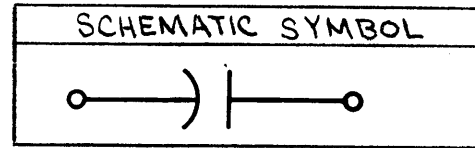
STANDARD DRAWING

CP117-B

REVISIONS					
SYM	DESCRIPTION	DATE	E.M.N. NO.	DRAFT	CHKD APPD
Ø	ORIGINAL RELEASE FOR PRODUCTION	3-18-66	Ø	WAW	
A	ADDED 6-32 TAP ON TYPE 1 TERMINAL HOLES.	7-21-66	16605	RME	JCB [Signature]
B	ADDED WORDS BOTTOM & PAINTING NOTE. ADDED SCHEMATIC SYMBOL	11-17-66	17271	RME	JCB [Signature]



TMC PART NO.	MFG PART No	CAPACITY		RATED VOLT. WORKING	I. R @ 25°C MEGOHMS MIN.	TYPE TERM	DIMENSIONS					
		UF	TOL.				A	B	C	D	E	F
CP117-1	95220	1.0	10%	1KVDC	10,000	1	2	2	2 ³ / ₈	2 ³ / ₄	1 ¹ / ₈	1 ¹ / ₁₆
CP117-2	96103	0.1	20%	2KVDC	100,000	2	1	1 ³ / ₁₆	2 ¹ / ₈	2 ¹ / ₂	1	1



~ SPECIFICATIONS ~

TEST VOLT : 2 X RATED VOLT. TERM. TO TERM., TERM. TO CASE.

D.F 25°C @ 1KC : 1.0%

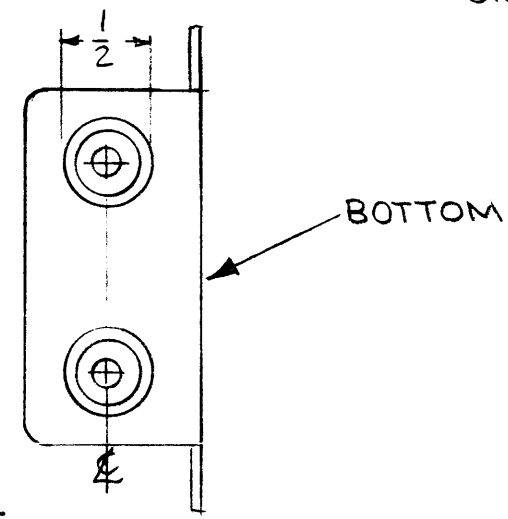
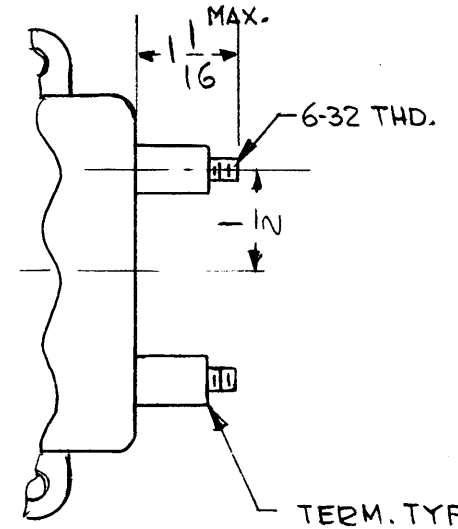
CONSTRUCTION : EXTENDED FOIL

CASE : METAL, HERMETICALLY SEALED

OPERATING TEMP. RANGE : -55°C TO +85°C.

NOTE :
DO NOT PAINT BOTTOM OR MOUNTING TABS.

STAMP TMC P/N, CAP., AND VOLTAGE 1/8 HIGH BLACK GOTHIC.



NOTES

GPT-10KLF		ASS'Y. NO.
Q'TY./UNIT	MODEL USED ON	
SCALE	CODE	
DO NOT SCALE	C	3401-112
THE CONTENTS OF THIS DRAWING ARE THE EXCLUSIVE PROPERTY OF THE TECHNICAL MATERIEL CORP. ITS UNAUTHORIZED USE OR REPRODUCTION IN WHOLE OR IN PART IS STRICTLY FORBIDDEN.		

REQ'D.	ITEM	PART NUMBER	DESCRIPTION	SYMBOL
BUDETTI LIST OF MATERIAL				
MATERIAL			THE TECHNICAL MATERIEL CORP. MAMARONECK, NEW YORK	
FINISH			TITLE	
S115-TMC GREY			CAPACITOR, FIXED FILM DIELECTRIC	
UNLESS OTHERWISE SPECIFIED DIMENSIONS ARE IN INCHES AND INCLUDE CHEMICALLY APPLIED OR PLATED FINISHES		DRAWN	DATE	FINAL APPROVAL
		G.D.L.	1-31-66	[Signature]
		CHECKED	DATE	
		[Signature]	3-16-66	
		ELECT. DES.	DATE	
		[Signature]	3-17-66	
		MECH. DES.	DATE	
		[Signature]		
SHEET				REV. LTR.
				B

W/L A.K.L. 3/18/66