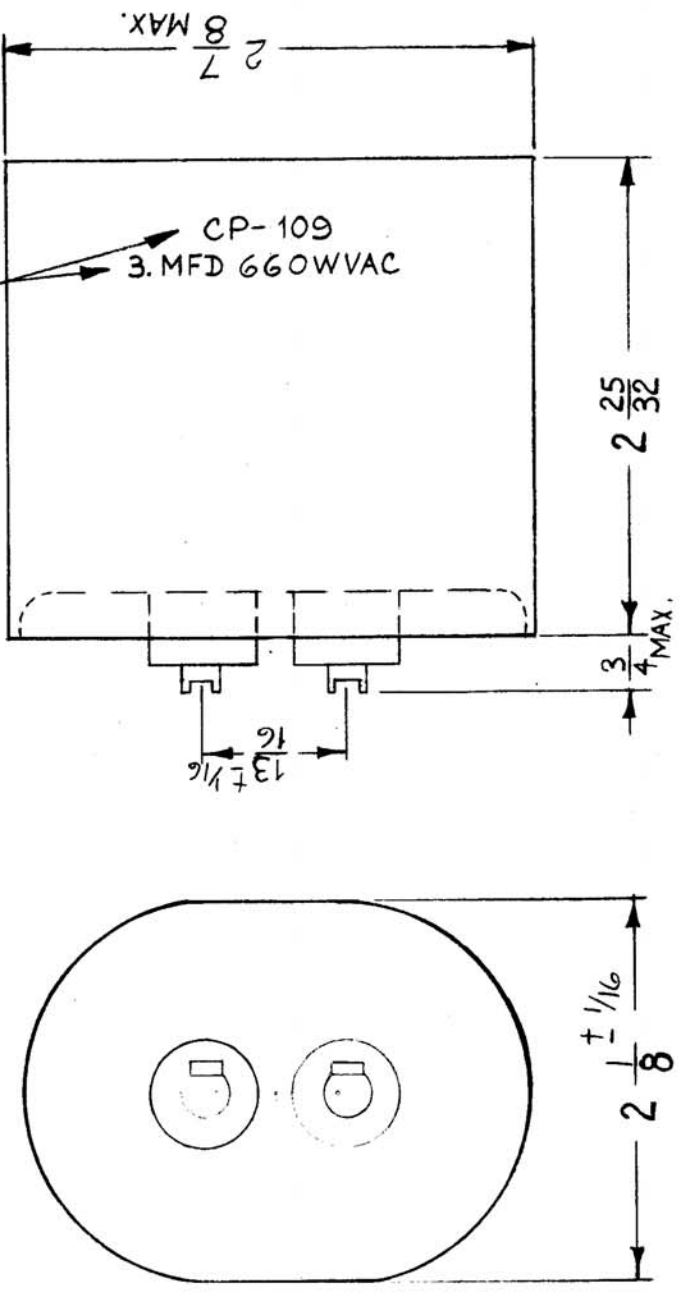


REQ. PER UNIT	1
MODEL	CPP-2
USED ON	CP-109
ASBY. NO.	5-23-60
DATE	
	C

TO BE STAMPED 1/8 HIGH BLACK GOTHIC.

ELECTRICAL SPEC.
 3 MFC 660 VAC
 60 ~
 CAP. TOL = ±6%

NOTE:
 THIS CAPACITOR MUST BE
 SUPPLIED W/TMC PART
 TF-223. BY TRANSFORMER
 MFR.



REF: USE CU-135 (BRACKET).

REQ. ITEM	PART NO.	DESCRIPTION	SYMBOL
C 1		THE TECHNICAL MATERIEL CORP. MAMARONECK, NEW YORK	C
B 1		CAPACITOR, FIXED	
A 1		OIL FILLED	
ISSUE ITEM	CHANGED FROM	CHECKED	FINAL APPROVAL
		<i>[Signature]</i>	<i>[Signature]</i>
		DRAWN	CP-109
		ELEC. DES. APP	
		MECH. DES. APP	

53-61	4789	RU	<i>[Signature]</i>	DATE	CH. NO.	DRAFTS	CHECKER	ENG. APP.
12-14-60	3720	MFC	<i>[Signature]</i>					
8-18-60	2780	RU	<i>[Signature]</i>					

SCALE: S-401-34 (8066-3)

MAXIMUM ALLOWABLE TOLERANCES HAVE BEEN DETERMINED AND ANY DEVIATIONS WILL BE CAUSE FOR REJECTION. REMOVE ALL BURRS AND SHARP EDGES

TOLERANCES
 DEC. DIM. ±
 FRAC. DIM. ±
 ANGULAR DIM. ±