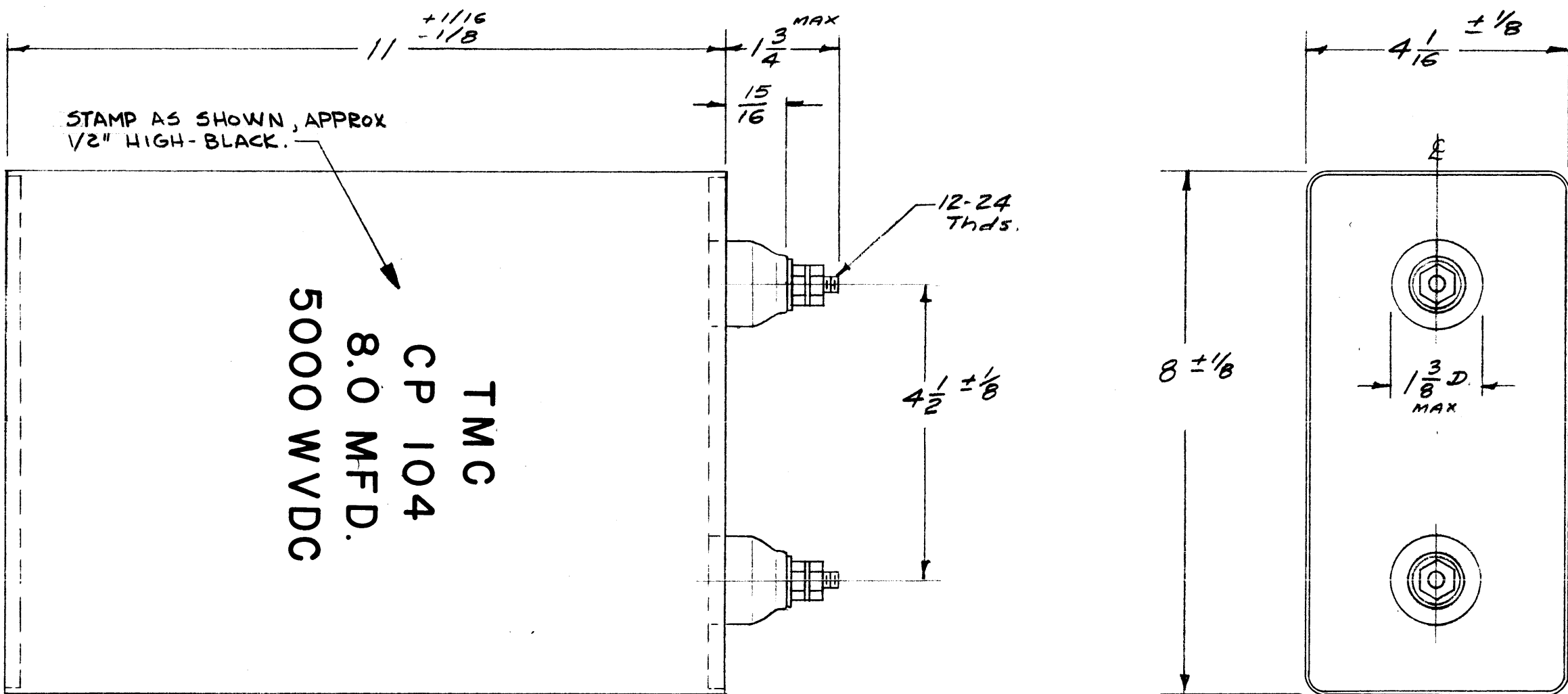


CP 104 A

NOTE:
MANUFACTURERS
NAME SHALL NOT
APPEAR ON TOP OR
SIDES OF CASE.



SPECIFICATIONS
CASE: METALLIC, UNINSULATED, HERMETICALLY SEALED
MAX. ALTITUDE: 7,000 FEET AT RATED VOLTAGE.
TERMINALS: TWO PULLER INSULATORS 12-24NC2A
THREAD. SHALL BE SUPPLIED WITH ONE NUT, ONE
FLAT WASHER AND ONE LOCKWASHER PER TERMINAL.
TERMINAL STRENGTH: 10 POUNDS PULL(MIN.) 15
POUNDS TORQUE(MIN)
CAPACITANCE: 8.0 mfd $\pm 10\%$
WORKING VOLTAGE: 5,000VDC
ALLOWABLE PEAK TO PEAK RIPPLE VOLTAGE:
1,250V @ 60 cps 100V @ 10,000 cps
900V @ 120 cps

TEMP. RANGE: -10°C TO $+60^{\circ}\text{C}$
VIBRATION: 10 TO 55 cps
DISSIPATION FACTOR: LESS THAN
1%.
INSULATION RESISTANCE: TERM
TO TERM. -400Ω mfd @ 25°C
MIN.
TERM TO CASE $-3,000\Omega$ MIN.
DIELECTRIC WITHSTANDING
VOLTAGE: TERM TO TERM - 10KV
FOR 15 SEC.
TERM TO CASE -- 11KV FOR 15 SEC
MAX. ALLOWABLE RMS CURRENT:
15 AMPS

NOTICE TO PERSONS RECEIVING THIS DRAWING

THE TECHNICAL MATERIEL CORPORATION claims
proprietary right in the material disclosed herein.
This drawing is loaned in confidence for engineering
information only and may not be reproduced or used
to manufacture any thing shown hereon without per-
mission from THE TECHNICAL MATERIEL CORPORA-
TION to the user. The user is loaned for mutual
assistance and is subject to recall at any time.

APPLICABLE SPECS:
MIL-C-25 (CP-DI-
N805K2)

THE TECHNICAL MATERIEL CORPORATION
MAMARONECK, NEW YORK

ISSUE	ITEM	CHANGED FROM	DATE	CH. NO.	DRAFTS	CHECKER	ENG. APP.
A	1	SPECS REVISED FINISH & NOTE ADDED	4-30-65	13922			

TOLERANCES

SCALE: 3-401-34 (7150-8)

DEC. DIM. \pm
FRAC. DIM. \pm
ANGULAR DIM. \pm

MAXIMUM ALLOWABLE TOLERANCES HAVE
BEEN DETERMINED AND ANY DEVIATIONS
WILL BE CAUSE FOR REJECTION.
REMOVE ALL BURRS AND SHARP EDGES

REQ. PER UNIT	MODEL	PROJECT N.	ASS'Y. NO.	DATE
1	GPT-10K	T1-105 (P.S.)		4-15-59

USED ON

REQ. ITEM	PART NO.	DESCRIPTION	SYMBOL
		THE TECHNICAL MATERIEL CORP. MAMARONECK, NEW YORK	
		STOCK SIZE	
		CAPACITOR, FIXED, PAPER, METAL CASE	
		MATERIAL	
		6/15/59	
		TYPE & TEMPER	
		HEAT TREAT. SPEC.	
		5115 SMOOTH GRAY ENAMEL	
		FINISH & SPEC. NO.	
		DRAWN	
		CHECKED	
		FINAL APPROVAL	
		ELEC. DES. APP.	
		MECH. DES. APP.	
		CP-104	A