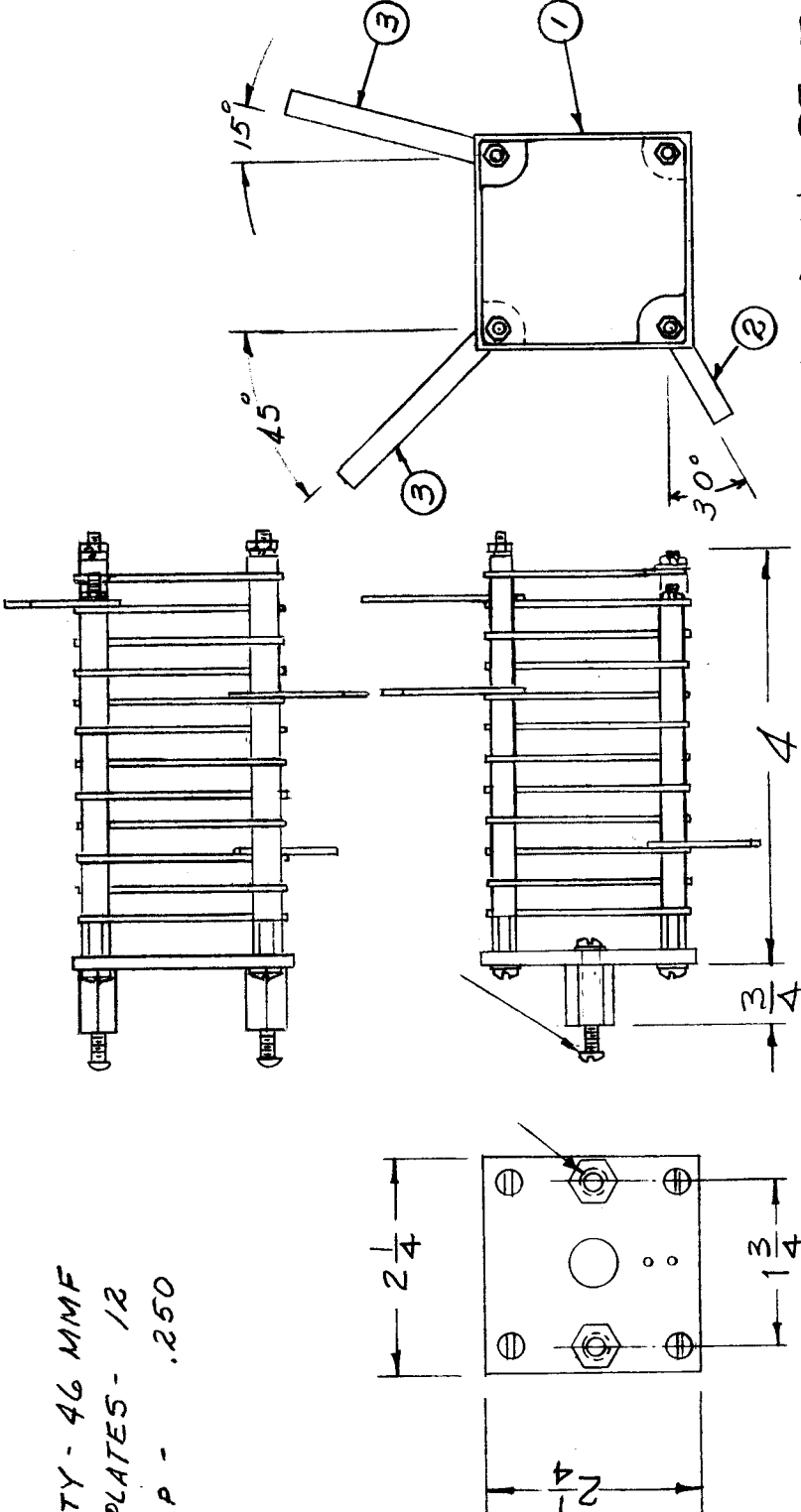


REQ. PER UNIT: 1  
 MODEL: AT5-TU  
 ASSY. NO.:  
 DATE: 6/5/58  
 USED ON: CO-100 A

CAPACITY - 46 MMF  
 No. OF PLATES - 12  
 AIR GAP - .250



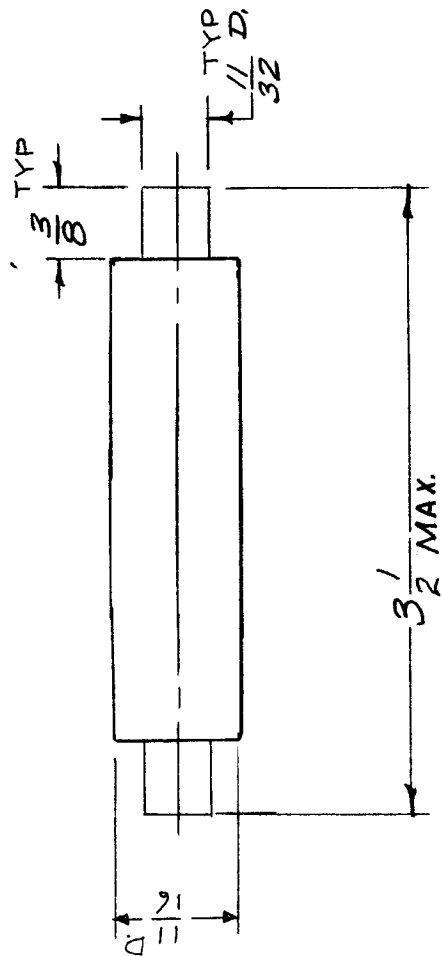
REF: CARDWELL 9705-1

2	3	MS-203-3-2.75	LEAD, CONNECTING, 1/4 WIDE		
1	2	MS-203-3-1.25	LEAD, CONNECTING, 1/4 WIDE		
1	1	As Shown	CAPACITOR,		
REQ. ITEM	PART NO.	DESCRIPTION		SYMBOL	
		THE TECHNICAL MATERIEL CORP. MAMARONECK, NEW YORK			
	STOCK SIZE	CAPACITOR, FIXED, AIR			
	MATERIAL				
	TYPE & TEMPER	HEAT TREAT. SPEC.	DRAWN	CHECKED	FINAL APPROVAL
	FINISH & SPEC. NO.		HS	JAE	JBR
			SAF	AMB	CO-100 A
					ELEC. DES. APP.   MECH. DES. APP.

ISSUE ITEM	CHANGED FROM	DATE	CH. NO.	DRAFTS	CHECKER	ENG. APP.
A 1	REDESIGNED	6/6/58	1	KAC	JAE	JBR
TOLERANCES						
SCALE:						
MAXIMUM ALLOWABLE TOLERANCES HAVE BEEN DETERMINED AND ANY DEVIATIONS WILL BE CAUSE FOR REJECTION. REMOVE ALL BURRS AND SHARP EDGES						
DEC. DIM.	±					
FRAC. DIM.	±					
ANGULAR DIM.	±					

REG. PER. UNIT	MODEL	USED ON ASSY. NO.	DATE
		CO-102	B

TMC PART NO.	CAP. IN MMFD.	PEAK VOLT. RATING IN KV	CURRENT RATING AMPS RMS
CO-102-1	1	25	7
CO-102-2	2	25	7
CO-102-3	3	25	7
CO-102-4	4	25	7
CO-102-5	5	25	7



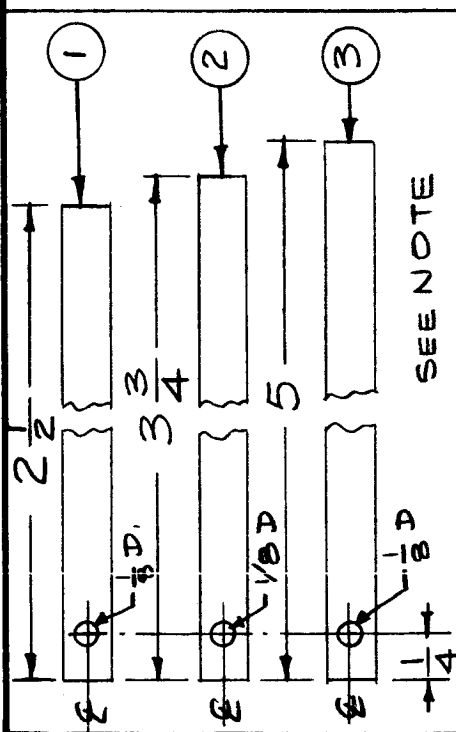
# STANDARD DRAWING

REQ. ITEM	REQ. ITEM	PART NO.	DESCRIPTION	SYMBOL
			THE TECHNICAL MATERIEL CORP. MAMARONECK, NEW YORK	
B	REVISED		CAPACITOR, FIXED, VACUUM, 25KV	
A	1	1970 13042		
ISSUE ITEM	CHANGED FROM	DATE	CHECKER (ENG. APP.)	
		1-9-70 12-1-64	KD 9L	
TOLERANCES		SCALE: 5401-48 (TYPCY)		
MAXIMUM ALLOWABLE TOLERANCES HAVE BEEN DETERMINED AND ANY DEVIATIONS WILL BE CAUSE FOR REJECTION. REMOVE ALL BURRS AND SHARP EDGES				
DEC. DIM. ±				
FRAC. DIM. ±				
ANGULAR DIM. ±				
	DRAWN	CHECKED	FINAL APPROVAL	
	6/21/59	JND	ARB	
		Y.G.	CO-102	B
	FINISH & SPEC. NO.		ELEC. DES. APP. MECH. DES. APP.	

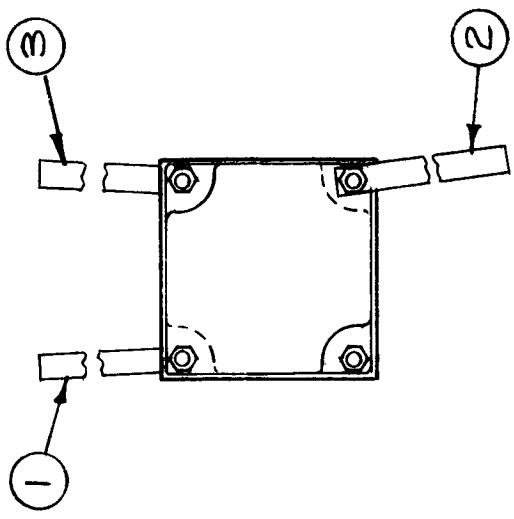


REQ. PER UNIT	MODEL	USED ON
1	TU-2	ASSY. NO. DATE
		10-14-59

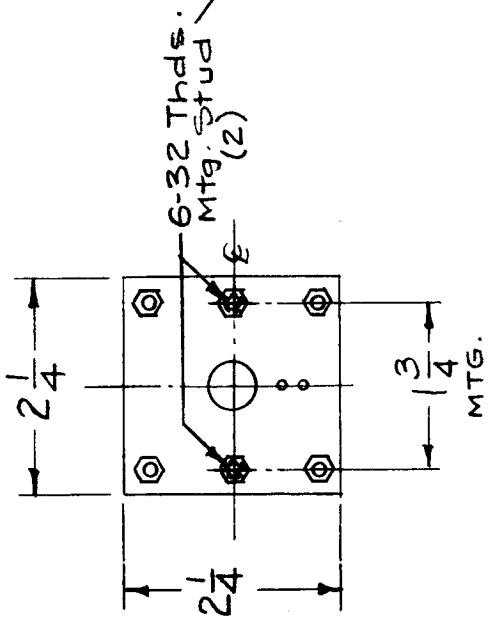
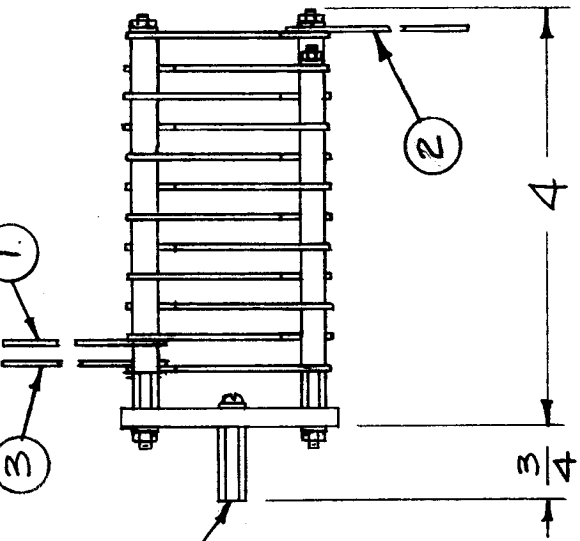
CO-105 A



**NOTE** - Straps ①, ②, & ③ to be 1/4 WIDE X .025 THK. COPPER, SILVER PLATED (.0003 THK), with dimensions as shown in detail.



CAPACITY - 46  $\mu$ uf  
 NO. OF PLATES - 12  
 AIR GAP - .250"



REG. ITEM	DESCRIPTION	SYMBOL
	THE TECHNICAL MATERIEL CORP.	
	MAMARONECK, NEW YORK	
	CAPACITOR, FIXED, AIR, 46 UUF.	
	16/14/59	AMPB
	RE-DRAWN	FINAL APPROVAL
	CHECKED	
	TYPE & TEMPER	
	HEAT TREAT. SPEC.	
	MATERIAL	
	STOCK SIZE	
	PART NO.	
	FINISH & SPEC. NO.	
	SCALE: 5401-65 (9705 MOD)	
	MAXIMUM ALLOWABLE TOLERANCES HAVE BEEN DETERMINED AND ANY DEVIATIONS WILL BE CAUSE FOR REJECTION. REMOVE ALL BURRS AND SHARP EDGES	
ISSUE ITEM	CHANGED FROM	
A 1	Redrawn, Revised, Clarified, Straps Moved	
DATE	CH. NO. DRAFTS	CHECKER ENG. APP.
19/14/59	1431 16	AMPB
DEC. DIM. $\pm$		
FRAC. DIM. $\pm$		
ANGULAR DIM. $\pm$		
TOLERANCES		
CO-105 A		

# STANDARD DRAWING

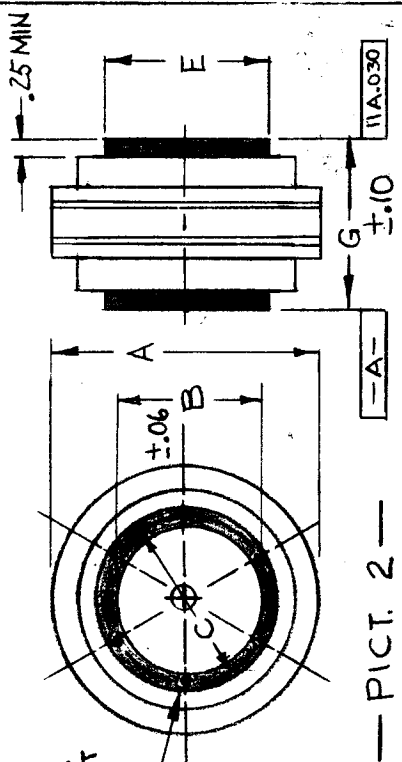
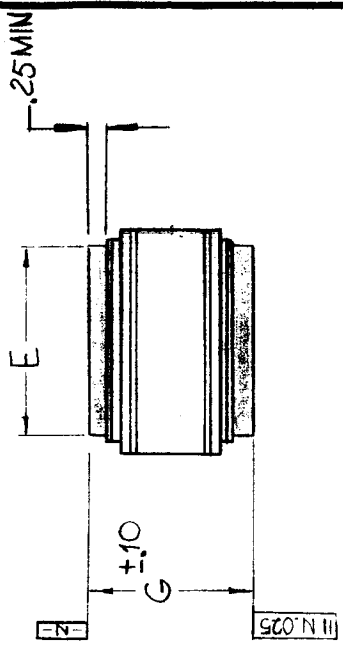
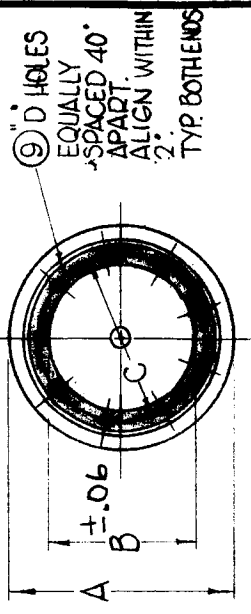
CO109 C

USED ON  
ASS'Y. NO.  
DATE  
6-25-63  
6-25-63

REQ. PER UNIT  
MODEL  
REPRODUCTION IN WHOLE OR IN PART IS STRICTLY FORBIDDEN.

THE CONTENTS OF THIS DRAWING ARE THE EXCLUSIVE PROPERTY OF THE TECHNICAL MATERIEL CORP. ITS UNAUTHORIZED USE FOR REPRODUCTION IN WHOLE OR IN PART IS STRICTLY FORBIDDEN.

TMC PT NO.	MFG NO.	CAPACITANCE	VOLT RATING PEAK KV	AMPS-RMS CURRENT RATING	DIMENSIONS TYPICAL BOTH ENDS				E	G	PICT	REQ.
					A	B	C	D				
CC 109-1	CFEA	1000UUF	25KV	130	4.50	3.050	3.400	1/4-20	3.750	3 13/16	1	2 AX393 1 AS124
CO 109-2	CFHA-200	200UUF	55KV	150	4.50	3.050	3.400	1/4-20	3.750	5 13/16	1	1 AX393
CO 109-3	CFDP1000A	± 5% 2000 PF	15 KV	125	5.50	3.00	3.500	1/4-20	4.000	3.3	2	



6" D HOLES EQ.  
SPACED 60° APART  
ALIGN WITHIN 2°  
TYP. BOTH ENDS

NOTE FOR PICT. 1 & 2:  
1. BOTH ENDS OF HOLES  
CONCENTRIC WITHIN .045.  
2. SHADED AREAS INDICATE  
CONTACT SURFACES.  
3. HOLES TAPPED 7 THD MIN

(REFER TO NOTES 1 & 2 ON PICT 2.)

— PICT. 1 —

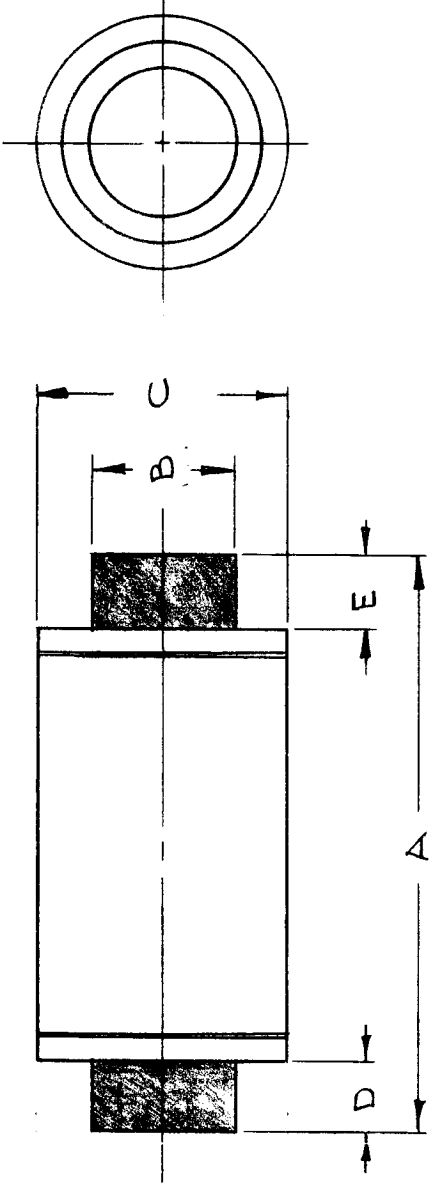
— PICT. 2 —

SYM	DESCRIPTION	DATE	CH. NO.	DRAFTS	CHECKER	ENG. APP.	SCALE	TYPE & TEMPER	HEAT TREAT. SPEC.	FINISH & SPEC. NO.
C	NOTE 3 ADDED; PT. 1/2 CHART REV. DIM CLARIFIED	7.11.66	16529	WAD	WAD					
B	DIM. 1/2 ON 2 WAS 4 13/16 DIM 1/2 ON 2 WAS 5 3/16	1/4/66	15404	H.V.	WAD					
A	PICT. 2 ADD; CO-109-3 ADD; AMPS-RMS ADD. TO CURRENT RATE. COL.	5.6.65	13939	S.A.	WAD					
O	ORIGINAL RELEASE FOR PRODUCTION	5-13-64	0	A.M.						
F. BUDETTI		DESCRIPTION		PART NO.		SYMBOL				
THE TECHNICAL MATERIEL CORP. MAMARONECK, NEW YORK		CAPACITOR, FIXED VACUUM								
John C. Biele		AA		DRAWN		CHECKED		FINAL APPROVAL		
ELEC. DES. APP.		MECH. DES. APP.		CO 109		C				

# STANDARD DRAWING

REQ. PER UNIT	USED ON	CO-111	Ø
	ASS'Y. NO.		
	DATE		
MODEL	GPT-200K		

TMC PART-NO	MFR NO.	CAP	VOLT RATING PEAK K.V.	CURRENT RATING	DIMENSIONS				
					A	B	C	D	E
CO-111-1	CHFL-3	3muf	30K.V.	600 AMP	3/4	1 5/16	3/8	3/8	3/8
CO-111-2	CHFL-5	5muf	30K.V.	600 AMP	3/4	1 5/16	3/8	3/8	3/8



MATERIAL:  
BODY: CERAMIC  
CONTACT: COPPER, SILVER PLATED

NOTE:

SHADED AREAS INDICATE CONTACT SURFACES

REQ. ITEM	PART NO.	DESCRIPTION	SYMBOL
		THE TECHNICAL MATERIEL CORP. MAMARONECK. NEW YORK	
		CAPACITOR, FIXED, VACUM	
		ICB	
		3/24/64	
		DRWN	
		CHECKED	
		FINAL APPROVAL	
		MECH. DES. APP.	
		ELEC. DES. APP.	
		MECH. DES. APP.	
		CO-111	Ø

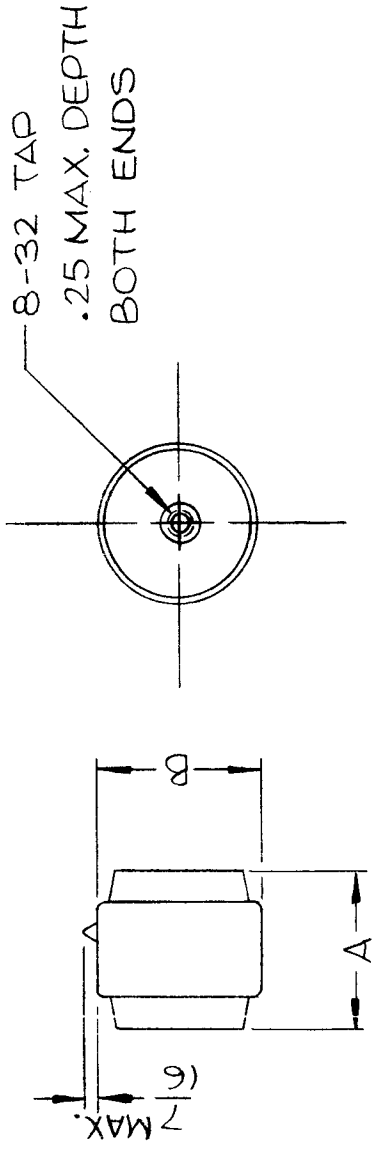
# STANDARD DRAWING

DIMENSIONS		CAPACITANCE
A	B	IN P F
1 1/16 ± 1/8	1 3/8 MAX	60
1 5/8 ± 1/8	1 1/16 MAX	100

REQ. PER UNIT	MODEL	USED ON	DATE
	LPGA-1	ABB'Y. NO.	10-13-66
			CO112

### SPECIFICATIONS

VOLTAGE RATING: 7.5KV PEAK  
 CURRENT RATING: 30A RMS



TMC PART No. TO BE IN THE FOLLOWING FORM

CO112 - 60

BASIC TMC PART/NO. CAPACITANCE IN PF (SEE CHART)

REQ. ITEM		PART NO.	BUDETTI DESCRIPTION	SYMBOL
∅			THE TECHNICAL MATERIEL CORP. MAMARONECK. NEW YORK	∅
X			CAPACITOR, FIXED, VACUUM	
SYM	DESCRIPTION	SCALE	DRAWN	CHECKED
	EXPERIMENTAL RELEASE	11/3/66	WHD	10/13/66
	UNLESS OTHERWISE SPECIFIED DIMENSIONS ARE IN INCHES AND INCLUDE CHEMICALLY APPLIED OR PLATED FINISHES	DATE	ELEC. DES. APP. MECH. DES. APP.	FINAL APPROVAL
	TOLERANCES	CH. NO.		
	FRACTIONS ± 1/64 ANGLES ± 0° 30'	DRAFTS CHECKER		
		ENG. APP.		
		CODE		
		S401-48		
		FINISH & SPEC. NO.		

APPLICATION			REVISIONS						
QTY	MODEL USED ON	ASS'Y NO.	LTR	DESCRIPTION	DATE	E.M.N.NO	DRAFT	CHKD	APPD
1	SPT3K/VHF	AX8081	Ø	ORIG RELEASE FOR PROD	7/17/69	Ø	CV		<i>[Signature]</i>

MFR PART NUMBER: JMF100

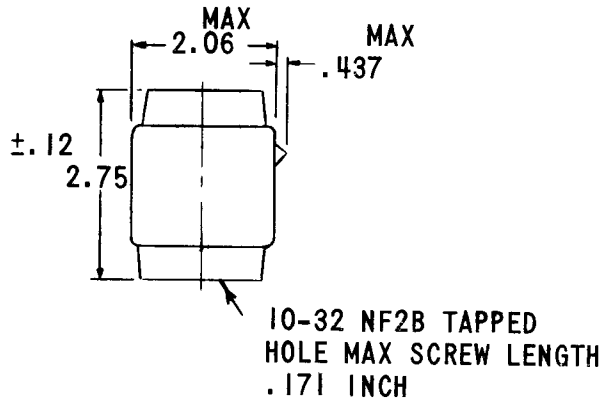
SPECIFICATIONS

CAPACITY: 100pf

PEAK TEST VOLTAGE: 30KV •

WEIGHT: 7 OZ. NOM

MOUNTING: BOTH ENDS HAVE 10-32 TAPPED HOLES



UNLESS OTHERWISE SPECIFIED DIMENSIONS ARE IN INCHES AND INCLUDE CHEMICALLY APPLIED OR PLATED FINISHES		REQ'D	ITEM	PART NUMBER	DESCRIPTION	SYM.	
DECIMALS: .X ± .05, .XX ± .01, .XXX ± .005 FRACTIONS: 1/64, ANGLES: 0° .30'		LIST OF MATERIAL					
MATERIAL		FINAL APPROVAL <i>[Signature]</i>		DATE 7-11-69	<b>THE TECHNICAL MATERIEL CORP.</b> MAMARONECK, NEW YORK  CAPACITOR, FIXED, VACCUM		
FINISH		MECH. DES. <i>[Signature]</i>		DATE 4/11/69			
S401-48 (JMF100)		ELECT. DES.		DATE			
		CHECKED <i>[Signature]</i>		DATE 4/11/69			
		DRAWN <i>[Signature]</i>		DATE 7/17/69			
<b>NOTICE TO PERSONS RECEIVING THIS DRAWING</b> THE TECHNICAL MATERIEL CORPORATION claims proprietary right in the material disclosed hereon. This drawing is issued in confidence for engineering information only and may not be reproduced or used to manufacture anything shown hereon without permission from THE TECHNICAL MATERIEL CORPORATION to the user. This drawing is loaned for mutual assistance and is subject to recall at any time.				SIZE A	CODE IDENT. NO. 82679	DWG NO. CO 8001	ISSUE Ø
SCALE				SHEET		OF	