

# STANDARD DRAWING

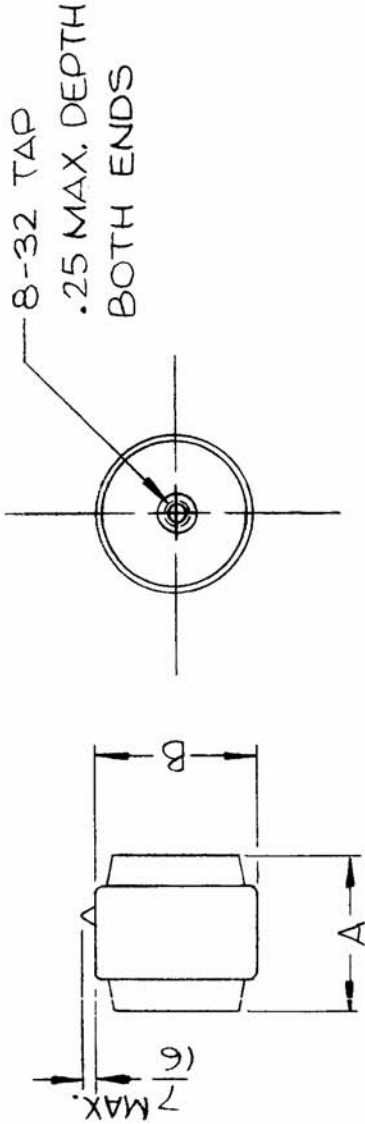
DIMENSIONS	CAPACITANCE
A	IN PF
$1 \frac{1}{16} \pm \frac{1}{8}$ ( $\frac{3}{8}$ MAX )	60
$1 \frac{5}{8} \pm \frac{1}{8}$ ( $\frac{1}{16}$ MAX )	100

USED ON	
REQ. PER UNIT	ASY. NO.
MODEL	DATE
LPGG-1	10-13-66
CO112	
Ø	

## SPECIFICATIONS

VOLTAGE RATING: 7.5KV PEAK

CURRENT RATING: 30A RMS



TMC PART No. TO BE IN THE FOLLOWING FORM

CO112 -- 60

BASIC TMC PART/NO. CAPACITANCE IN PF (SEE CHART)

REQ. ITEM	PART NO.	DESCRIPTION	SYMBOL
	H	THE TECHNICAL MATERIEL CORP. MAMARONECK. NEW YORK	
	H	CAPACITOR, FIXED, VACUUM	
		MATERIAL	
		TYPE & TEMPER	
		HEAT TREAT. SPEC.	
		CHECKED	
		FINAL APPROVAL	
		M/L	
		DATE	
		DRAFTS/CHECKER	
		ENG. APP.	
		SCALE	
		CODE	
		DESCRIPTION	
		UNLESS OTHERWISE SPECIFIED DIMENSIONS ARE IN INCHES AND INCLUDE CHEMICALLY APPLIED OR PLATED FINISHES	
		TOLERANCES	
		FRACTIONS	
		DECIMALS	
		TMC FORM 108-A REPROVAL NO. 440H 23845	